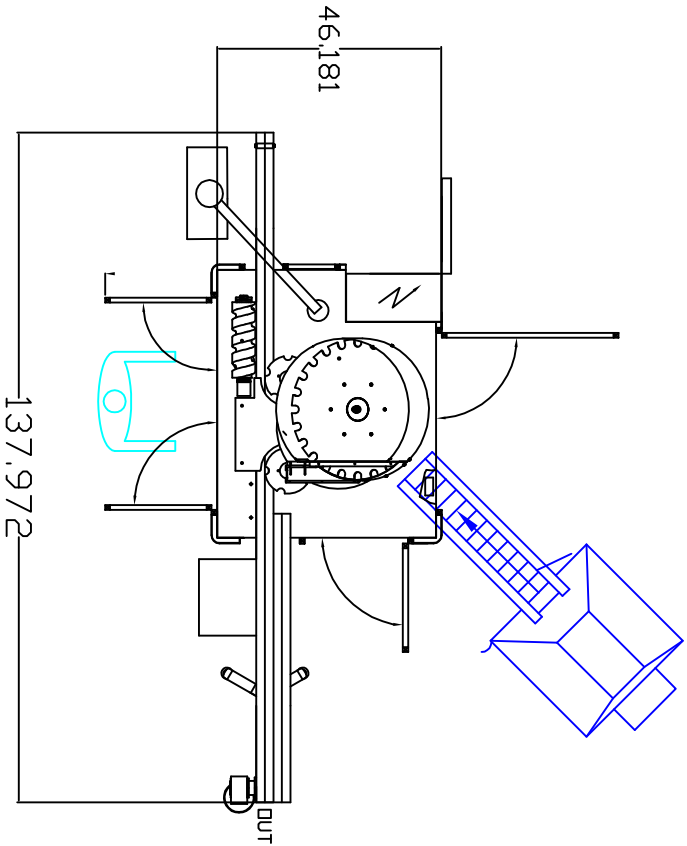


REV. A	DESCRIPTION	DATE	APPROVED
--------	-------------	------	----------



PROJECT: P	PROJECT: P	DIMENSIONS ARE IN INCHES:		TITLE:	SIZE:	REV:
DESIGN: SYLVAIN G	PROJECT: P	TOLERANCES UNLESS SPECIFIED:	±.01	BORGQ CAPPER	B	A
DATE: 05/15/2015	MAT:	±.05	±.01	SCALE: 1:1	DO NOT SCALE DIMS	SHEET 1 OF 1
PROPERTY AND CONFIDENTIAL INFORMATION OF THE STATE PROJECTS ENGINEERING AS ANY INFORMATION CONTAINED HEREIN IS UNCLASSIFIED AND FOR RELEASE TO THE PUBLIC.	PROFILE: X	±.005	±.005	SCALE: 1:1	DO NOT SCALE DIMS	SHEET 1 OF 1
	STOCK SIZE: X	THREE PLACE DECIMAL	THREE PLACE DECIMAL			
		TOLERANCING PER	PROJECTION			
		QUANTITY:	WEIGHT:			
		P/D				

8 7 6 5 4 3 2 1