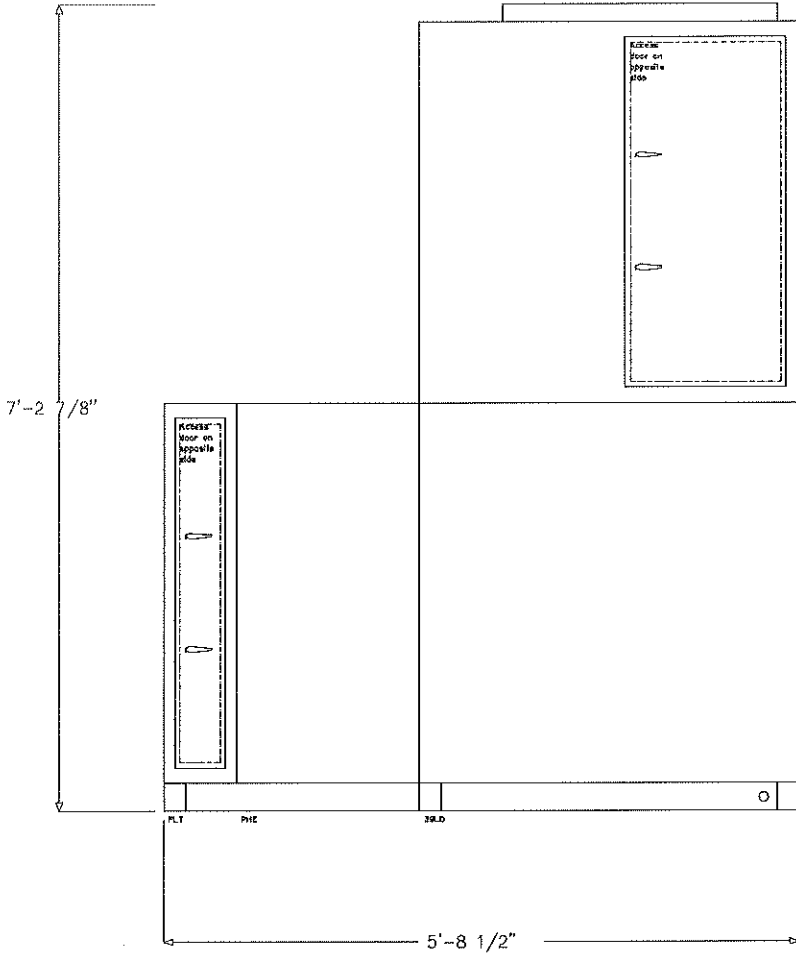


Mark for: AHJ-2 39L
 Job name: Gulf Coast Federal Credit Union



CARRIER
 A United Technologies Company
 P.O. Box 4000
 Syracuse, NY 13221

This document is the property of Carrier. It is loaned to you for your use only. It is not to be distributed or used without the written consent of Carrier. Reproduction is strictly prohibited.

Substitution of items, materials, or methods of construction without the written consent of Carrier is strictly prohibited.

39L

Date:
03/28/17

AHU Builder Version:
v6.52 03/14/17
 SDH Version:
6.30

39L Central Station Air Handler
 39L D18ABMAR-BKP152, Size 1B, LH Unit, (Side View)
 , Insulation: 1in., 3/4" Foil Liner



CARRIER

A United Technologies Company

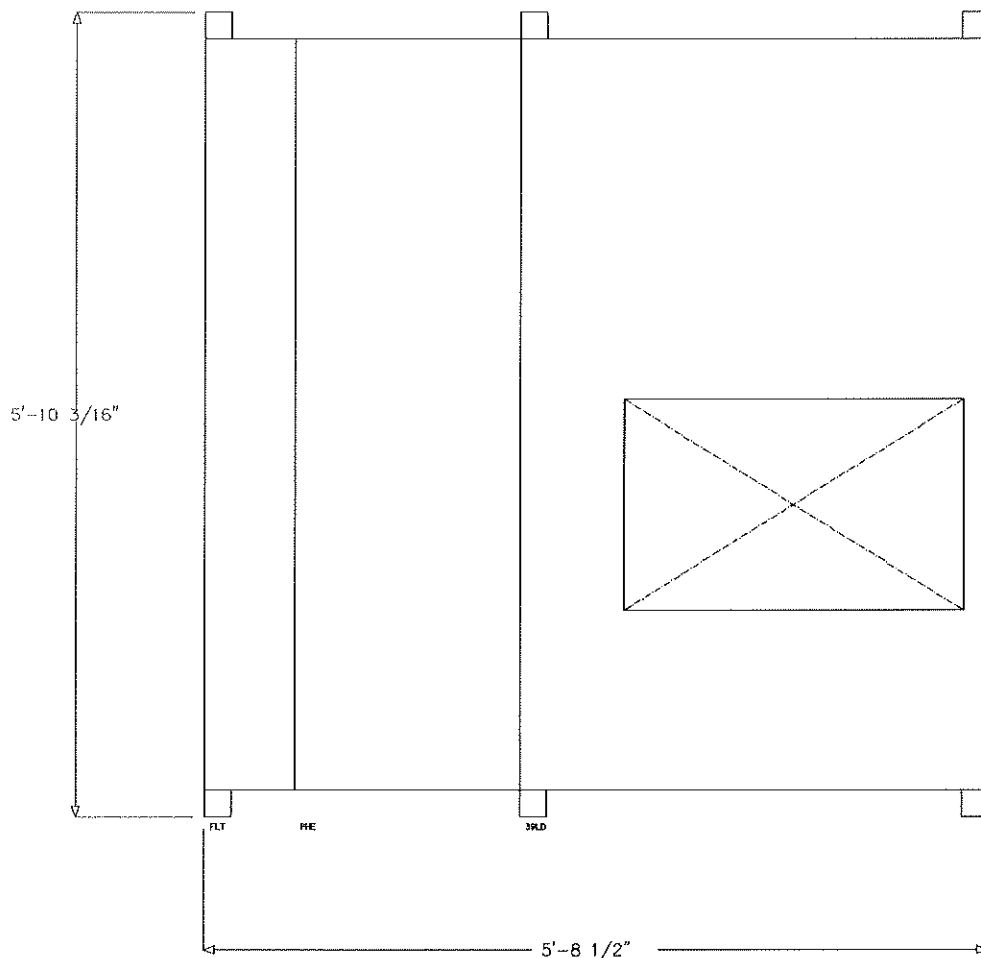
P.O. Box 1000
Greenville, SC 29602

This document is the property of Carrier. It is loaned to you for your use only. It is not to be distributed outside the project site. All drawings are subject to change without notice.

Submittal of this drawing for review is not a warranty of performance or installation of equipment.

39L

Mark for: AHJ-2 39L
Job name: Gulf Coast Federal Credit Union



Date:
03/28/17

AHJ Builder Version:
v6.52 03/14/17
SDM Version:
0.30

39L Control Station Air Handler
39LD1BAMAR-BKPI152, Size 15, LH Unit, (Top View)
. Insulation: 1in, 3%, Foil Liner