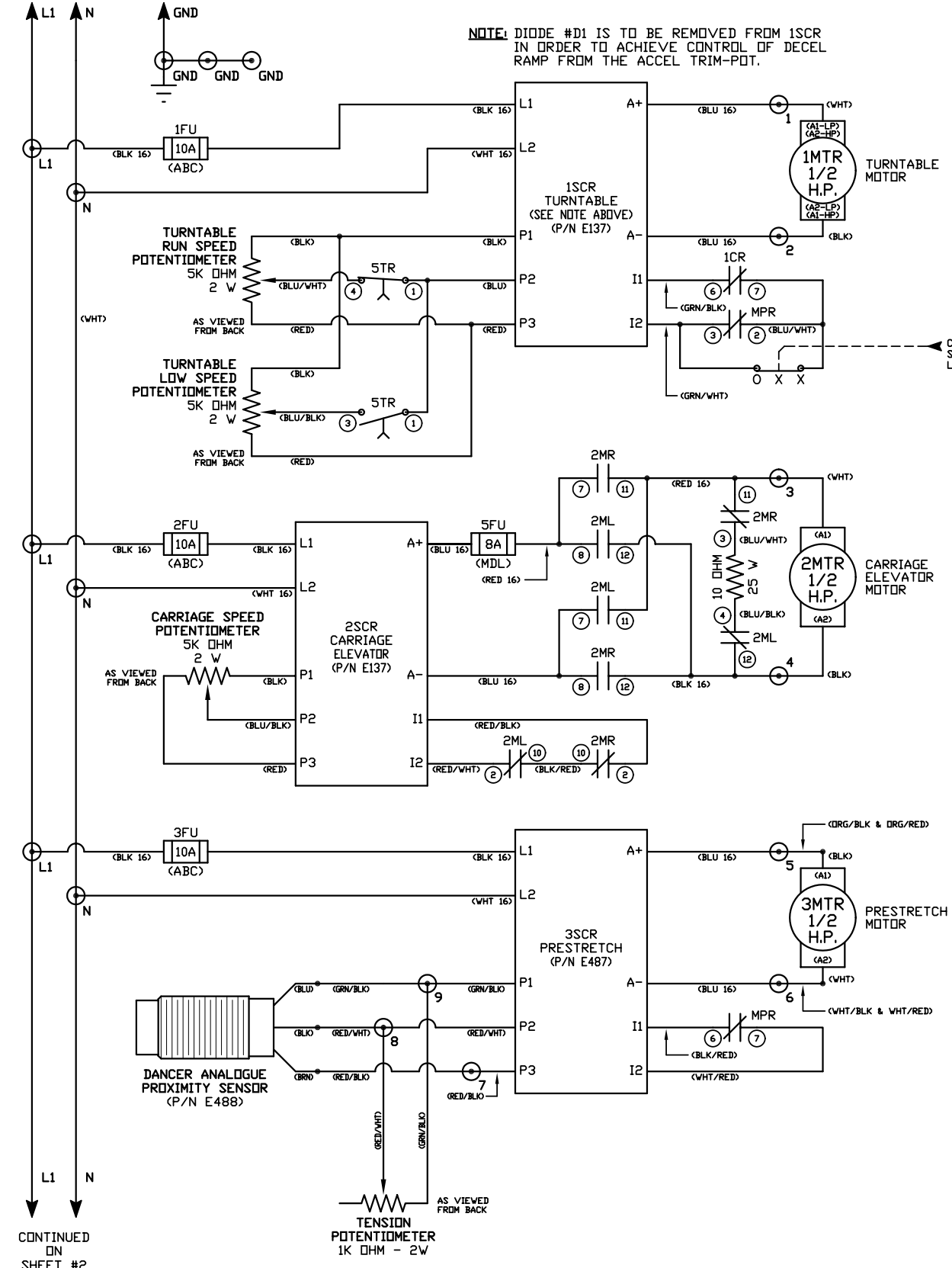


120 VOLTS/1 PHASE/60 Hz.
15 AMP SUPPLY REQUIRED

NOTE: DIODE #D1 IS TO BE REMOVED FROM 1SCR IN ORDER TO ACHIEVE CONTROL OF DECEL RAMP FROM THE ACCEL TRIM-POT.



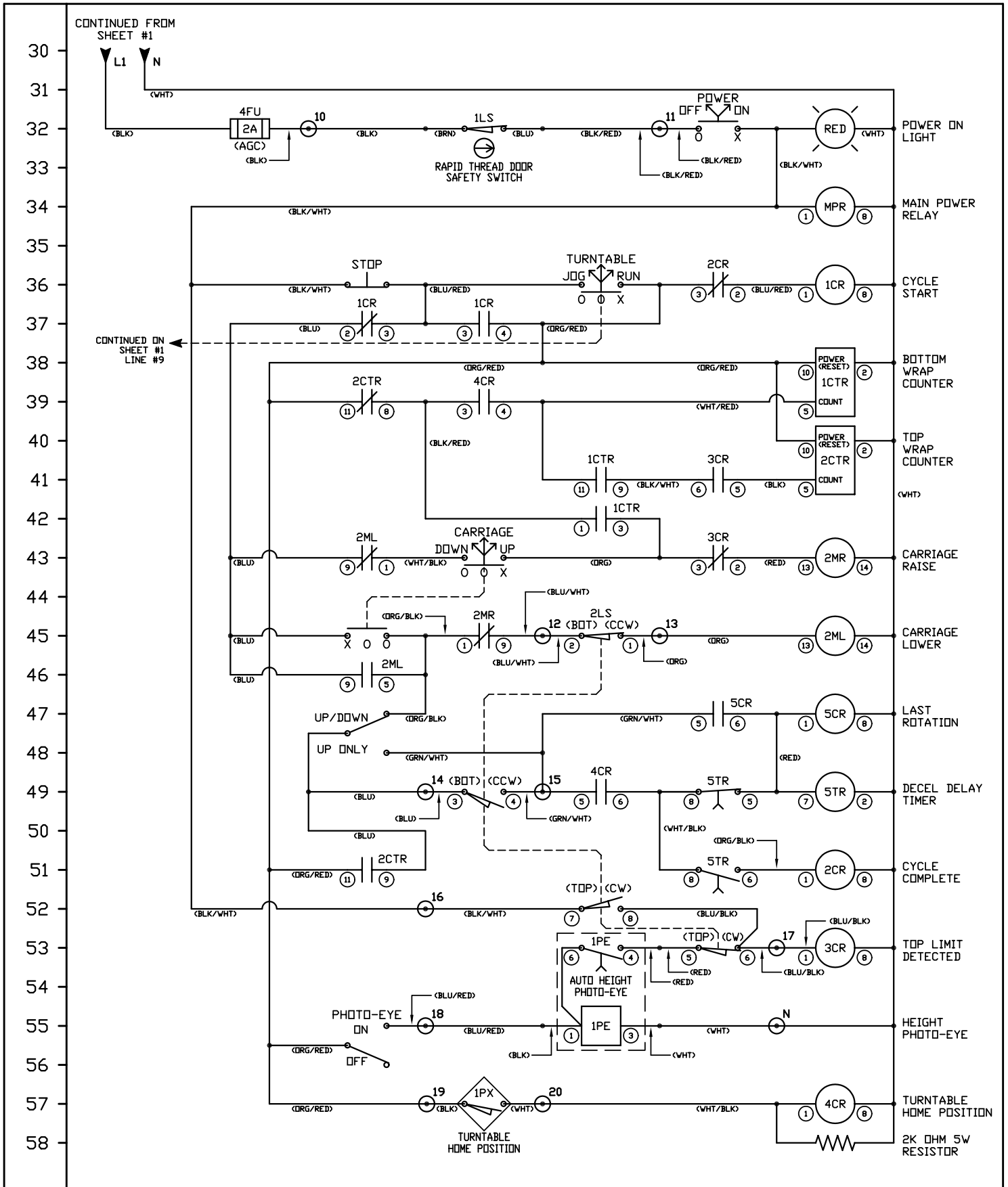
CONTINUED FROM SHEET #2 LINE #36

CONTINUED ON SHEET #2

**COUSINS
PACKAGING**

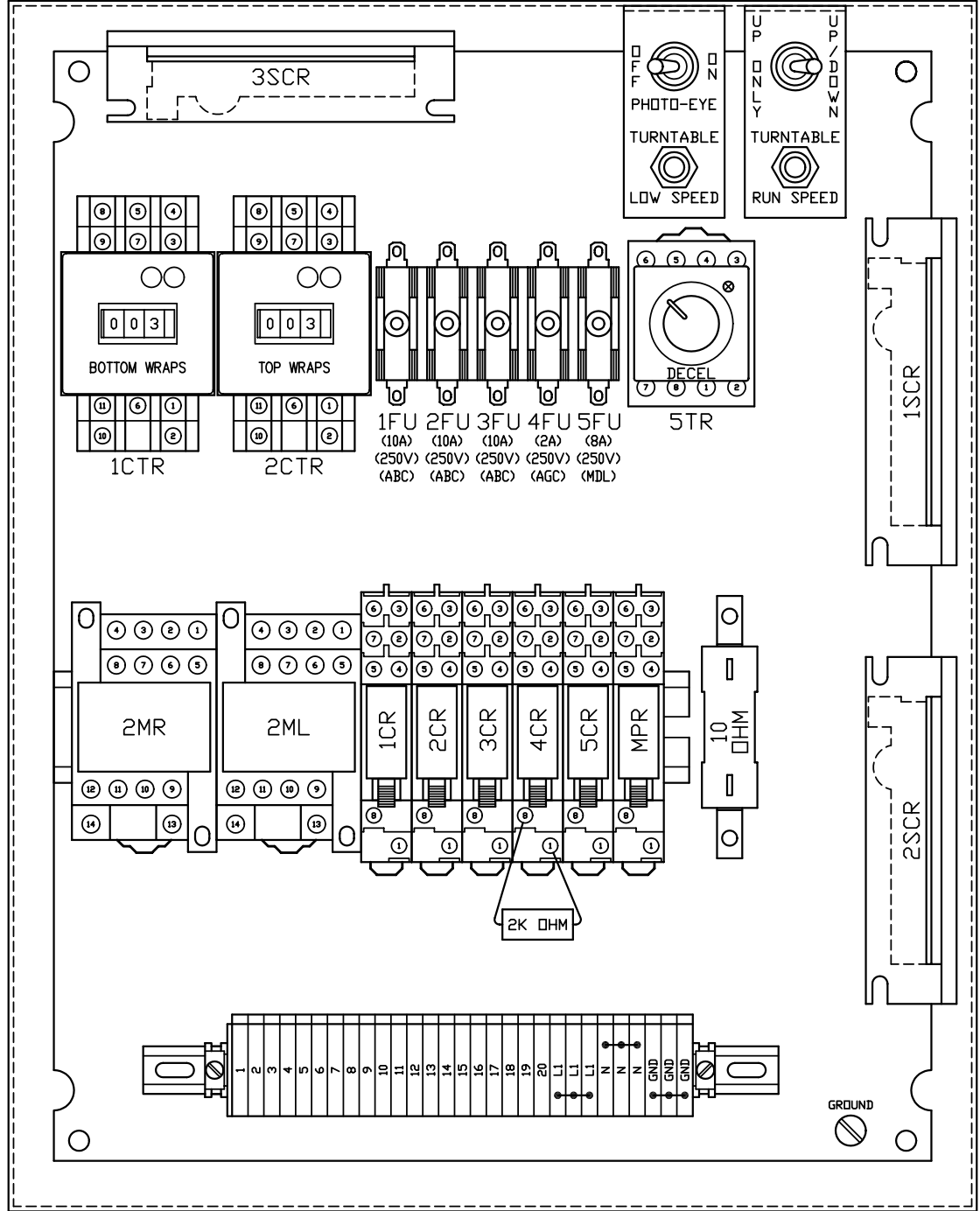
SCALE: NOT TO SCALE
DATE: SEPT. 25, 1998
DWN. BY: RMP | CHK. BY:
REV. BY: RMP DATE: 99-03-25

TITLE: LP/HP 2100 STRETCH WRAP MACHINE c/w COUNTERS & POSITIVE ALIGNMENT - ELECTRICAL SCHEMATIC
DWG. No. E2100-030
SHT. No. 1 OF 4
REV. No. 2



<h1>COUSINS PACKAGING</h1>	SCALE: NOT TO SCALE		TITLE: LP/HP 2100 STRETCH WRAP MACHINE c/w COUNTERS & POSITIVE ALIGNMENT - ELECTRICAL SCHEMATIC				
	DATE: SEPT. 25, 1998						
	DWN. BY: RMP	CHK. BY:	DWG. No.	E2100-030		SHT. No.	REV.
	REV. BY: RMP DATE: 99-03-25					2 OF 4	No. 2

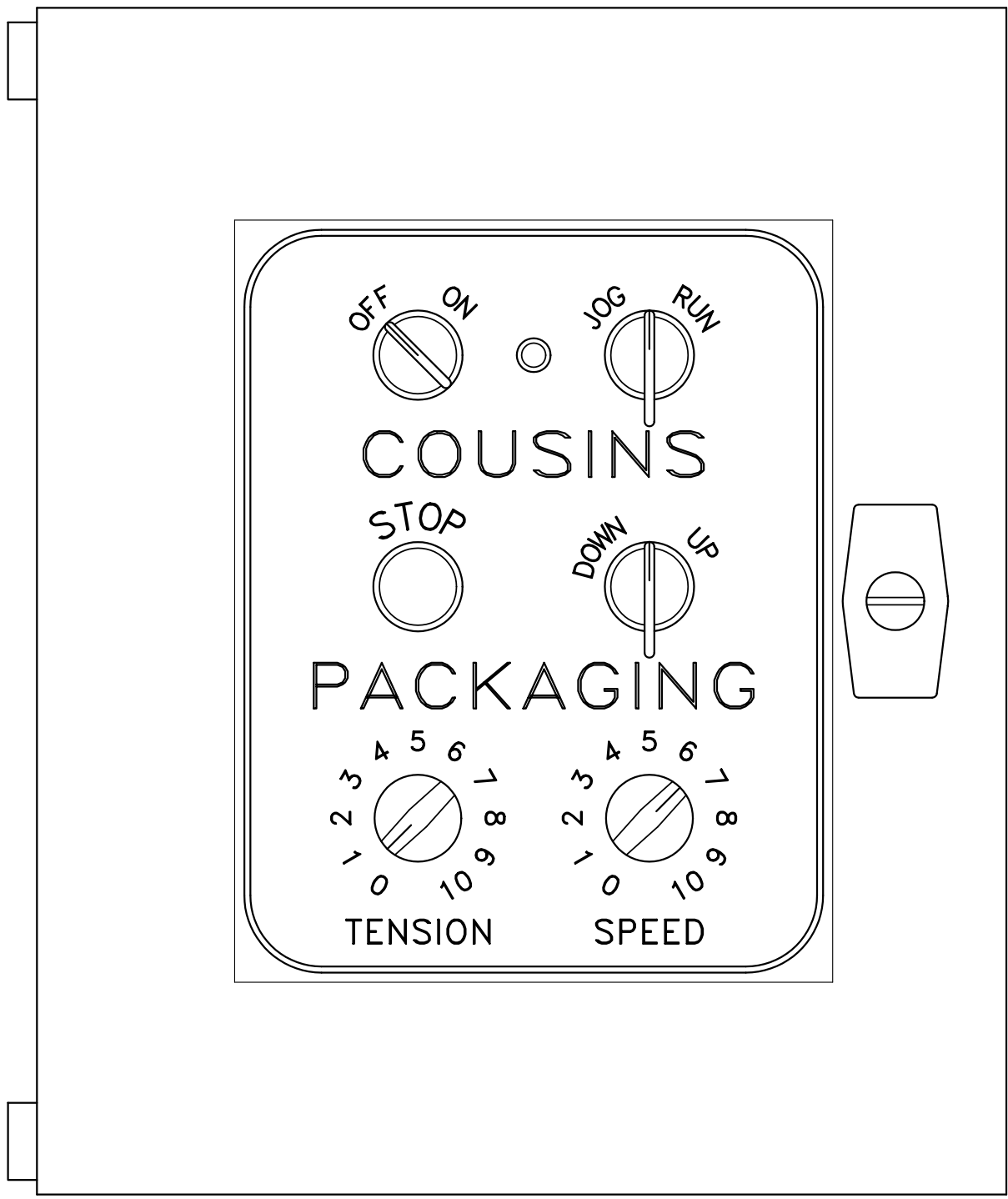
59
60
61
62
63
64
65
66
67
68
69
70
71
72
73
74
75
76



1FU 2FU 3FU 4FU 5FU
 (10A) (10A) (10A) (2A) (8A)
 (250V) (250V) (250V) (250V) (250V)
 (ABC) (ABC) (ABC) (AGC) (MDL)

COUSINS PACKAGING	SCALE: NOT TO SCALE		TITLE: LP/HP 2100 STRETCH WRAP MACHINE c/w COUNTERS & POSITIVE ALIGNMENT - INNER PANEL LAYOUT		DWN. BY: RMP	CHK. BY:	DWG. No. E2100-030	SHT. No. 3 OF 4	REV. No. 2	
	DATE: SEPT. 25, 1998									
	REV. BY: RMP DATE: 99-03-25									

77
78
79
80
81
82
83
84
85
86
87
88
89
90
91
92
93
94



**COUSINS
PACKAGING**

SCALE: NOT TO SCALE	
DATE: SEPT. 25, 1998	
DWN. BY: RMP	CHK. BY:
REV. BY: RMP DATE: 99-03-25	

TITLE: LP/HP 2100 STRETCH WRAP MACHINE c/w COUNTERS & POSITIVE ALIGNMENT - PANEL DOOR LAYOUT		SHT. No.	REV.
DWG. No.	E2100-030	4 OF 4	2