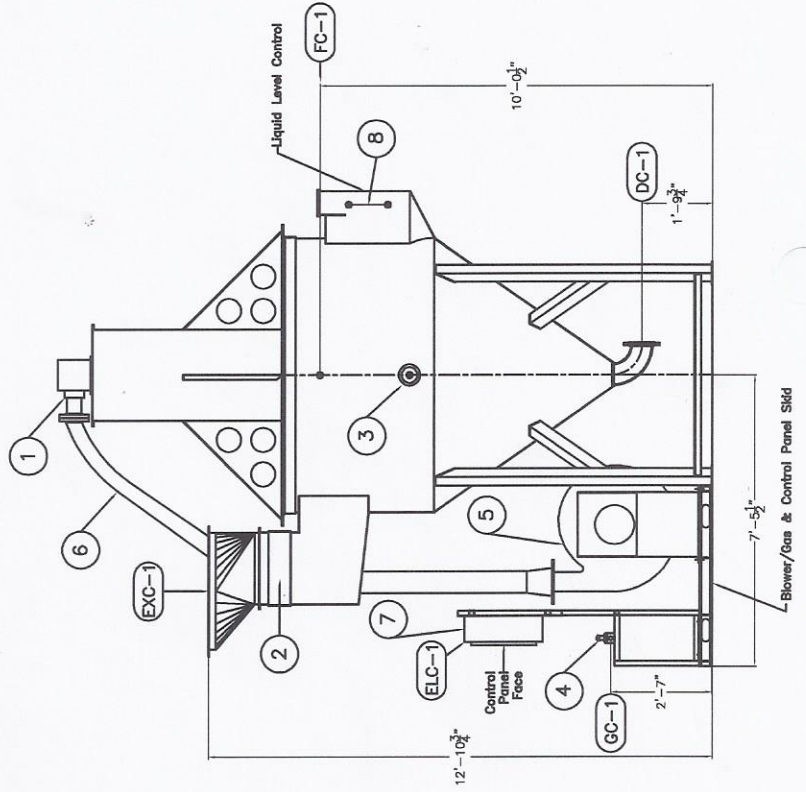
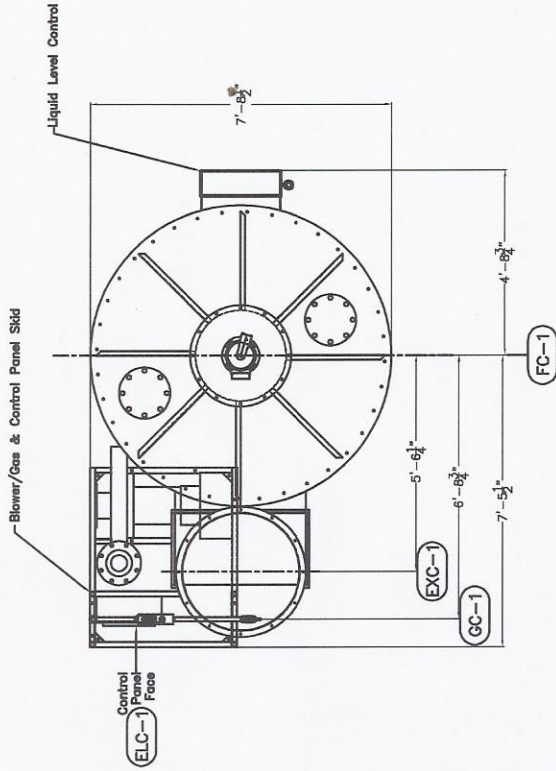
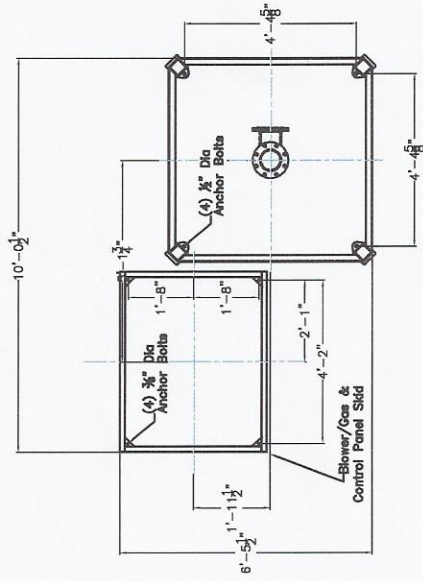


1	Burner
2	Exhaust Mist Pad
3	Temperature Probe
4	Gas Train Assembly
5	Combustion Air Blower
6	Combustion Air Line
7	Control Panel
8	Sight Glass



SYSTEM FOOTPRINT



EXC-1	36" Exhaust Connection	(16) 7/16" Dia Holes Eq. Spaced on 38 3/8" BC
GC-1	Gas Service Connection 2" FNPT Connection	3000 CFH @ 5 PSI Minimum Requirements
ELC-1	Electrical Service	460VAC-3 Phase 60Hz-50Amps
DC-1	Drain Connection	6" x150# Flange
FC-1	Influent Connection	3/4" FNPT Connection

DESCRIPTION:

ECOLOGIX ENVIRONMENTAL SYSTEMS LLC
MODEL 300 EVAPORATOR SO# 6100

DRAWN BY GM

SCALE: NTS

DWG NO.

Date: 6-3-07 SHEET 1 OF 1

MAT: X

OGPH-TOP