

HOPKINSONS

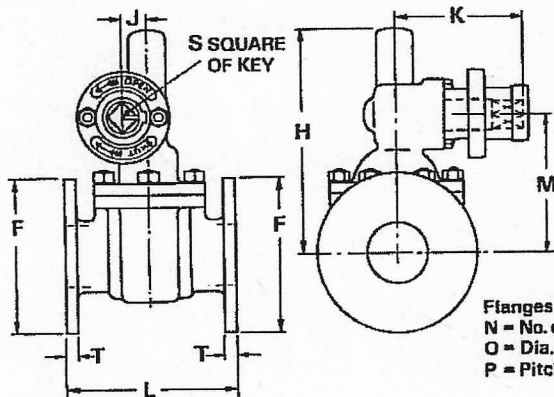
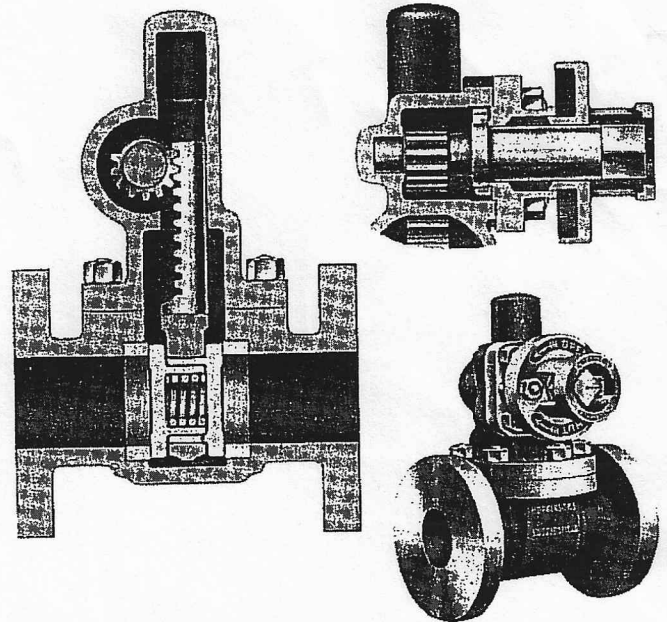
PARALLEL SLIDE BLOWDOWN VALVES (BRONZE)

This key operated valve embodies the design advantages of the parallel slide gate valve. The valve is also recommended as an economiser blowdown valve.

DESIGN — Easy operation of the rack and pinion mechanism is by means of a removable box key which requires only half a turn for full operation. Positive stops limit the rotary movement of the pinion and prevent straining of the rack/pinion teeth. A guard is incorporated on the gland to prevent removal of the box key unless the valve is in the closed position. Joints and gland packings are of non-asbestos material.

BODY MATERIAL — The body and cover are of bronze.

TRIM — Seating components are of high grade nickel alloy (Hopkinsons 'Platnam'). The belt (rack) is gunmetal and the pinion is of aluminium bronze.



Flanges drilled:
N = No. of holes
O = Dia. of holes
P = Pitch Circle Dia.

When ordering, please state the following:

1. Working conditions.

2. Box Key requirements.

Please note, a key is not included with the valve and must be ordered specifically as required. See overleaf for details. It is usual to have only one key for two or more valves at the same location.

FLANGED BS 4504/321

Figure Number	M254016	PRESSURE/TEMPERATURE RATINGS								DIMENSIONS											
		Temperature °C	150	180	200	220	250	260	Nom. Size	F	T	N	O	P	L	H	M	J	S	K	Weight
		-18 to 120	150	180	200	220	250	260	40	150	9	4	18	110	165	175	103	19	19	118	11 kg
		Pressure bar	16	16	16	13.5	11.3	8	mm	57	3/8	4	1 1/8	4 1/8	6 1/2	6 3/4	4 1/16	3/8	3/8	4 3/8	24 lb
		Temperature °F	0 to 248	302	356	392	428	482	50	165	11	4	18	125	184	210	127	22	22	137	18 kg
		Pressure lb/in ²	232	232	232	196	164	116	in	6 1/2	7/8	4	1 1/8	4 1/8	7 1/4	8 1/4	5	7/8	7/8	5 1/8	40 lb
		PN 16 Flanges																			
		Temperature °C	-18 to 120	150	180	200	220	250	40	150	11	4	18	110	190	175	103	19	19	118	11.5 kg
		Pressure bar	25	25	25	21.2	17.5	12.2	mm	57	7/8	4	1 1/8	4 1/8	7 1/4	6 3/4	4 1/16	3/8	3/8	4 3/8	25 lb
		Temperature °F	0 to 248	302	356	392	428	482	50	165	11	4	18	125	206	210	127	22	22	137	18.5 kg
		Pressure lb/in ²	362	362	362	307	254	177	in	6 1/2	7/8	4	1 1/8	4 1/8	8 1/4	8 1/4	5	7/8	7/8	5 1/8	41 lb
		PN 25 Flanges																			

FLANGED BS 10

Figure Number	M254016	PRESSURE/TEMPERATURE RATINGS								DIMENSIONS											
		Temperature °C	149	177	204	232	260	Nom. Size	F	T	N	O	P	L	H	M	J	S	K	Weight	
		-18 to 121	149	177	204	232	260	40	140	11	4	18	105	165	175	103	19	19	118	11 kg	
		Pressure bar	20.7	20.7	20.7	16.9	13.4	mm	5 1/2	7/8	4	1 1/8	4 1/8	6 1/2	6 3/4	4 1/16	3/8	3/8	4 3/8	24 lb	
		Temperature °F	0 to 250	300	350	400	450	50	165	11	4	18	127	184	210	127	22	22	137	17.7 kg	
		Pressure lb/in ²	300	300	300	245	195	in	6 1/2	7/8	4	1 1/8	5	7 1/4	8 1/4	5	7/8	7/8	5 1/8	39 lb	
		Flanges to Table 'F'																			
		Temperature °C	-18 to 121	149	177	204	232	260	40	140	13	4	18	105	190	175	103	19	19	118	11.5 kg
		Pressure bar	34.5	34.5	34.5	28.3	22.7	mm	5 1/2	1/2	4	1 1/8	4 1/8	7 1/4	6 3/4	4 1/16	3/8	3/8	4 3/8	25 lb	
		Temperature °F	0 to 250	300	350	400	450	500	50	165	13	4	18	127	206	210	127	22	22	137	18.5 kg
		Pressure lb/in ²	500	500	500	410	330	250	in	6 1/2	1/2	4	1 1/8	5	8 1/4	8 1/4	5	7/8	7/8	5 1/8	41 lb
		Flanges to Table H																			

Intermediate values can be obtained by linear interpolation.

See over