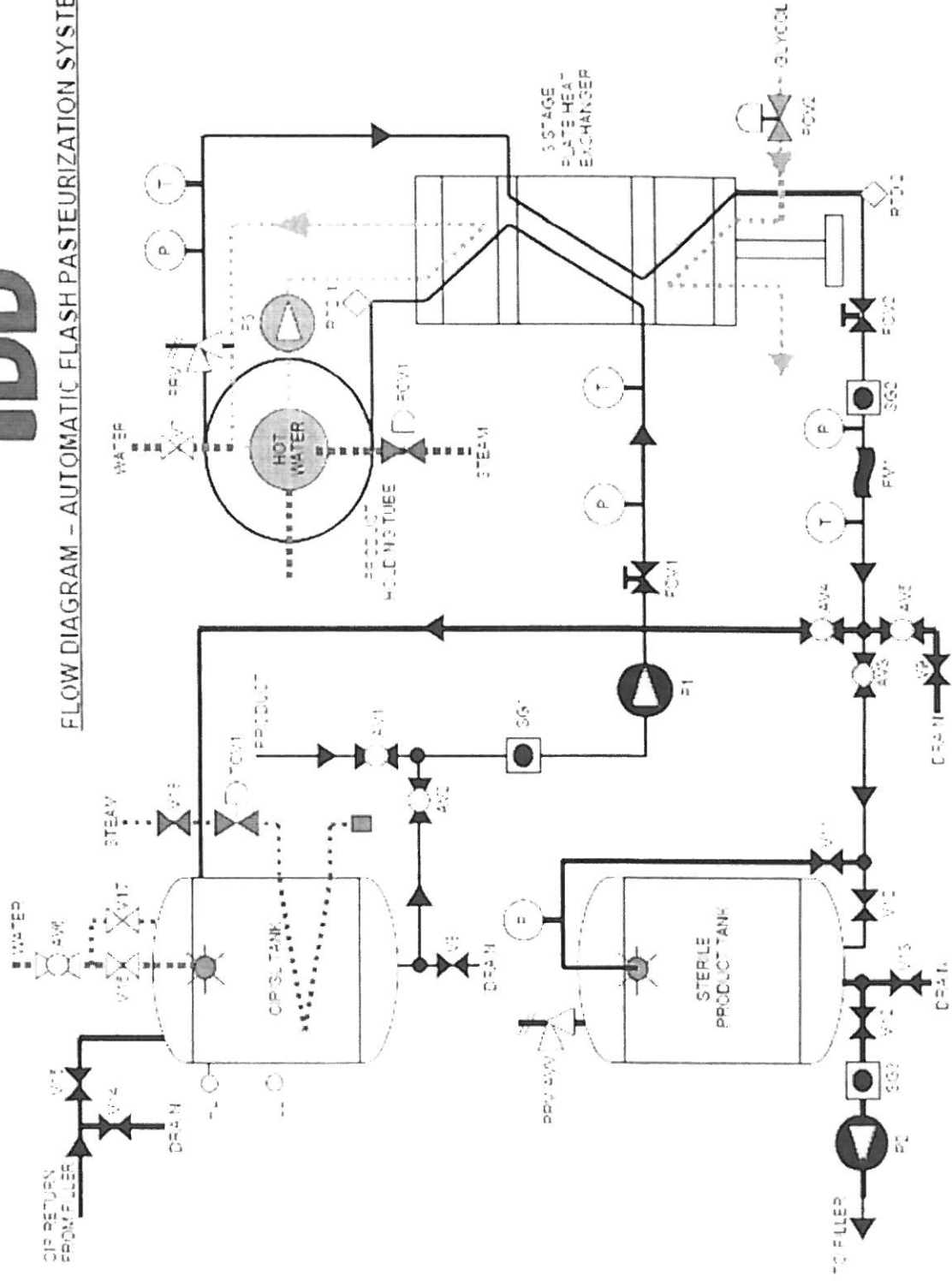


# CONTROL PHILOSOPHY – AUTOMATIC FLASH PASTEURIZER

**IDD**

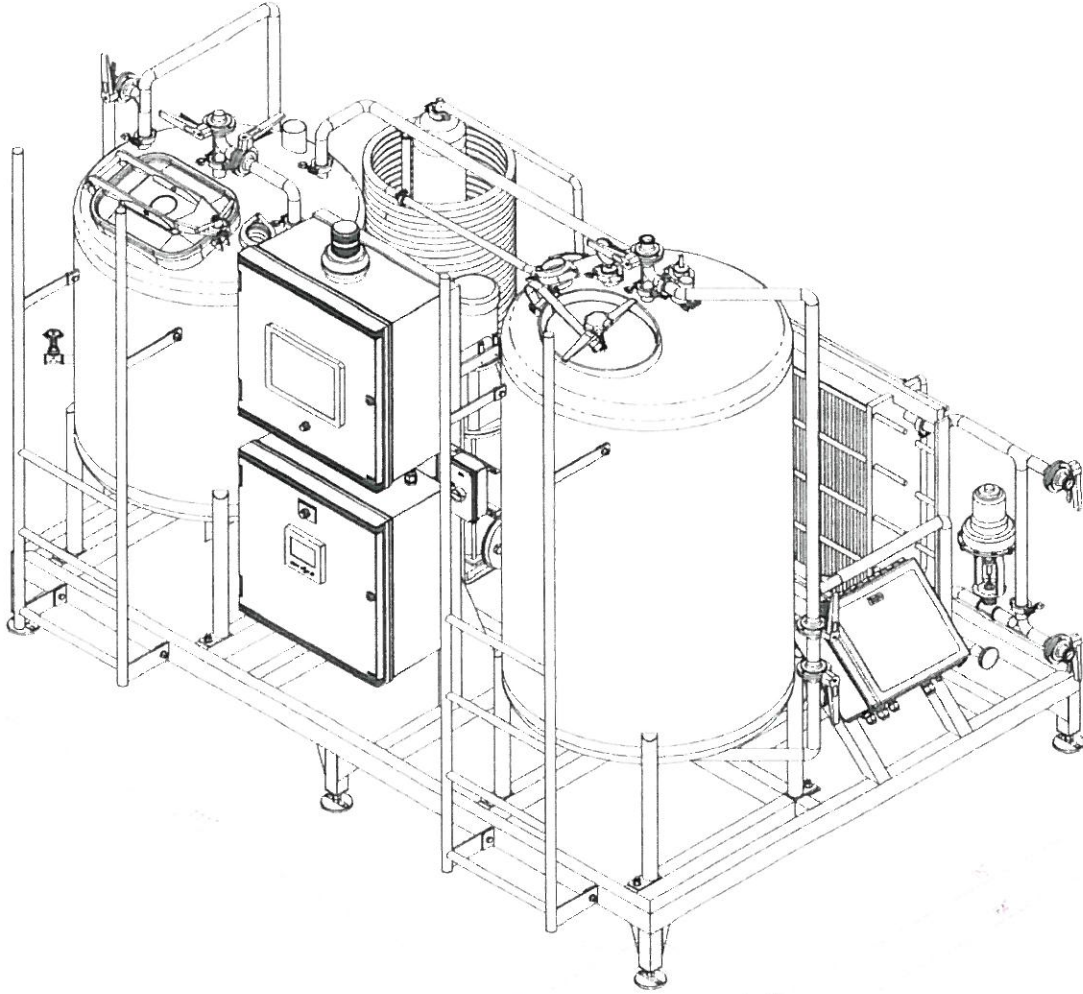
FLOW DIAGRAM – AUTOMATIC FLASH PASTEURIZATION SYSTEM





**Process & Packaging, Inc.**

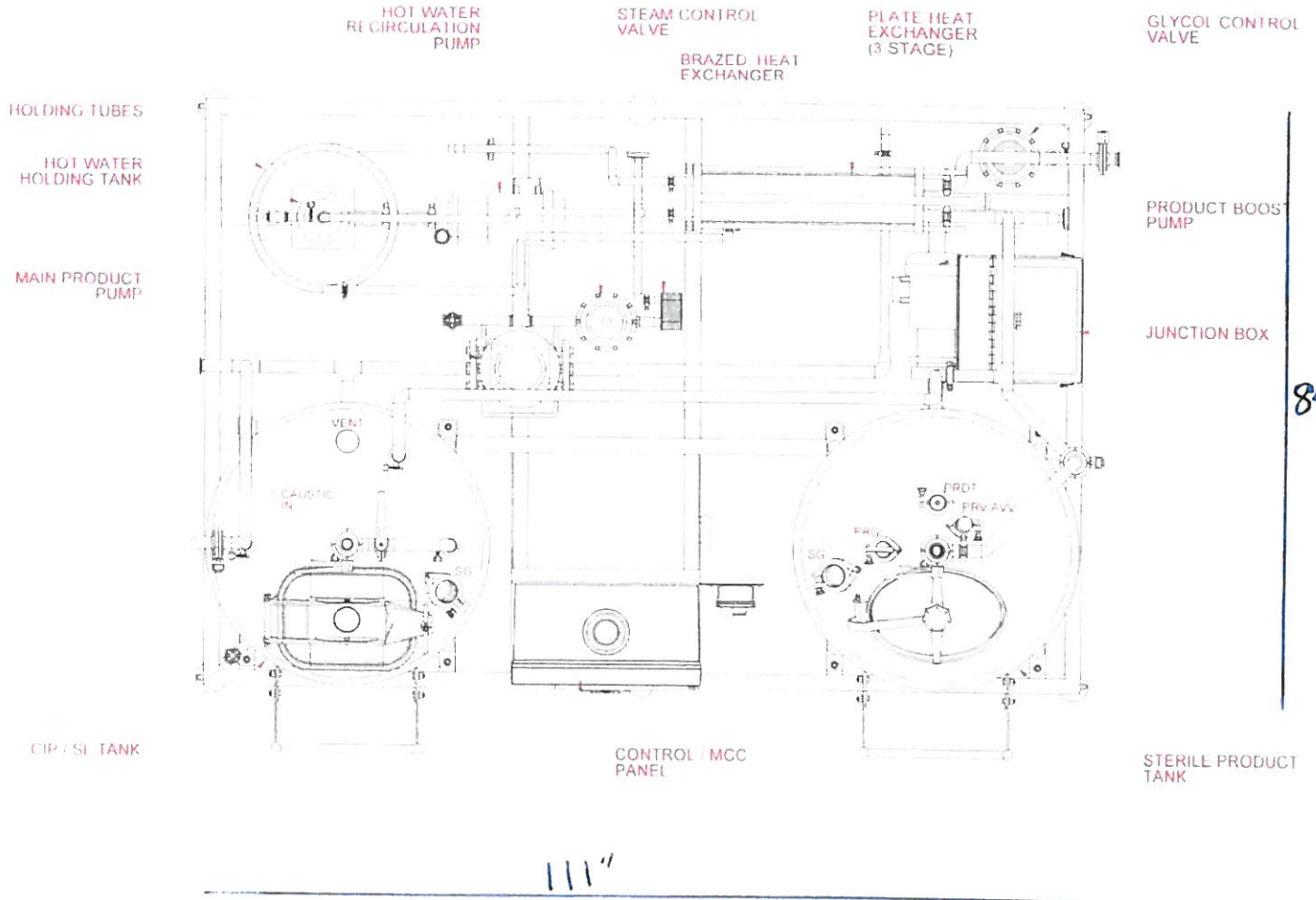
**FLASH PASTEURIZER "FP2"  
DIMENSIONS**





**Process & Packaging, Inc.**

**FLASH PASTEURIZER "FP2"  
LAYOUT**

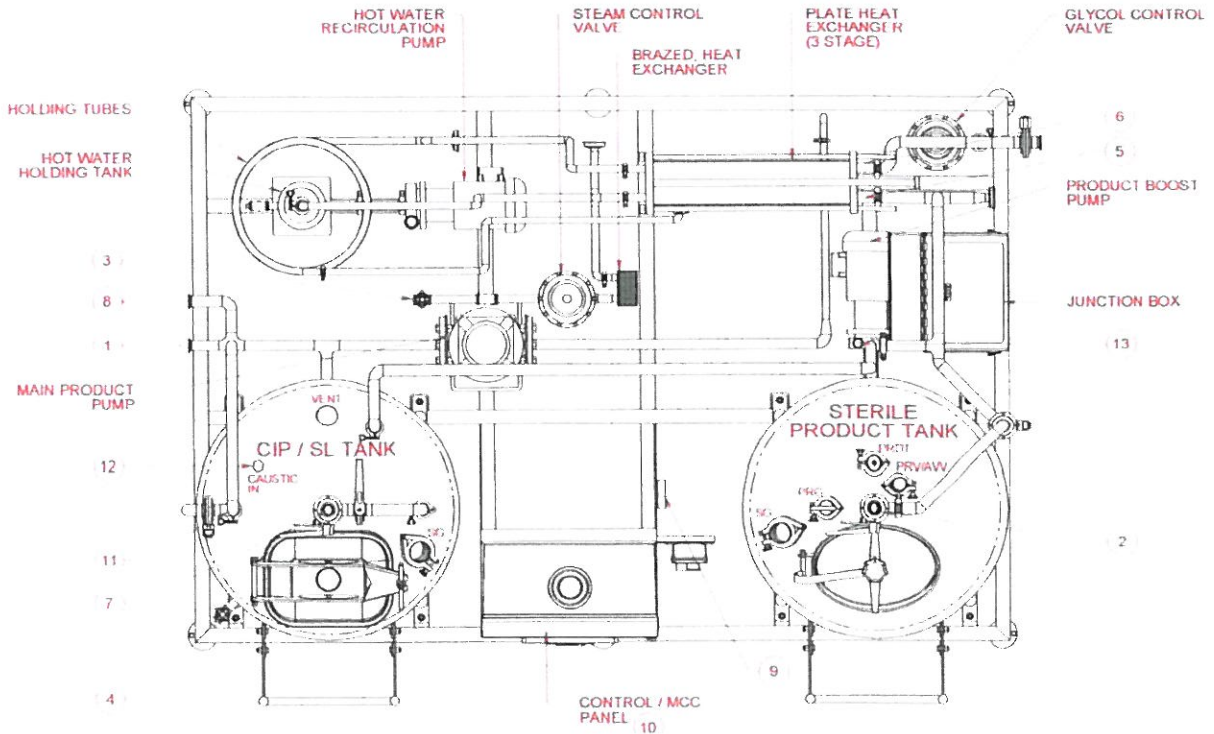


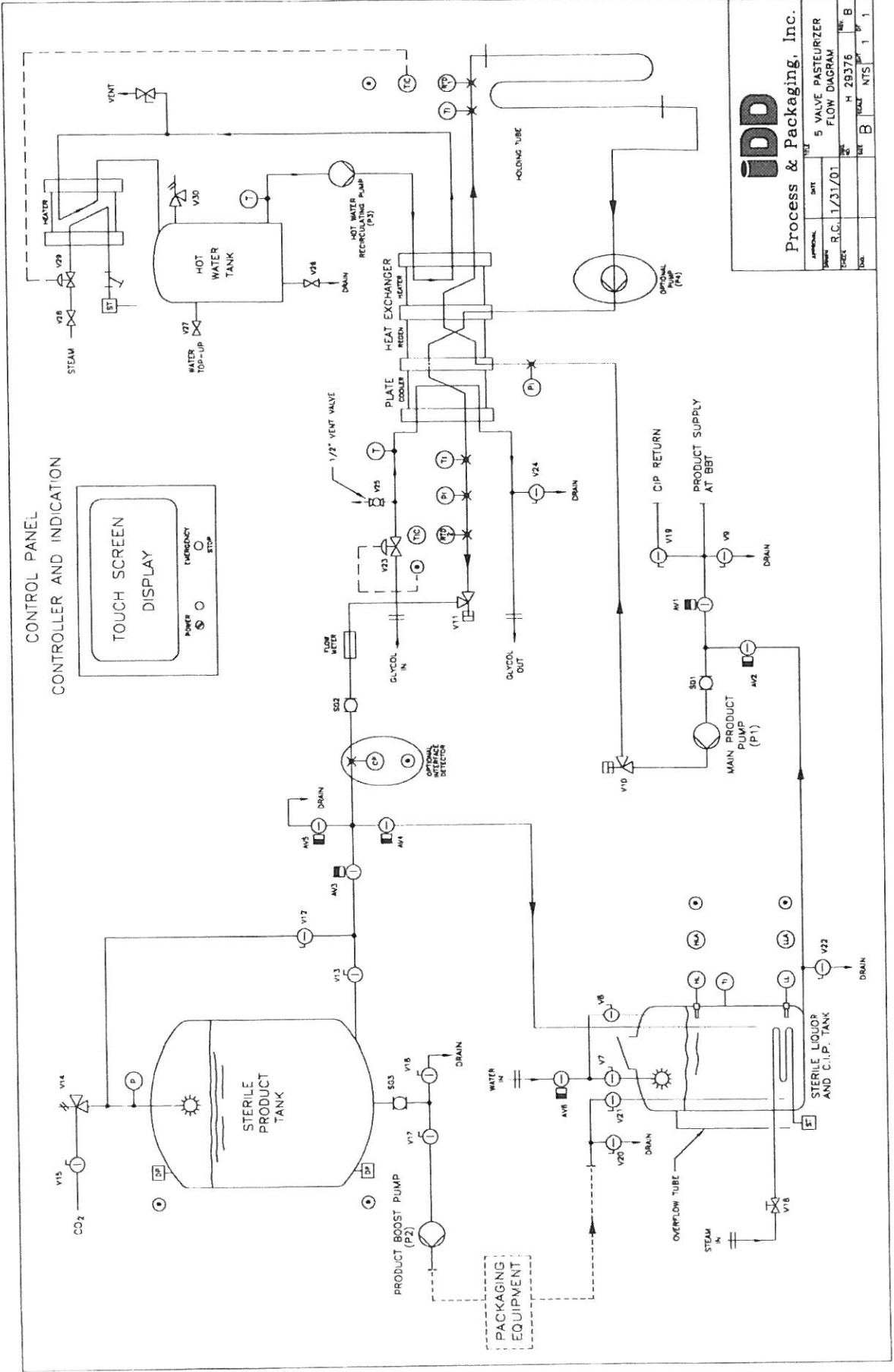


**Process & Packaging, Inc.**

**FLASH PASTEURIZER "FP2"  
SERVICES**

LINE	DESCRIPTION	PRESSURE BAR	CONSUMPTION	FLOW RATE	COMMENTS	CONNECTION
1	PRODUCT	1	30 HL/HR (792.5 GAL/HR)	30 HL/HR (792.5 GAL/HR)	1° C	1" O/D TUBE
2	CO2 (STERILE PRODUCT TANK)	1	-	0.015 M3/HR	-	1/2" N/B PIPE
3	STEAM (HOT WATER SET)	2.0	45 KG/HR	74.4 KG/HR	10 MICRON FILTERED	1" N/B PIPE
4	STEAM (CIP/SL TANK)	2.0	-	60 KG/HR	-	1/2" N/B PIPE
5	GLYCOL IN (HEAT EXCHANGER)	3.0	42 HL/HR (1,110 GAL/HR)	60 HL/HR (1,585 GAL/HR)	-2.2° C	1.25 N/B PIPE
6	GLYCOL OUT (HEAT EXCHANGER)	2.4	42 HL/HR (1,110 GAL/HR)	60 HL/HR (1,585 GAL/HR)	3.3° C	1.25 N/B PIPE
7	WATER (SP TANK)	2.8	-	42 HL/HR (1,110 GAL/HR)	-	3/4" N/B PIPE
8	CIP RETURN	-	-	-	PRODUCT SUPPLY MAIN	1.5" O/D TUBE
9	INSTRUMENT AIR	5.7	-	0.4 M3/HR	-	1/4" N/B PIPE
10	POWER	240/480-3-60	40/20 A	-	-	-
11	CIP RETURN (CIP/SL TANK)	-	-	-	FROM PACKAGING	1" O/D TUBE
12	CAUSTIC (CIP/SL TANK)	-	-	-	DOSING	1/2" N/B PIPE
13	PRODUCT OUT (PASTEURIZED)	2.5	30 HL/HR (792.5 GAL/HR)	30 HL/HR (792.5 GAL/HR)	1° C	1" O/D TUBE





**IDD**  
Process & Packaging, Inc.

REV	DATE	BY	CHKD
1	1/31/01	H	29376
TITLE		5 VALVE PASTEURIZER FLOW DIAGRAM	
REV	DATE	BY	CHKD
B		NTS	