

Ingersoll rand turbo air compressor

Centac Compressor C310 MX Serial No V5969

10,000 CFM

Intake Capacity M3/Min 311.5

Intake Pressure .95 Bar

Discharge Pressure 9.46 Bar (134 PSI)

Intake Temp 25 C

Cooling Temp 30 C

Relative Humidity 60

Cooling Flow L/Min 2016

Weight Kg 32640

Dimensions 6.6x3.1x3.3m

Motor

ABB Drive

1800Kw

6.6 Volt

50Hz

1450 RPM

Standard Features

100 % OIL-FREE Air

Advanced Turbo Technology

Simple & Conservative Design

Fewest Moving Parts

Well-Proven Robust Construction

High Reliability & Long Lifetime

Low Maintenance Requirements

Low Operating Costs

State of the Art Control System

Constant Pressure Control for:

- Stable System Pressure
- High Efficiency at Part Load
- Smooth Operation

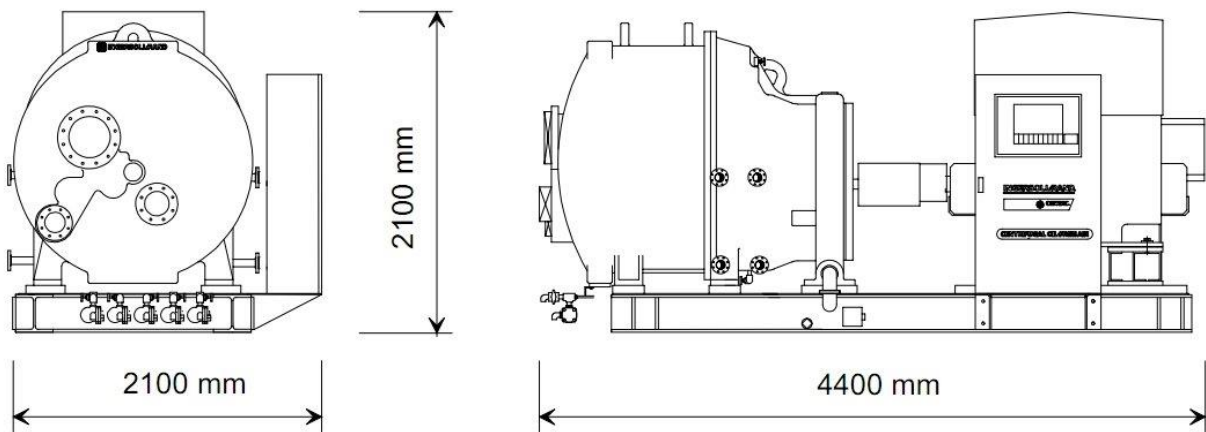
Quiet Running

Built to Strict Quality Standards

Simple & Low Cost Installation

Over 16 000 CENTACs Worldwide

Worldwide Service Parts And Support



Standard Scope of Supply Includes :

- Complete Tested Package
- Built In Lubrication and Cooling Systems
- Baseplate Package for Flexible Design
- Complete Control, Protection and Diagnostic System
- Foot-Mounted Motor 3.0 kV /3 ph/50 Hz.
- Inlet Air Filter & By-Pass Silencer mounted separately.