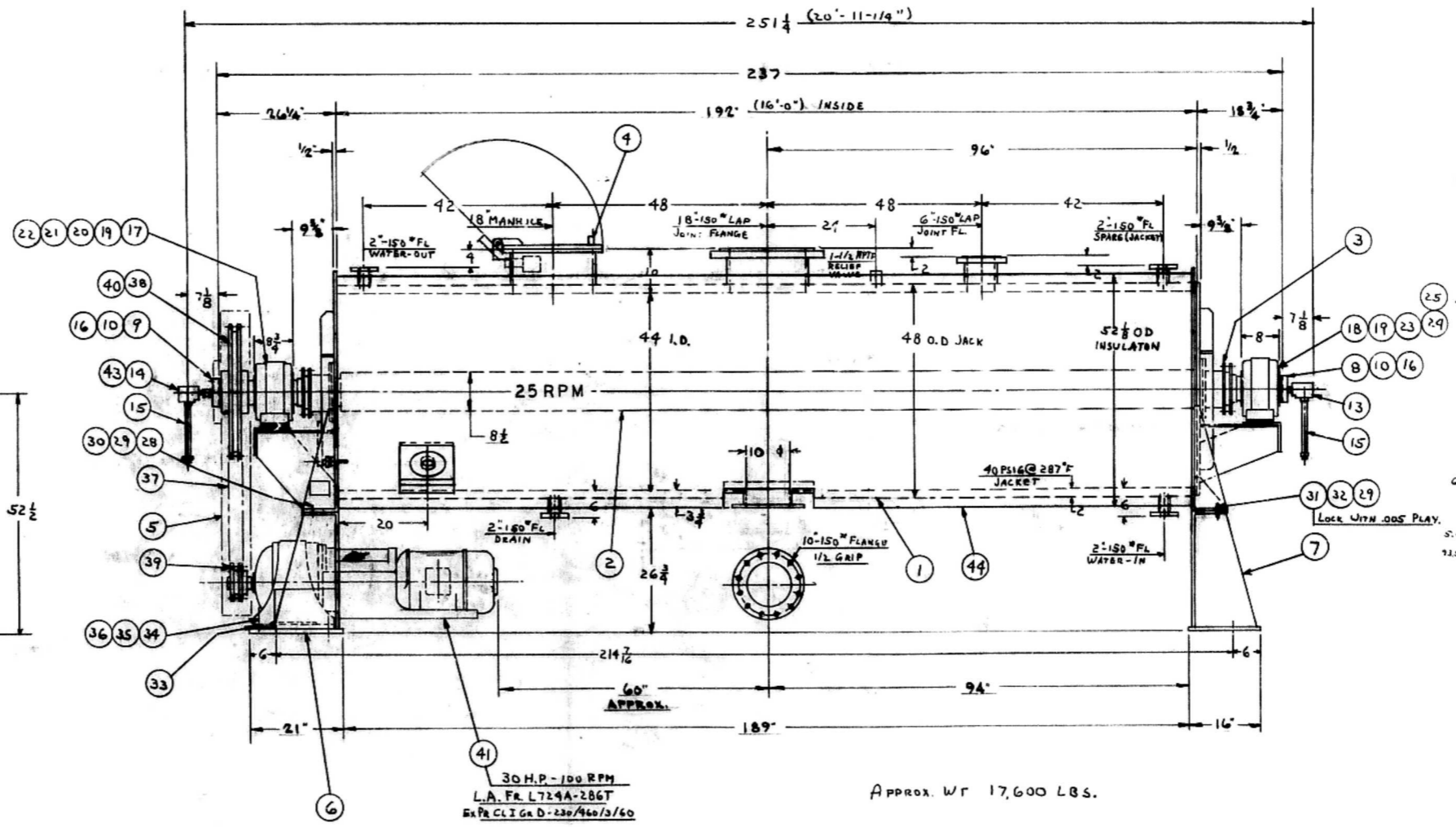
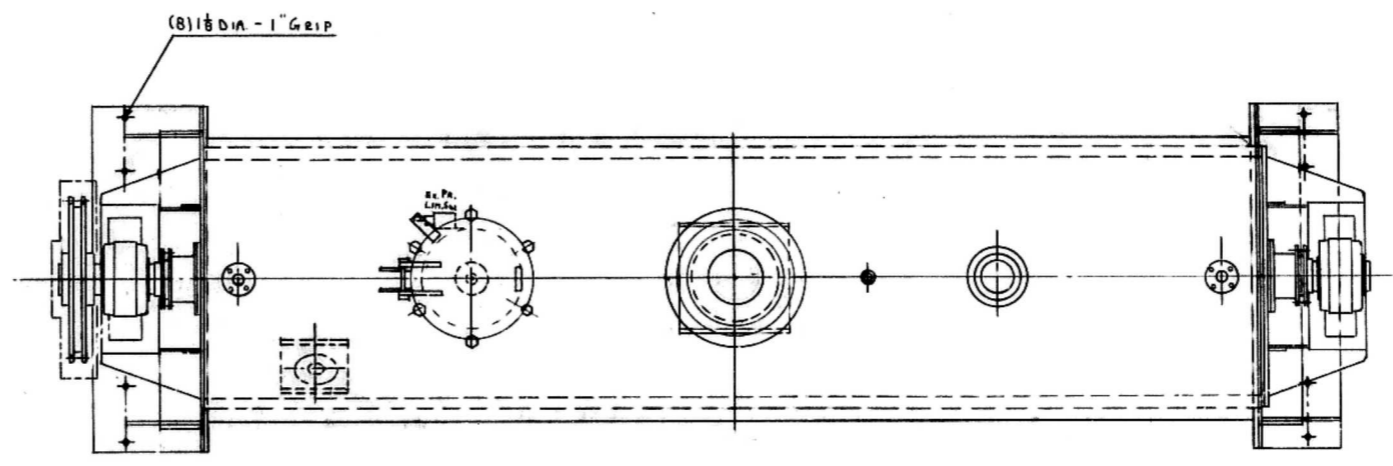
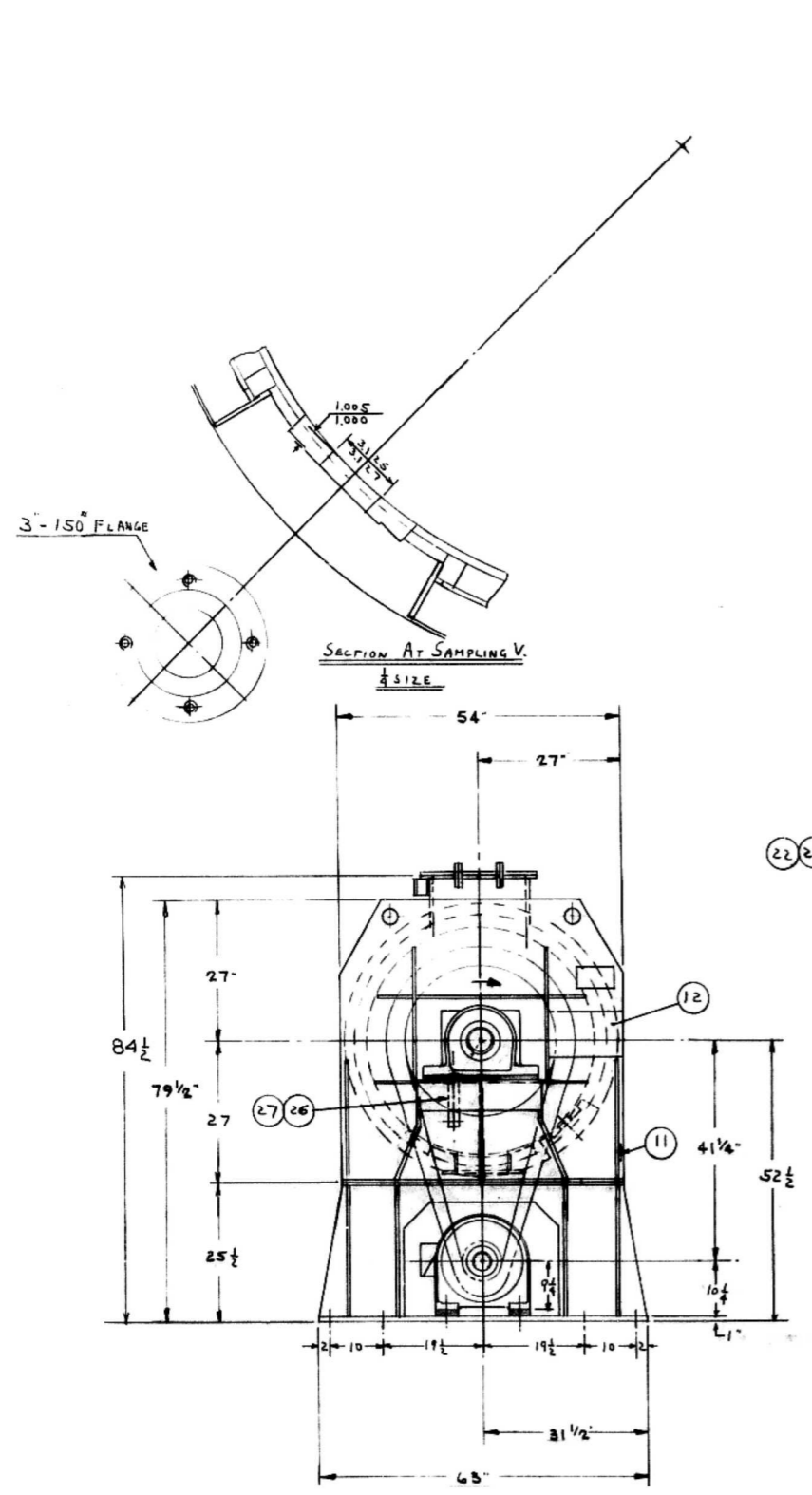


**LUBRICATION INSTRUCTIONS**  
 PLOW BLOCK - LUB. EVERY 2 Mos. USE SODA  
 BEARINGS - BASE GREASE OR MINIMUM CONSISTENCY  
 ROLLER CHAIN - USE SAE 30 W OIL  
 REDUCER - SEE MFG. SPECS.  
 FLUID COUPLING - FILL WITH 7 LBS. SAE 10W OIL.



30 H.P. - 100 RPM  
 L.A. FR. L729A-286T  
 Ex Fr. CL I Gr D - 230/460/3/60

Approx. WT 17,600 LBS.

| ITEM | QTY. | DESCRIPTION                         | MAT'L | PART NO.     |
|------|------|-------------------------------------|-------|--------------|
| 44   | 1    | INSULATION (48ETR-2")               |       | DD324862-23  |
| 43   | 1    | COUPLING-1"                         |       | DA347278-66  |
| 42   | 1    | SCHEMATIC W/D                       |       | DB343 000 A  |
| 41   | 1    | REDUCER                             |       | DS111682     |
| 40   | 1    | KEYSTOCK - 7/8 X 1-1/4 X 6          |       | D9515942     |
| 39   | 1    | SPKT-2-7/8 B-3/4 X 3/8 DR. KY.      |       | DS112503     |
| 38   | 1    | SPKT-5-7/8 B-1/4 X 3/8 DR. KY.      |       | DS112502     |
| 37   | 1    | ROLLER CHAIN-1-1/4 P X 191" ANISO-2 |       | DS111157     |
| 36   | 4    | PLAIN WASHER-3/4"                   |       | D9811538     |
| 35   | 4    | HEX NUT-3/4-10                      |       | D9811154     |
| 34   | 4    | THD'S ROD-3/4-10 X 4                |       | D9515678     |
| 33   | 16   | SHEET-10GA X 4 X 18 HR4             |       | D9515929     |
| 32   | 8    | PLAIN WASHER-1/2"                   |       | D9811534     |
| 31   | 4    | HC'S-1/2-13 X 2-1/2                 |       | D9811341     |
| 30   | 4    | LOCKWASHER                          |       | D9811561     |
| 29   | 12   | HEX NUT-1/2-13                      |       | D9811149     |
| 28   | 4    | HC'S-1/2-13 X 2                     |       | D9811337     |
| 27   | 1    | WELL PALMER 1140-303-03             |       | DS112500     |
| 26   | 1    | THERMOMETER 30-300°F                |       | DS112501     |
| 25   | 4    | PLAIN WASHER-1-1/8"                 |       | D9811546     |
| 24   | 4    | HEX NUT-1-1/8-7                     |       | D9811922     |
| 23   | 4    | THD'S ROD-1-1/8-7 X 6               |       | D9515943     |
| 22   | 4    | PLAIN WASHER-1"                     |       | D9811544     |
| 21   | 4    | HEX NUT-1-1/8"                      |       | D9811158     |
| 20   | 4    | THD'S ROD-1-1/8 X 6                 |       | D9515682     |
| 19   | 2    | FLAT-1-1/4 X 6 X 32- HR5            |       | D9515945     |
| 18   | 1    | PL. BLK-REINFOR 2PS-SS07-F          |       | DS112183     |
| 17   | 1    | PL. BLK-SKF 22532-5-7/16            |       | DS111416     |
| 16   | 8    | SHCS-1/2-13 X 2                     |       | D9811960     |
| 15   | 2    | FLEXIBLE HOSE PERFECTING 1-1/4"     |       | DS112506     |
| 14   | 1    | ROTARY UNION PERFECTING 1-1/4"      |       | DS112505     |
| 13   | 1    | ROTARY UNION PERFECTING 1-1/4"      |       | DS112504     |
| 12   | 1    | CAUTION PL. ASSY                    |       | DA349743-342 |
| 11   | 1    | NAME PL.                            |       | DA254362 A   |
| 10   | 2    | GASKET                              |       | DA308407-6   |
| 9    | 1    | L.H. FLANGE                         |       | DB308406-73  |
| 8    | 1    | R.H. FLANGE                         |       | DB308406-72  |
| 7    | 1    | BASE FLAT. END                      |       | DC362779-1   |
| 6    | 1    | BASE DR. END                        |       | DC362779     |
| 5    | 1    | CHAIN GUARD                         |       | DC266246-178 |
| 4    | 1    | 18 MANHOLE                          |       | DC317548-1   |
| 3    | 2    | STUFFING BOX ASSY                   |       | DC314961-2 A |
| 2    | 1    | AGITATOR-DRY CURR-CTR. DIS          |       | DD314966-2   |
| 1    | 1    | TANK                                |       | DD313629-4   |

MICROFILMED  
 NOV 12 1985  
 BY \_\_\_\_\_

| REV | DATE    | BY  | DESCRIPTION |
|-----|---------|-----|-------------|
| A   | 1-15-82 | ADD |             |

CONFIDENTIAL: THE INFORMATION CONTAINED HEREIN IS CONFIDENTIAL PROPERTY OF THE DAY MIXING COMPANY AND CONTAINS TRADE SECRETS AND/OR PATENTED, PATENT PENDING OR POTENTIALLY PATENTABLE MATERIAL TRANSMISSION, DISCLOSURE OR OTHER USE OF THIS INFORMATION EXCEPT FOR INTERNAL OPERATIONS OF DAY MIXING, IN WHOLE OR IN PART, BY ANY PERSON IS STRICTLY PROHIBITED. EXCEPT ON WRITTEN AUTHORIZATION BY AN OFFICER OF DAY MIXING.

NAME: GENERAL ASSEMBLY  
 MACH: 48X16" VALUUM DRYER S.O. 89737  
 MAT'L: 304 STAIN. STEEL F.U.B.  
 DR: ALBERTY SCALE: 1/16 SIMILAR TO: 313628  
 DATE: 12-2-82 DD: 364860