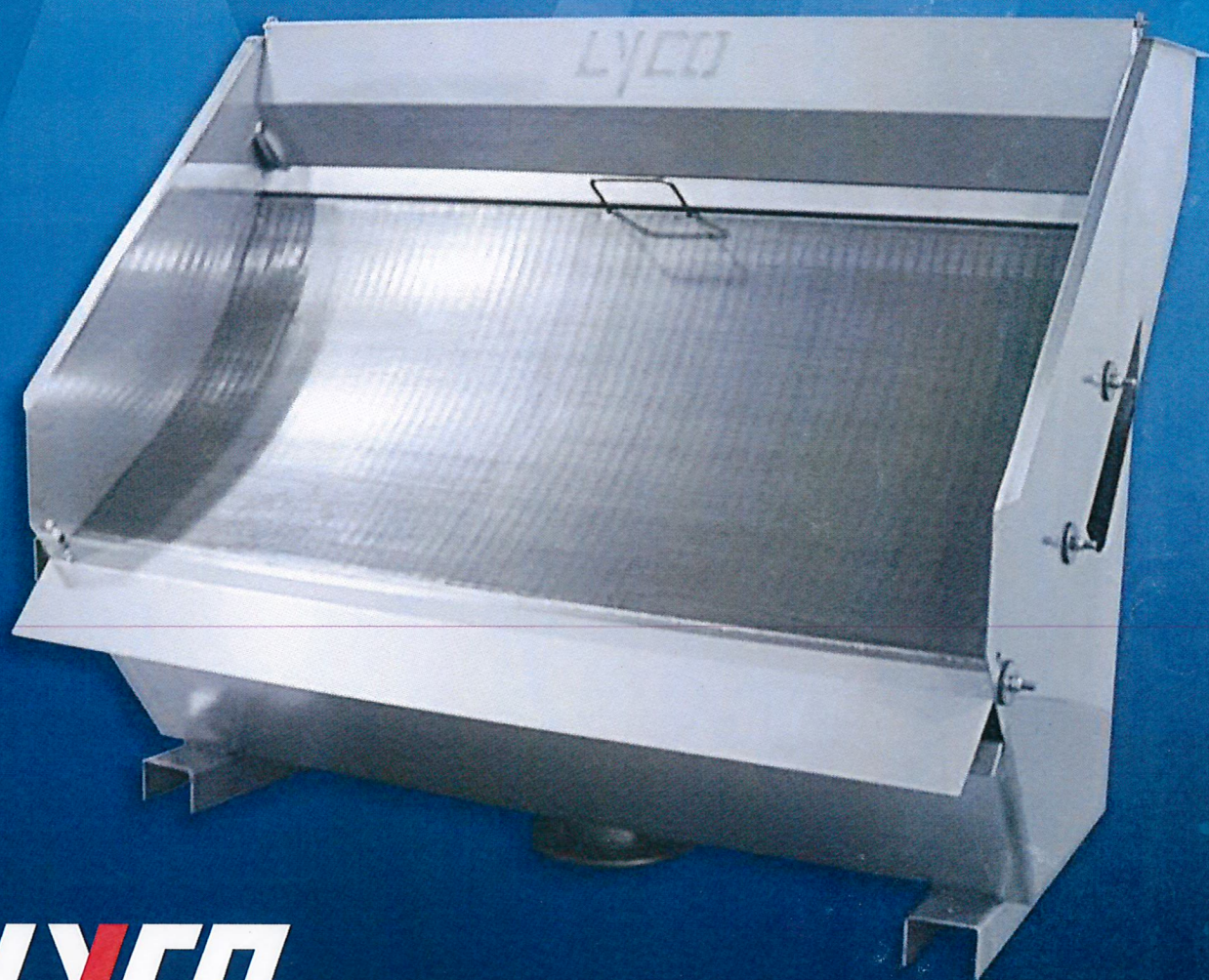


Stationary Screens

*Lycó Makes Removing Water From Product
Simple and Efficient*



LYCO

Manufacturing, Inc.

Leaders in Food Processing Innovation



Lyco's Stationary Screens

Stationary screens are used for dewatering various products or rough screening waste water.



Stationary Screen Capacities

SCREEN OPENING (Inches)	UNIT WIDTH				
	24"	36"	48"	60"	72"
.125	440	660	880	100	1200
.100	280	420	560	700	840
.080	250	375	500	625	750
.060	220	330	440	550	660

APPLICATIONS:

Dewatering:

- Peas
- Dry Beans
- Green Beans
- Corn
- Potatoes
- Snack Food

WASTEWATER:

Clean-up:

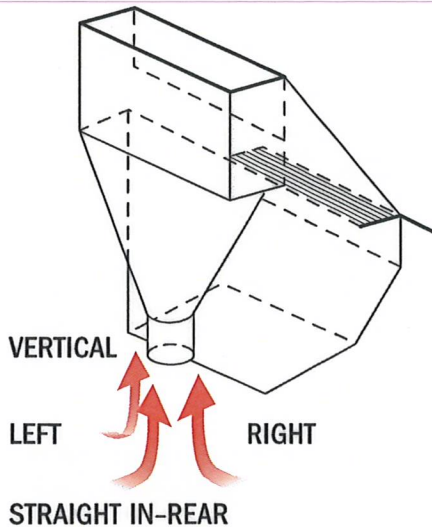
- Pea Waste
- Bean Waste
- Corn Waste
- Potato Waste
- Meat Waste

SPECIAL FEATURES:

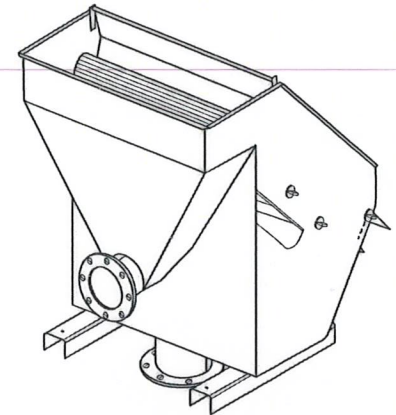
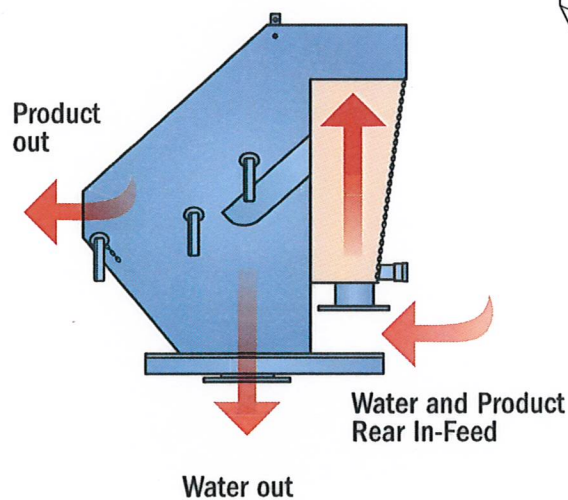
- Easily removable screen
- Sanitary construction
- High quality workmanship
- No moving parts
- Adjustable slope design
- Quick Release Clamps for removing screens

In-Feed ARRANGEMENTS

BOTTOM REAR In-Feed—Most common



HOW IT WORKS



FITTING CHOICES:

- Straight tube
- Pipe
- Flange
- Sanitary



Manufacturing, Inc. Leaders in Food Processing Innovation

P.O. Box 31 115 Commercial Drive
Columbus, WI 53925
Phone: 920-623-4152 Fax: 920-623-3780
www.lycomfg.com E-mail: sales@lycomfg.com