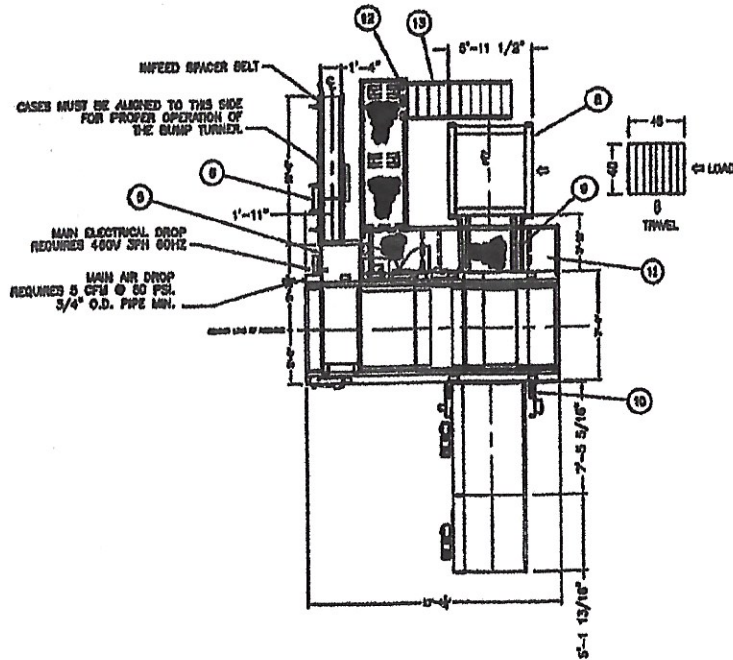


NOTES:
 LABELS APPLICABLE TO THIS MACHINE OR SHIPPING CASE
 DIMENSIONS FOR PRODUCT ARE BASED ON CASES BEING DELIVERED
 TO THE MACHINE BACK TO BACK ON THE BELT.

INFEED ELEVATION = 5' 11-1/2"
 DISCHARGE ELEVATION = 22'



FOR APPROVAL
 APPROVED AS SHOWN BY: _____ DATE: _____
 SUBMITTED AS SHOWN BY: _____ DATE: _____

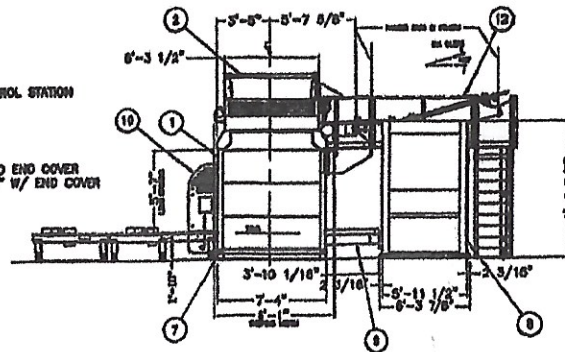
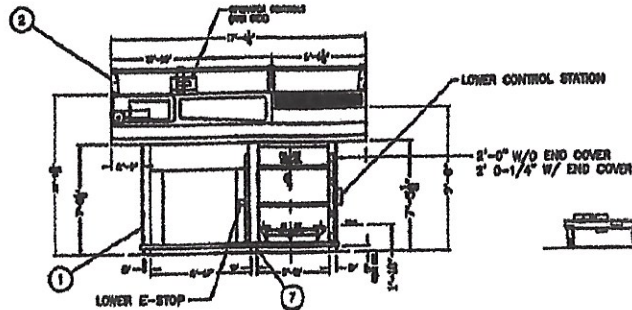
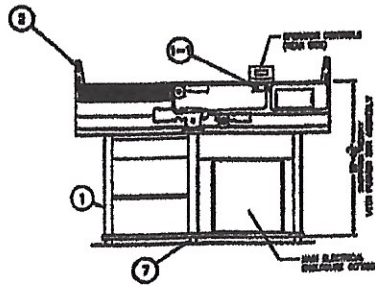
000 SPECIFICATIONS FOR PALLETIZER

CUSTOMER: _____
 LOCATION: _____
 MACHINE: _____
 CUSTOMER: _____

PALLET SIZE: 48" x 40" x 48" (H) x 48" (W)
 ELECTRICAL SERVICE: 480 VOLTS 3 PH 3 W 42
 FREQUENCY: 60 HZ
 PNEUMATIC SERVICE: 5 CFM @ 80 PSI
 PAINT: INTEGRATED GREY PRIMER & GUNN
 NOTES: _____
 PALLET DISPENSER: MAX STACK HEIGHT 1500 LBS.
 MAX STACK WEIGHT 1500 LBS.
 MAX LOAD (HT) FOR PALLETIZER: 4500 LBS.
 MAX LOAD HEIGHT FOR PALLETIZER: 48" x 40" x 48"
 MAX WEIGHT FOR A LAYER OF PRODUCT: 600 LBS.
 MAX WEIGHT FOR A FULL LOAD OF PRODUCT: 3000 LBS.
 MAX REACTIVE LOADING AT ANY POINT: 4000 LBS.
 MAX WEIGHT FOR MAIN MACHINE AT SHIPPING: 1000 LBS.
 MACHINE WILL STOP WITH PRODDER 100 FEET ON
 CUSTOMER'S RECEIVING DOOR SIZE: 12'-0" x 12'-0" x 12'-0"

ITEM	QTY	UNIT	REV	DATE	BY
CONVEYOR BELT	40000	1	1	10/10/10	VP
CONVEYOR MOTOR	1	1	1	10/10/10	VP
CONVEYOR DRIVE	1	1	1	10/10/10	VP
CONVEYOR ROLLER	100	1	1	10/10/10	VP
CONVEYOR MOTOR	1	1	1	10/10/10	VP
CONVEYOR DRIVE	1	1	1	10/10/10	VP
CONVEYOR ROLLER	100	1	1	10/10/10	VP
CONVEYOR MOTOR	1	1	1	10/10/10	VP
CONVEYOR DRIVE	1	1	1	10/10/10	VP
CONVEYOR ROLLER	100	1	1	10/10/10	VP

SPECIAL FEATURES & OPTIONS:
 PACKAGE STOP W-25"
 PUSHER BAR JAM EYE
 HIGH DAM FACES LHMW (3 PCS. @ 8")
 VFD AB PF40 (B1, B2, NP, PG, P01, D02)
 COMPACTLOGIX ONET COMM MOD (1700-SDN)
 RELAY INTERFACE W/ UP/DOWNSTREAM EQUIP.
 GRAVITY FILLER SECTION
 6" BEAM RAILS ON INFEED BELT
 NEDOX TREATED STEEL APRON PLATES
 TEFLON FACES ON PUSHER BARS
 OVERLAPPING TEFLON DAM FACES
 REPLACE RW FROM BILUS W/ SDR END LVR TBL STYLE
 OPERATOR PLATFORM WITH 3'x10' EXTENSION
 STAIRS
 MULTILINE CENTERING SIDE DAMS
 7' 5-5/16" DISCH CDLR 3.43" CTRS 1 HP
 5' 1-15/16" DISCH CDLR 3.43" CTRS 1 HP
 VFD FOR EXISTING DECLINE BELT



NO.	REV.	DATE	BY	CHKD.	APP'D.	DESCRIPTION
1	1	10/10/10	VP	VP	VP	ISSUE FOR CONSTRUCTION

REV: 01 PLAN 1D
 01-10140110

DATE: 10/10/10
 BY: VP
 CHKD: VP
 APP'D: VP

PROJECT: 01-10140110
 SHEET: 10 OF 10
 DRAWING: 01-10140110/001
 SCALE: 1/8" = 1'-0"