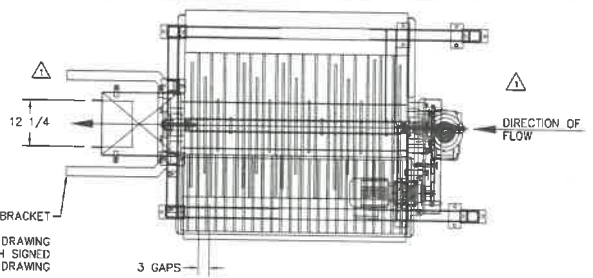


8 7 6 5 4 3 2 1



MTC TO MOUNT BUCKET BRACKET
 DEMACO TO PROVIDE DRAWING OF BRACKET WITH SIGNED APPROVAL DRAWING

GENERAL ARRANGEMENT
 MODEL: MTC5-12-6, CLUSTER-BREAKER, RIGHT HAND

CONSTRUCTION: TYPE 304 STAINLESS STEEL WITH GLASS BEAD FINISH
 STAND: TYPE 304 STAINLESS STEEL WITH TUBE IN TUBE LEVELING FEET
 (TO BE FIELD WELDED BY CUSTOMER).
 WELDING: CONTINUOUS

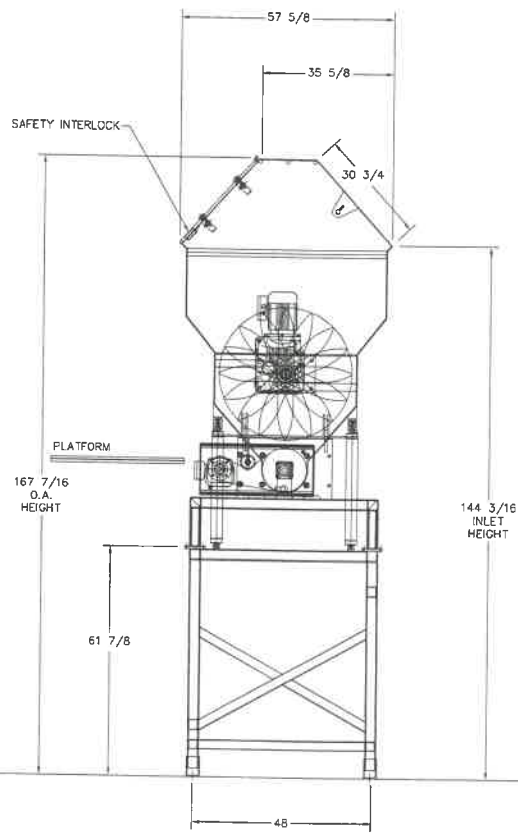
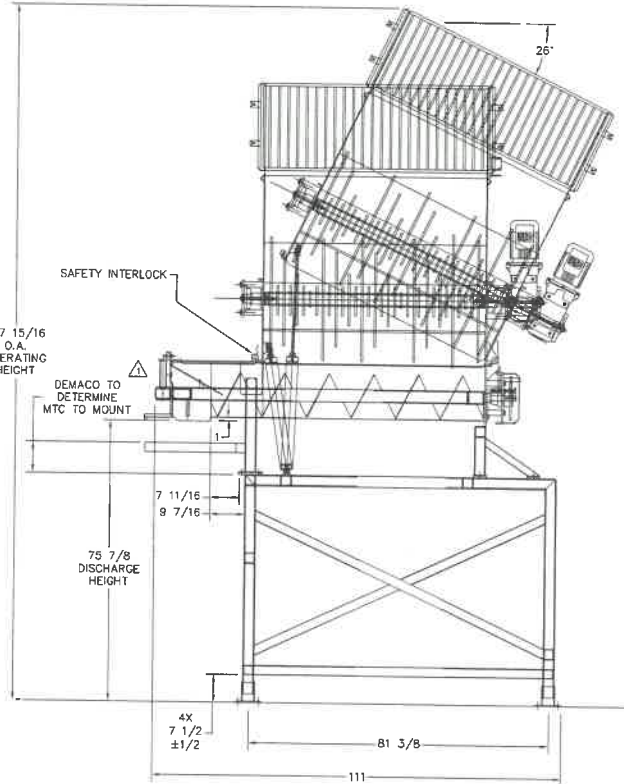
INLET HEIGHT: 144-3/16"
 DISCHARGE HEIGHT: 75-7/8"
 BREAKER AGITATOR: ONE ROTATING DE-LUMPING AGITATOR.
 BREAKER DRIVE: ONE 5 HP, 575V-60HZ-3PH, TEFC GEARMOTOR.
 BREAKER SPEED: 15 RPM.
 SCREW AUGER: ONE CONVEYING SCREW, 12" DIAMETER, FULL PITCH.
 SCREW DRIVE: ONE 3 HP, 575V-60HZ-3PH, TEFC GEARMOTOR WITH CHAIN, SPROCKETS AND STAINLESS STEEL GUARD.
 SCREW SPEED: 25 RPM.
 CAPACITY: 1200 POUND HOPPER BASED ON 45 POUNDS PER CUBIC FOOT OF MATERIAL.

△ TROUGH COVER: ONE LIFT OFF COVER WITH (A-B P/N 440N-S32047)
 SAFETY INTERLOCK.

△ SAFETY GRATE: STAINLESS STEEL WITH (A-B P/N 440N-S32047)
 SAFETY INTERLOCK.

△ PASSIVATE ALL WELDS PER CAMPBELL SOUP SPECIFICATION G-SS01333.

D
 C
 B
 A



This Drawing is the property of MATERIALS TRANSPORTATION COMPANY and shall not be reproduced, copied, lent, or disposed of, nor used for any purpose other than for which it is specifically furnished and must be returned upon demand.

APPROVAL DRAWING

Approval copy of this drawing must be received by _____ to meet the required shipping date.

- 1) APPROVED - MANUFACTURING may proceed.
 - 2) APPROVED, EXCEPT AS NOTED - Resubmit drawing, manufacturing may proceed.
 - 3) NOT APPROVED - Correct drawing as noted and resubmit.
- BY: _____ DATE: _____

Handwritten: S/N 7396 + 7397

UNLESS OTHERWISE SPECIFIED: TOLERANCES .015 - .0010 DIA - ± .001 .0010 - .0150 - ± .002 FINISHES: MILL & 1/4 SPT. BLACK & 1/4 BURN. POL. & 1/4 PAPER: 1/8		CUSTOMER: CAMPBELL SOUP CO DIVISION: DRI. CA CALIFORNIA 91526 SERIAL NO. 7395, 7396, 7397 MTC ORDER # F082904-011		MATERIALS TRANSPORTATION CO. 1508 S. GARDNER, P.O. BOX 1306, TEMPLE, TEXAS 76788	
MATERIAL: STAINLESS STEEL		BY: DATE:		FILE:	
DRAWN: LHM CO-27-2004		CHECKED: DTT CO-27-2004		GENERAL ARRANGEMENT	
APPROVED:		NEXT REV:		MTC5-12-6, CLUSTER-BREAKER, RIGHT HAND	
1 REVISED PER RDC-9652		LHW-07-02-2004 DTT 07-02-2004		SCALE: 1/8	
				DRAWING NUMBER: H5464	
				SHEET OF: 1	
				REVISIONS: 1	
				DRAWN: T.D.	

8 7 6 5 4 3 2 1



This Drawing is the property of
MATERIALS TRANSPORTATION COMPANY
 and shall not be reproduced, copied,
 lent, or disposed of, nor used for any
 purpose other than for which it is
 specifically furnished and must be
 returned upon demand.

APPROVAL DRAWING

Approval copy of this drawing
 must be received by

to meet the required
 shipping date.

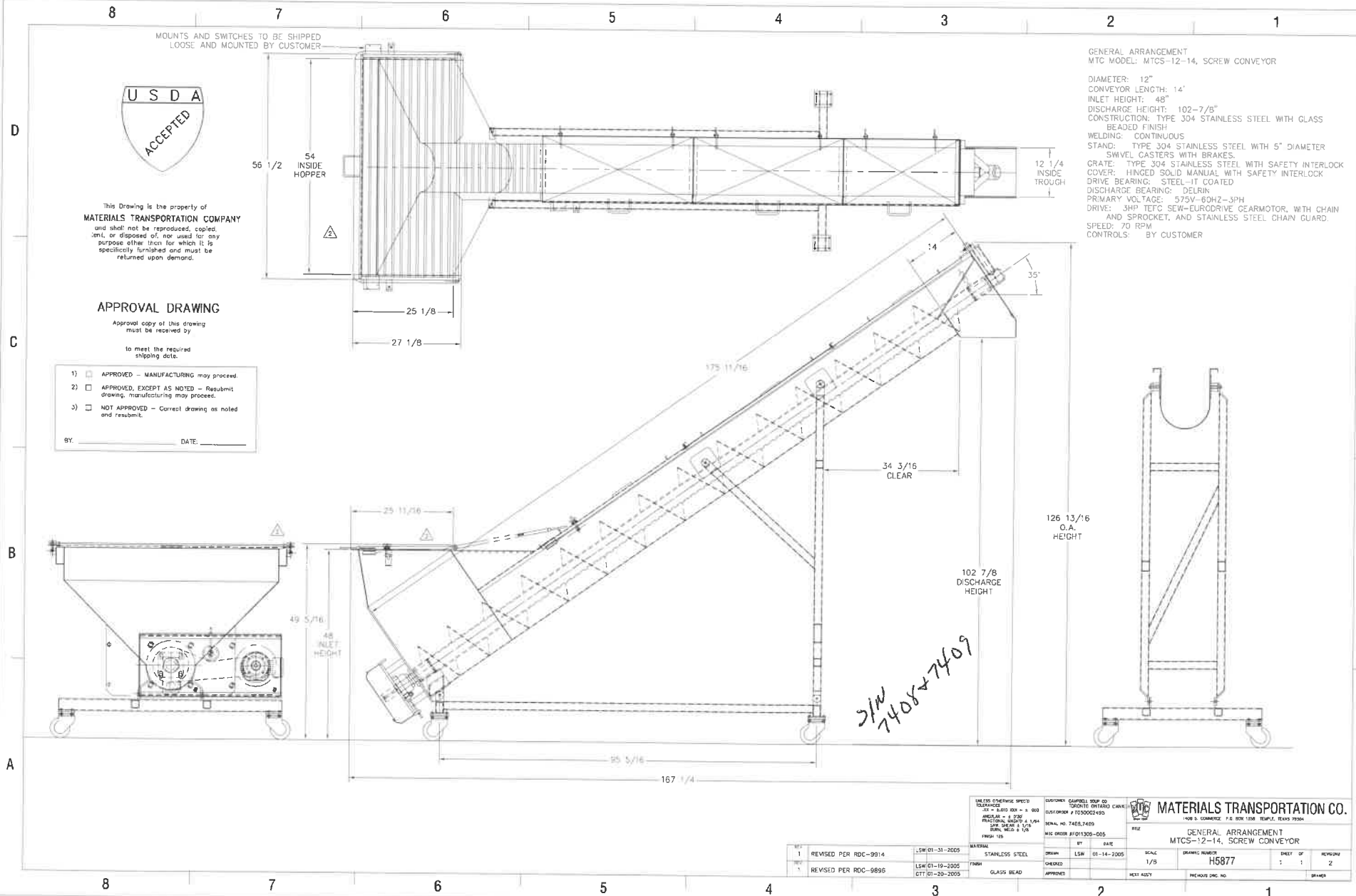
- 1) APPROVED - MANUFACTURING may proceed.
- 2) APPROVED, EXCEPT AS NOTED - Resubmit drawing, manufacturing may proceed.
- 3) NOT APPROVED - Correct drawing as noted and resubmit.

BY: _____ DATE: _____

MOUNTS AND SWITCHES TO BE SHIPPED
 LOOSE AND MOUNTED BY CUSTOMER

GENERAL ARRANGEMENT
 MTC MODEL: MTCS-12-14, SCREW CONVEYOR

DIAMETER: 12"
 CONVEYOR LENGTH: 14'
 INLET HEIGHT: 48"
 DISCHARGE HEIGHT: 102-7/8"
 CONSTRUCTION: TYPE 304 STAINLESS STEEL WITH GLASS
 BEADED FINISH
 WELDING: CONTINUOUS
 STAND: TYPE 304 STAINLESS STEEL WITH 5" DIAMETER
 SWIVEL CASTERS WITH BRAKES.
 GRATE: TYPE 304 STAINLESS STEEL WITH SAFETY INTERLOCK
 COVER: HINGED SOLID MANUAL WITH SAFETY INTERLOCK
 DRIVE BEARING: STEEL-IT COATED
 DISCHARGE BEARING: DELRUK
 PRIMARY VOLTAGE: 575V-60HZ-3PH
 DRIVE: 3HP TEFC SEW-EURODRIVE GEARMOTOR, WITH CHAIN
 AND SPROCKET, AND STAINLESS STEEL CHAIN GUARD.
 SPEED: 70 RPM
 CONTROLS: BY CUSTOMER



REV	DESCRIPTION	DATE	BY	DATE	SCALE	DRAWING NUMBER	SHEET OF	REVISION
1	REVISED PER RDC-9914	LSW 01-31-2005	LSW	01-14-2005	1/8	H5877	1	2
2	REVISED PER RDC-9895	LSW 01-19-2005 GTT 01-20-2005	LSW	01-14-2005				

LINE CO. OVERSEAS SPEC'D DRAWINGS JOB - 5440 000 - 5 000 PROJECT NO. 11206 DATE ORDER 1/14/04 REV. NO. 1/14/04 ENG. NO. 125	CUSTOMER CAMPBELL SOUP CO. 7000101 0101800 CANADA CUSTOMER # FC30002490 SERIAL NO. 7408,7409 MTC ORDER # 011300-005	MATERIALS TRANSPORTATION CO. 1408 S. GARDNER, P.O. BOX 1006, TROY, MI 48068-1006
FILE # GENERAL ARRANGEMENT MTCS-12-14, SCREW CONVEYOR		
MATERIAL STAINLESS STEEL	DRAWN LSW	CHECKED APPROVED
FINISH GLASS BEAD	HEST ADITY	INCHES DIM. NO. DRAWER