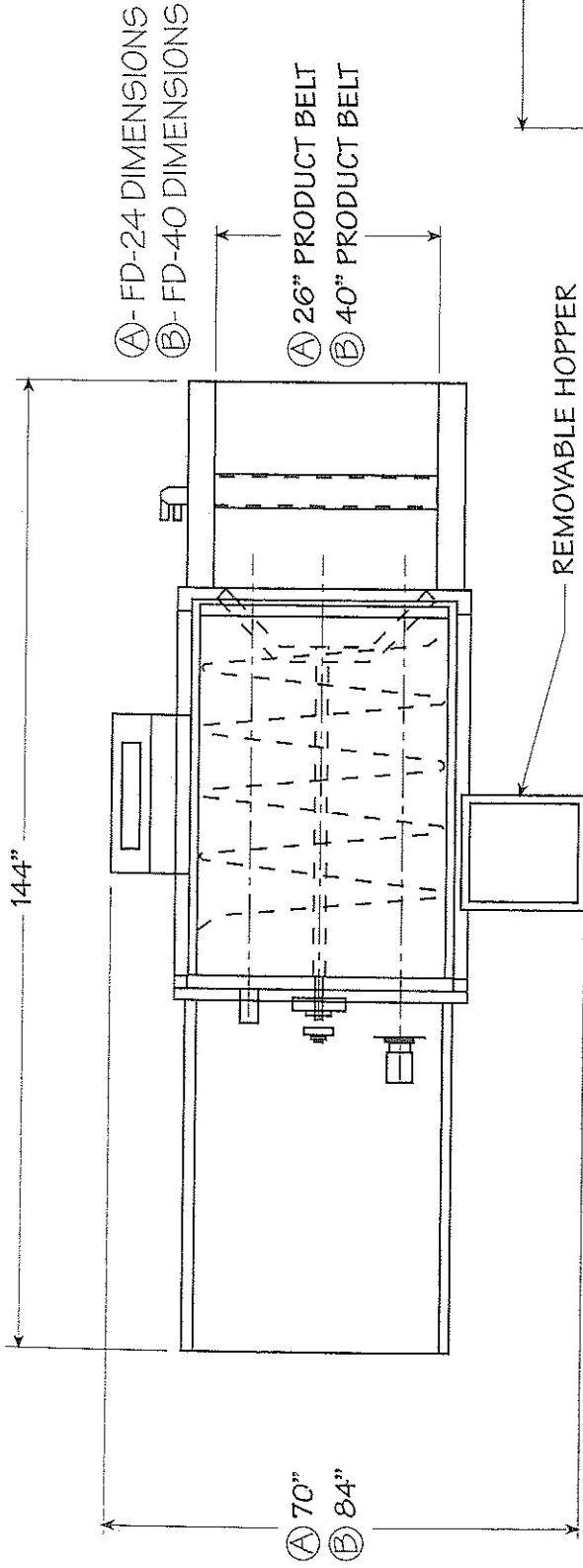


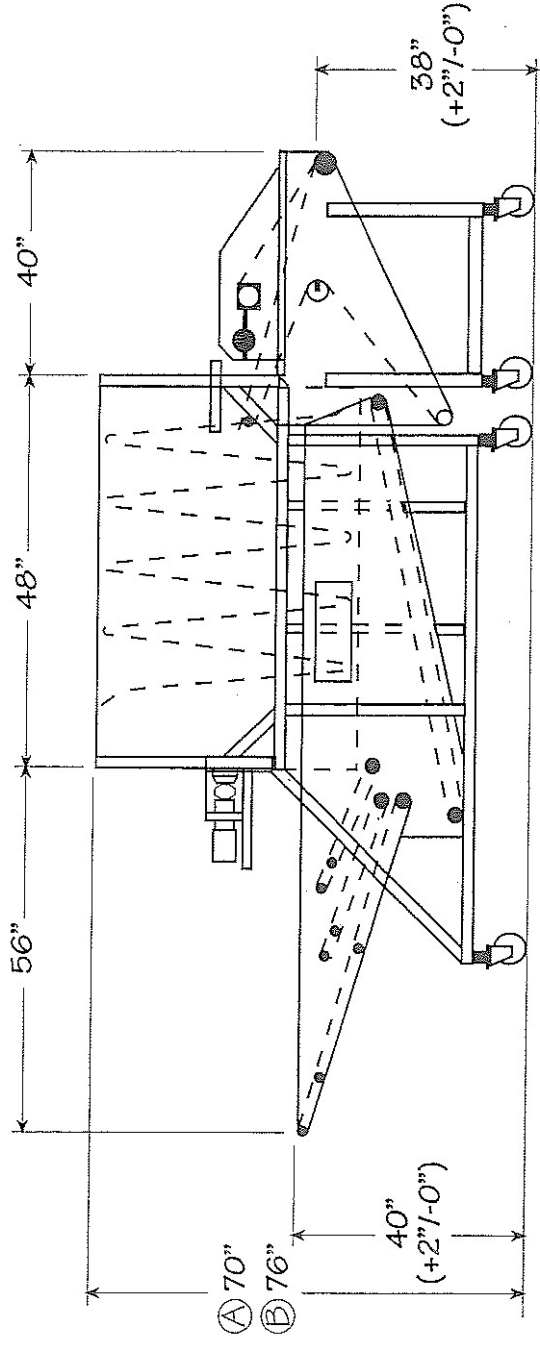
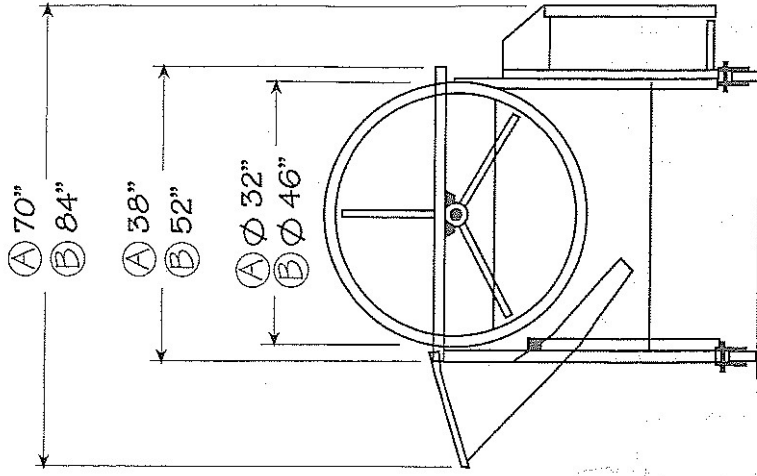
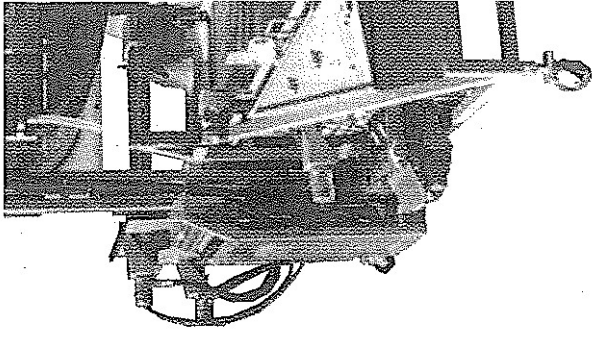
Specifications are subject to change



(A) FD-24 DIMENSIONS  
(B) FD-40 DIMENSIONS

(A) 26" PRODUCT BELT  
(B) 40" PRODUCT BELT

REMOVABLE HOPPER



631 South Kansas, Springfield, MO 65802 USA

Phone: 1-417-831-2816 • 1-800-435-1297 • Fax: 1-417-866-4781

e mail : nothum@sprin  
www.not