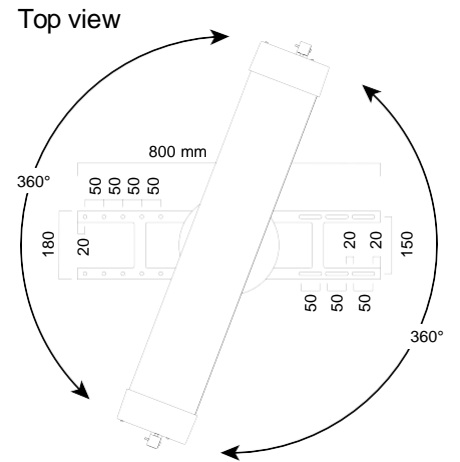


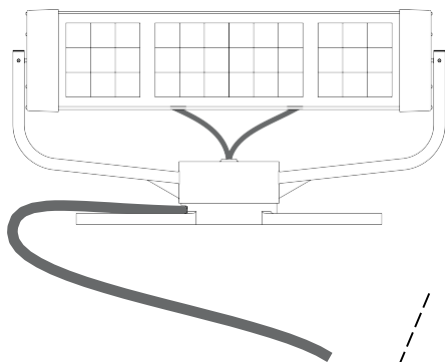
### Parans SP3 Solar Collector

Dimensions	1140 x 570 x 270 mm
Weight	32 kg
Powersupply	AC 100 – 240 V, 50-60 Hz
Power consumption	0 – 10 W, average 7
W Operating temperature	-20°C – 40°C
Light output	5500 +/- 300 lm*
Materials	Aluminium, Tempered glass Zinc/nickel steel, Acrylic

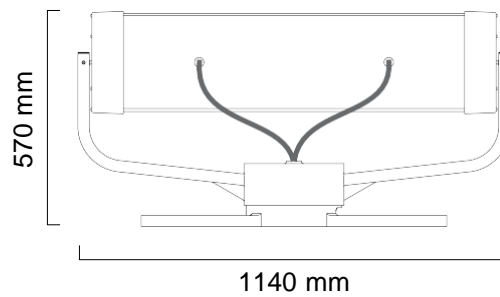
\* All values based on solar illuminance of 100 000 Lux



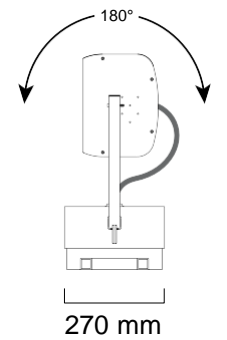
Front view



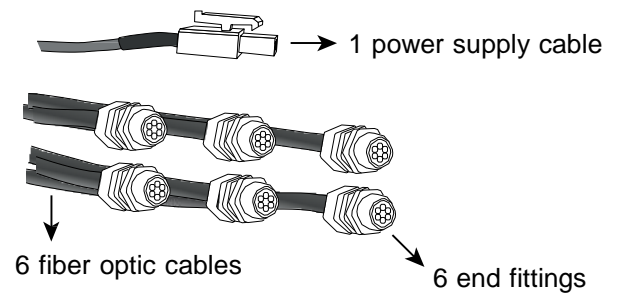
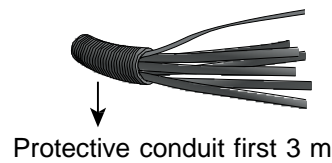
Rear view



Right view



Patented Technology

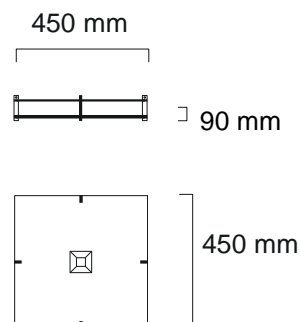
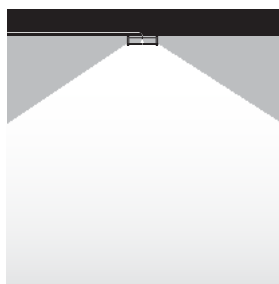


Parans System	SP3 5	SP3 10	SP3 15	SP3 20
Length	5 m	10 m	15 m	20 m
Fiber optic cable	6 pcs	6 pcs	6 pcs	6 pcs
Power supply cable	1 pcs	1 pcs	1 pcs	1 pcs
Protective conduit, length	first 3 m	first 3 m	first 3 m	first 3 m
Protective conduit, diameter	35 mm	35 mm	35 mm	35 mm
Protective conduit, internal diameter	29 mm	29 mm	29 mm	29 mm
Protective conduit, material	PA6	PA6	PA6	PA6
Fiber optic cable diameter	7 mm	7 mm	7 mm	7 mm
End fitting diameter	18 mm	18 mm	18 mm	18 mm
Material, fiber optic	Acrylic	Acrylic	Acrylic	Acrylic
Material, protective coating	PE	PE	PE	PE
Light transmission	96 %/m	96 %/m	96 %/m	96 %/m
Light output	4360 lm	3670 lm	3090 lm	2590 lm
Light output for each cable	730 lm	610 lm	510 lm	430 lm
Light spreading angle	approx. 60°	approx. 60°	approx. 60°	approx. 60°
Maximum bend radius	50 mm	50 mm	50 mm	50 mm

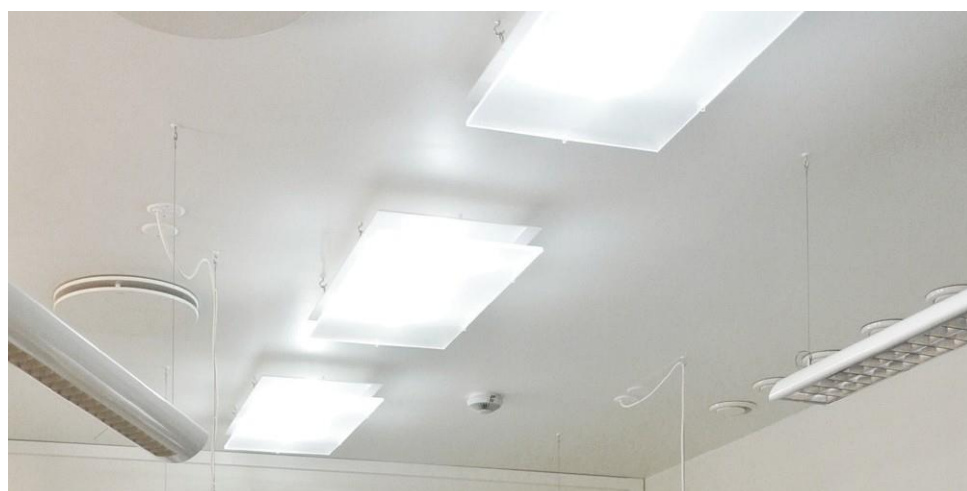
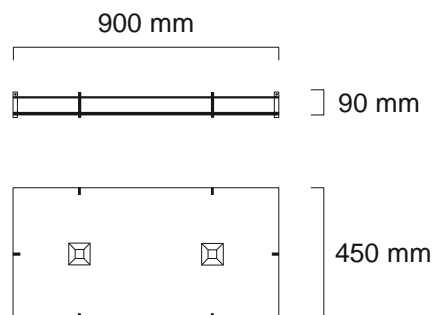


## Parans Luminaires

### L1 Small



### L1 Medium



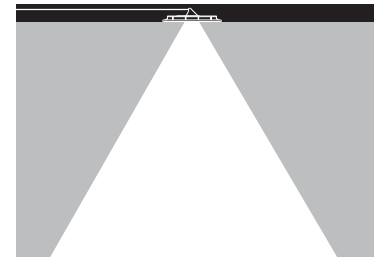
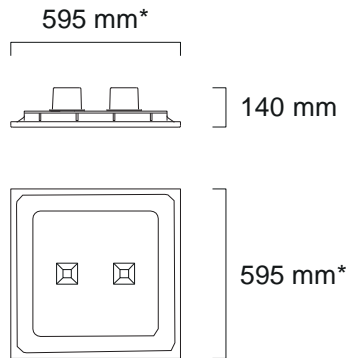
Luminaires	L1 Small	L1 Medium
Dimensions	450 x 450 x 90 mm	450 x 900 x 90 mm
Weight	3,6 kg	7,2 kg
Material	Acrylic	Acrylic
Luminaires for each receiver	6	3
Sunlight output with 5 m cable	730 lm / luminaire	1460 lm / luminaire
Sunlight output with 10 m cable	610 lm / luminaire	1220 lm / luminaire
Sunlight output with 15 m cable	510 lm / luminaire	1020 lm / luminaire
Sunlight output with 20 m cable	430 lm / luminaire	860 lm / luminaire

## Parans Hybrid Luminaires

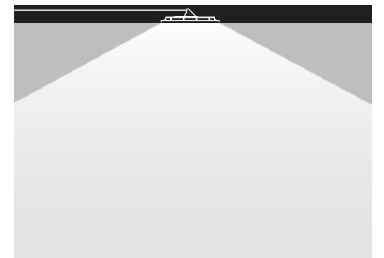
### L2 Pure



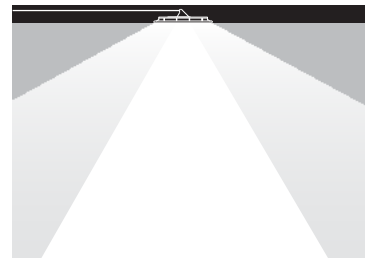
Passive luminaire, which fits into standard tile ceilings (60x60 cm/2x2 ft).



Pure sunlight



LED light

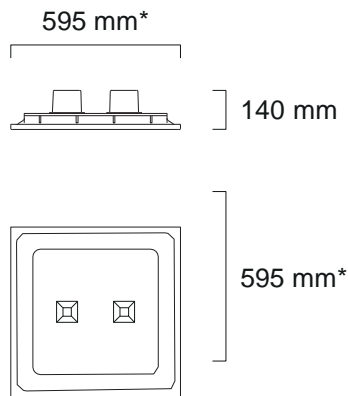


LED light and sunlight

### L2 Hybrid



Hybrid luminaire, which fits into standard tile ceilings (60x60 cm/2x2 ft).  
Sunlight is complemented by LED light.



\* Fits US standard: 2 x 2 ft



Can be complemented with DALI/DSI driver for use with these control systems.

See separate specification and instruction.

#### Luminaires

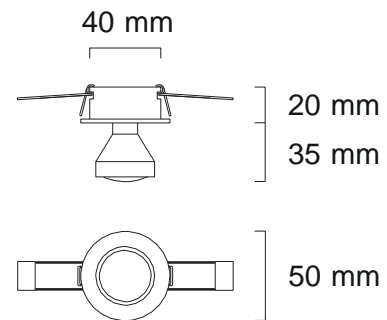
#### L2 Pure

#### L2 Hybrid

Luminaires	L2 Pure	L2 Hybrid
Dimensions	595 x 595 x 140 mm	595 x 595 x 140 mm
Weight	6 kg	6,5 kg
Material	PMMA, ABS, PC, Steel	PMMA, ABS, PC, Steel, LED
Luminaires for each receiver	3	3
Sunlight output with 5 m cable	1460 lm / luminaire	1460 lm / luminaire
Sunlight output with 10 m cable	1220 lm / luminaire	1220 lm / luminaire
Sunlight output with 15 m cable	1020 lm / luminaire	1020 lm / luminaire
Sunlight output with 20 m cable	860 lm / luminaire	860 lm / luminaire
LED light output		990 lm / luminaire
LED power consumption		15 W

## Parans Luminaires

### L3 Spotlight



#### Luminaires

#### L3 Spotlight

Dimensions

50 x 50 x 55 mm

Weight

53 g

Material

Aluminium, Glass, Steel

Luminaires for each receiver

6

Sunlight output with 5 m cable

730 lm / luminaire

Sunlight output with 10 m cable

610 lm / luminaire

Sunlight output with 15 m cable

510 lm / luminaire

Sunlight output with 20 m cable

430 lm / luminaire