



The new degree of comfort.™

## Rheem *Classic*® Series Package Gas Electric Unit



### **RRNL- 13-SEER Series**

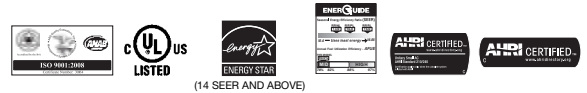
Nominal Sizes 2-5 Tons [7.0-17.6 kW]

### **RRPL- 14-SEER Series**

Nominal Sizes 2-5 Tons [7.0-17.6 kW]

### **RRRL- 16-SEER Series**

Nominal Sizes 2-5 Tons [7.0-17.6 kW]



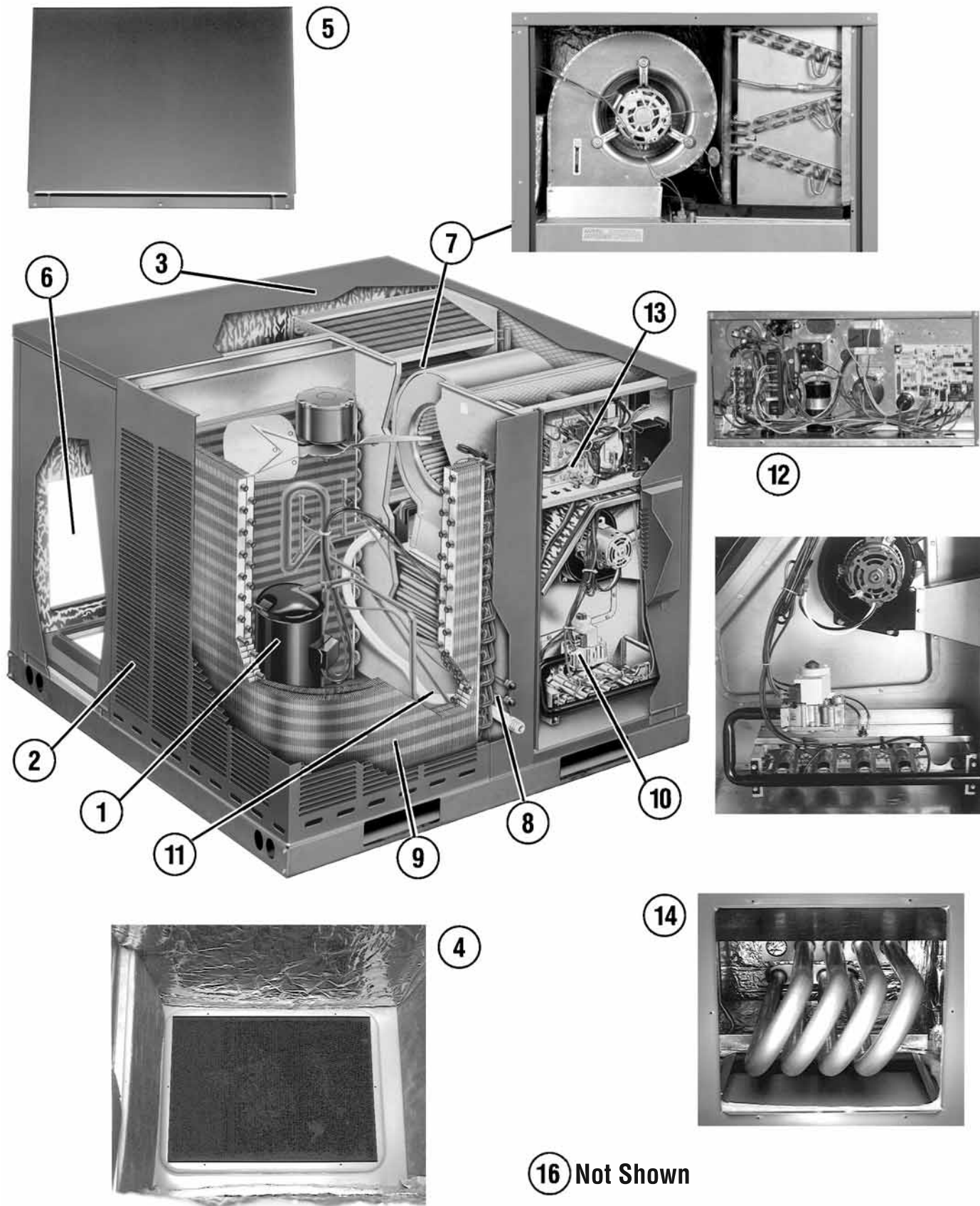
"Proper sizing and installation of equipment is critical to achieve optimal performance. Ask your Contractor for details or visit [www.energystar.gov](http://www.energystar.gov)."



## TABLE OF CONTENTS

Unit Features & Benefits .....	3-4
Model Number Identification .....	5
Options .....	6
General Data	
RRNL- Series .....	7-15
RRPL- Series .....	16-24
RRRL- Series .....	25-28
General Data Notes .....	29
Gross Systems Performance Data	
RRNL- Series .....	30-32
RRPL- Series .....	33-35
RRRL- Series .....	36-37
Indoor Airflow Performance	
RRNL- Series .....	38-40
RRPL- Series .....	41-44
RRRL- Series .....	45-46
Electrical Data	
RRNL- Series .....	47-49
RRPL- Series .....	50-52
RRRL- Series .....	53
Dimensional Data .....	54-55
Typical Installations .....	56
Accessories .....	57-65
Wiring Diagrams .....	66-75

## Package Gas Electric Unit Features:





## RRNL/RRPL/RRRL Features Below Correspond to Photos on Page 3

1. All models feature Scroll® compressors for maximum efficiency and quiet operation. 5 Ton RRPL and all RRRL models feature UltraTech™ Scroll 2-Stage compressors with Comfort Alert™ diagnostics (see below), high/low pressure switches, and hard start kits.
2. Louvered condenser compartment for protecting the coil against yard hazards and/or weather extremes.
3. One-piece top with a deep flange to help keep water out of the unit.
4. Supply and return air openings feature a one-inch tall flange to prevent water migration into the ductwork.
5. Access panels have “weep holes” and channels to further help manage water run-off.
6. Side and down discharge options available on all models. All models are shipped ready for horizontal application.
7. Easily accessible blower section complete with slide-out blower. The RRRL comes standard with variable speed motor with adjustable airflow in heating and cooling. The variable speed motor also comes with an interface that allows for dehumidification when used in continuous humidistat. The variable speed system is capable of 1 inch external static.
8. Refrigerant connections are conveniently located for easy service diagnostics.
9. Condenser and evaporator coils feature enhanced fins for better heat transfer and rifled copper tubing for greater efficiency.
10. Inside the easily accessible furnace compartment is the draft inducer motor. This motor is specially designed for quiet reliable operation. In addition to the draft inducer motor, the in-shot gas burners and manifold efficiently regulate the flow of gas for combustion. These new gas/electric units also feature direct-spark ignition and remote flame sensors for added reliability and efficiency.
11. All units feature an internal trap on the condensate line eliminating the need for installing an on-site external trap.
12. Easily accessible control box.
13. Single point wiring simplifies installation.
14. Our gas/electric package units feature a tubular heat exchanger design. Tubular heat exchangers are more efficient and durable than older-style clamshell heat exchangers. The heat exchanger is backed by a 10 year limited warranty. Models with a stainless steel heat exchanger installed in a residential application are backed by a limited lifetime warranty. The stainless steel heat exchanger is a standard feature on RRRL. Two stage gas heat is standard on the RRRL models.
15. Thermal expansion valve standard on all models for superior superheat control, reliability, and energy efficiency at all operating conditions.
16. Filter drier standard on all models (not shown).
17. Rugged baserail included for improved installation and handling
18. Complete factory charged, wired and run tested.
19. Molded compressor plugs.

### Comfort Alert™ Diagnostics – Faster Service And Improved Accuracy (2-Stage Models Only)

The Comfort Alert™ diagnostics module is a breakthrough innovation for troubleshooting air conditioning system failures. The module is installed in the control box near the compressor contactor. By monitoring and analyzing data from the Scroll® compressor and the thermostat demand, the module can accurately detect the cause of electrical and system related failures without any sensors. A flashing LED indicator communicates the ALERT code and guides the service technician more quickly and accurately to the root cause of a problem.

**NOTE: Single phase module does not provide safety protection! The Comfort Alert module is a monitoring device and cannot control or shut down the compressor unless used with a White Rodgers IF95-CA397 Thermostat.**

**NOTE: Three phase module provides compressor protection and will shut down the compressor when compressor damaging conditions are detected.**

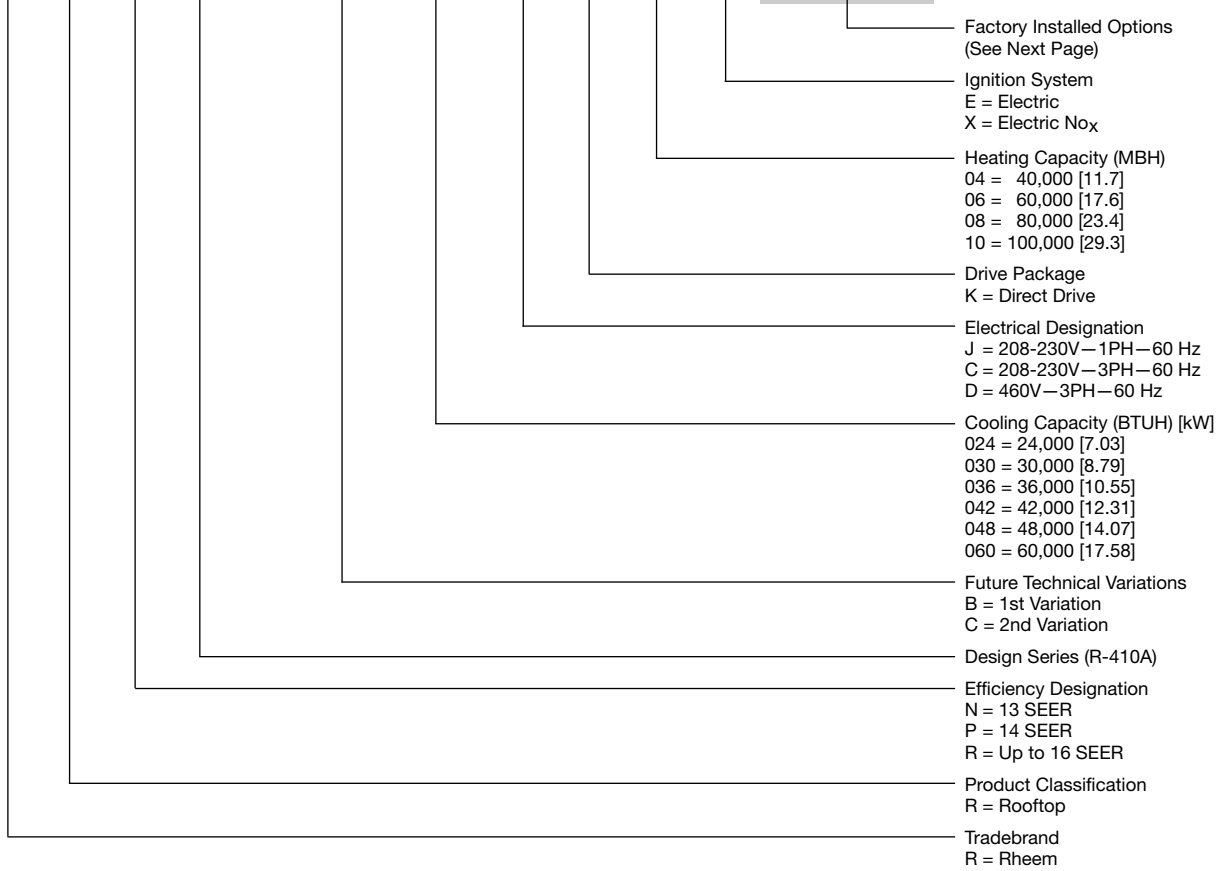
### RRRL Models Also Feature:

- On Demand Dehumidification
- ECM motor with adjustable airflow in both heating and cooling to 1.0" SP static capability
- Stainless steel heat exchanger as standard
- Two stage gas heat



Air

**R R N L - B 036 J K 10 E X X X**



[ ] Designates Metric Conversions



## Instructions for Factory Installed Option(s) Selection

**Note:** Three characters following the model number will be utilized to designate a factory-installed option or combination of options. If no factory option(s) is required, nothing follows the model number.

**Step 1.** After a basic rooftop model is selected, choose a *three-character* option code from the FACTORY INSTALLED OPTION SELECTION TABLE.

### FACTORY INSTALLED OPTION CODES

Option Code	Stainless Steel Heat Exchanger	Side Flow
AJA	X	

“x” indicates factory installed option.

Example: No Option

RRNL-036JK08E

Example: Option with Stainless Steel Heat Exchanger

RRNL-036JK08EAJA

Note: Factory installed economizer is not available on these models.

\*RRRL models are only available with BVA option.

## NOMINAL SIZES 2-5 TONS [7.0-17.6 kW]

Model RRNL- Series	B024JK04(E/X)	B024JK06(E/X)	B024JK08(E/X)	B030JK04(E/X)
<b>Cooling Performance<sup>1</sup></b>				<b>CONTINUED</b> →
Gross Cooling Capacity Btu [kW]	24,400 [7.15]	24,400 [7.15]	24,400 [7.15]	29,800 [8.73]
EER/SEER <sup>2</sup>	11.1/13	11.1/13	11.1/13	11.1/13
Nominal CFM/AHRI Rated CFM [L/s]	787/800 [371/378]	787/800 [371/378]	787/800 [371/378]	953/1000 [450/472]
AHRI Net Cooling Capacity Btu [kW]	23,600 [6.91]	23,600 [6.91]	23,600 [6.91]	28,600 [8.38]
Net Sensible Capacity Btu [kW]	17,340 [5.08]	17,340 [5.08]	17,340 [5.08]	20,810 [6.1]
Net Latent Capacity Btu [kW]	6,260 [1.83]	6,260 [1.83]	6,260 [1.83]	7,790 [2.28]
Net System Power [kW]	2.12	2.12	2.12	2.58
<b>Heating Performance (Package Gas/Electric)<sup>3</sup></b>				
Heating Input Btu [kW]	40,000 [11.72]	60,000 [17.58]	80,000 [23.44]	40,000 [11.72]
Heating Output Btu [kW]	31,000 [9.08]	47,000 [13.77]	62,000 [18.17]	31,000 [9.08]
Temperature Rise Range °F [°C]	30-60 [16.7/33.3]	40-70 [22.2/38.9]	55-85 [30.6/47.2]	20-50 [11.1/27.8]
AFUE (%) <sup>4</sup>	80	80	80	80
Steady State Efficiency (%)	81	81	81	81
No. Burners	2	3	4	2
No. Stages	1	1	1	1
Gas Connection Pipe Size in. [mm]	0.5 [12.7]	0.5 [12.7]	0.5 [12.7]	0.5 [12.7]
<b>Compressor</b>				
No./Type	1/Scroll	1/Scroll	1/Scroll	1/Scroll
<b>Outdoor Sound Rating (dB)<sup>5</sup></b>	76	76	76	76
<b>Outdoor Coil—Fin Type</b>	Louvered	Louvered	Louvered	Louvered
Tube Type	Rifled	Rifled	Rifled	Rifled
Tube Size in. [mm] OD	0.375 [9.5]	0.375 [9.5]	0.375 [9.5]	0.375 [9.5]
Face Area sq. ft. [sq. m]	10.56 [0.98]	10.56 [0.98]	10.56 [0.98]	10.56 [0.98]
Rows / FPI [FPcm]	1 / 18 [7]	1 / 18 [7]	1 / 18 [7]	1 / 18 [7]
<b>Indoor Coil—Fin Type</b>	Louvered	Louvered	Louvered	Louvered
Tube Type	Rifled	Rifled	Rifled	Rifled
Tube Size in. [mm]	0.375 [9.5]	0.375 [9.5]	0.375 [9.5]	0.375 [9.5]
Face Area sq. ft. [sq. m]	5.54 [0.51]	5.54 [0.51]	5.54 [0.51]	5.54 [0.51]
Rows / FPI [FPcm]	2 / 15 [6]	2 / 15 [6]	2 / 15 [6]	2 / 15 [6]
Refrigerant Control	TX Valves	TX Valves	TX Valves	TX Valves
Drain Connection No./Size in. [mm]	1/0.75 [19.05]	1/0.75 [19.05]	1/0.75 [19.05]	1/0.75 [19.05]
<b>Outdoor Fan—Type</b>	Propeller	Propeller	Propeller	Propeller
No. Used/Diameter in. [mm]	1/22 [558.8]	1/22 [558.8]	1/22 [558.8]	1/22 [558.8]
Drive Type/No. Speeds	Direct/1	Direct/1	Direct/1	Direct/1
CFM [L/s]	2500 [1180]	2500 [1180]	2500 [1180]	2500 [1180]
No. Motors/HP	1 at 1/3 HP	1 at 1/3 HP	1 at 1/3 HP	1 at 1/3 HP
Motor RPM	1075	1075	1075	1075
<b>Indoor Fan—Type</b>	FC Centrifugal	FC Centrifugal	FC Centrifugal	FC Centrifugal
No. Used/Diameter in. [mm]	1/9x7 [229x178]	1/9x7 [229x178]	1/9x7 [229x178]	1/10x9 [254x229]
Drive Type/No. Speeds	Direct/2	Direct/2	Direct/2	Direct/3
No. Motors	1	1	1	1
Motor HP	1/4	1/4	1/4	1/2
Motor RPM	1075	1075	1075	1075
Motor Frame Size	48	48	48	48
<b>Filter—Type</b>	Field Supplied	Field Supplied	Field Supplied	Field Supplied
Furnished	No	No	No	No
(No.) Size Recommended in. [mm]	(1)1x20x20 [25x508x508]	(1)1x20x20 [25x508x508]	(1)1x20x20 [25x508x508]	(1)1x24x24 [25x610x610]
<b>Refrigerant Charge Oz. [g]</b>	77.8 [2206]	77.8 [2206]	77.8 [2206]	76.8 [2177]
<b>Weights</b>				
Net Weight lbs. [kg]	381 [173]	385 [175]	390 [177]	399 [181]
Ship Weight lbs. [kg]	421 [191]	425 [193]	430 [195]	439 [199]

See Page 29 for Notes.

[ ] Designates Metric Conversions



## NOMINAL SIZES 2-5 TONS [7.0-17.6 kW]

Model RRNL- Series	B030JK06(E/X)	B030JK08(E/X)	B030JK10(E/X)	B036CK04
<b>Cooling Performance<sup>1</sup></b>				<b>CONTINUED</b> →
Gross Cooling Capacity Btu [kW]	29,800 [8.73]	29,800 [8.73]	29,800 [8.73]	37,000 [10.84]
EER/SEER <sup>2</sup>	11.1/13	11.1/13	11.1/13	11.3/13
Nominal CFM/AHRI Rated CFM [L/s]	953/1000 [450/472]	953/1000 [450/472]	953/1000 [450/472]	1187/1200 [560/566]
AHRI Net Cooling Capacity Btu [kW]	28,600 [8.38]	28,600 [8.38]	28,600 [8.38]	35,600 [10.43]
Net Sensible Capacity Btu [kW]	20,810 [6.1]	20,810 [6.1]	20,810 [6.1]	26,390 [7.73]
Net Latent Capacity Btu [kW]	7,790 [2.28]	7,790 [2.28]	7,790 [2.28]	9,210 [2.7]
Net System Power [kW]	2.58	2.58	2.58	3.15
<b>Heating Performance (Package Gas/Electric)<sup>3</sup></b>				
Heating Input Btu [kW]	60,000 [17.58]	80,000 [23.44]	100,000 [29.3]	40,000 [11.72]
Heating Output Btu [kW]	47,000 [13.77]	62,000 [18.17]	77,000 [22.56]	32,400 [9.49]
Temperature Rise Range °F [°C]	30-60 [16.7/33.3]	40-70 [22.2/38.9]	45-85 [25/47.2]	20-50 [11.1/27.8]
AFUE (%) <sup>4</sup>	80	80	80	80
Steady State Efficiency (%)	81	81	81	81
No. Burners	3	4	5	2
No. Stages	1	1	1	1
Gas Connection Pipe Size in. [mm]	0.5 [12.7]	0.5 [12.7]	0.5 [12.7]	0.5 [12.7]
<b>Compressor</b>				
No./Type	1/Scroll	1/Scroll	1/Scroll	1/Scroll
<b>Outdoor Sound Rating (dB)<sup>5</sup></b>				
	76	76	76	76
<b>Outdoor Coil—Fin Type</b>				
Tube Type	Louvered	Louvered	Louvered	Louvered
Tube Size in. [mm] OD	Rifled	Rifled	Rifled	Rifled
Face Area sq. ft. [sq. m]	0.375 [9.5]	0.375 [9.5]	0.375 [9.5]	0.375 [9.5]
Rows / FPI [FPcm]	10.56 [0.98]	10.56 [0.98]	10.56 [0.98]	14.8 [1.37]
	1 / 18 [7]	1 / 18 [7]	1 / 18 [7]	1 / 22 [9]
<b>Indoor Coil—Fin Type</b>				
Tube Type	Louvered	Louvered	Louvered	Louvered
Tube Size in. [mm]	Rifled	Rifled	Rifled	Rifled
Face Area sq. ft. [sq. m]	0.375 [9.5]	0.375 [9.5]	0.375 [9.5]	0.375 [9.5]
Rows / FPI [FPcm]	5.54 [0.51]	5.54 [0.51]	5.54 [0.51]	5.54 [0.51]
	2 / 15 [6]	2 / 15 [6]	2 / 15 [6]	2 / 15 [6]
Refrigerant Control	TX Valves	TX Valves	TX Valves	TX Valves
Drain Connection No./Size in. [mm]	1/0.75 [19.05]	1/0.75 [19.05]	1/0.75 [19.05]	1/0.75 [19.05]
<b>Outdoor Fan—Type</b>				
No. Used/Diameter in. [mm]	Propeller	Propeller	Propeller	Propeller
Drive Type/No. Speeds	1/22 [558.8]	1/22 [558.8]	1/22 [558.8]	1/22 [558.8]
CFM [L/s]	Direct/1	Direct/1	Direct/1	Direct/1
No. Motors/HP	2500 [1180]	2500 [1180]	2500 [1180]	2700 [1274]
Motor RPM	1 at 1/3 HP	1 at 1/3 HP	1 at 1/3 HP	1 at 1/3 HP
	1075	1075	1075	1075
<b>Indoor Fan—Type</b>				
No. Used/Diameter in. [mm]	FC Centrifugal	FC Centrifugal	FC Centrifugal	FC Centrifugal
Drive Type/No. Speeds	1/10x9 [254x229]	1/10x9 [254x229]	1/10x9 [254x229]	1/10x9 [254x229]
No. Motors	Direct/3	Direct/3	Direct/3	Direct/3
Motor HP	1	1	1	1
Motor RPM	1/2	1/2	1/2	1/2
Motor Frame Size	1075	1075	1075	1075
	48	48	48	48
<b>Filter—Type</b>				
Furnished	Field Supplied	Field Supplied	Field Supplied	Field Supplied
(No.) Size Recommended in. [mm]	No	No	No	No
	(1)1x24x24 [25x610x610]	(1)1x24x24 [25x610x610]	(1)1x24x24 [25x610x610]	(1)1x24x24 [25x610x610]
<b>Refrigerant Charge Oz. [g]</b>				
	76.8 [2177]	76.8 [2177]	76.8 [2177]	92.8 [2631]
<b>Weights</b>				
Net Weight lbs. [kg]	404 [183]	409 [186]	414 [188]	412 [187]
Ship Weight lbs. [kg]	444 [201]	449 [204]	454 [206]	452 [205]

See Page 29 for Notes.

[ ] Designates Metric Conversions



## NOMINAL SIZES 2-5 TONS [7.0-17.6 kW]

Model RRNL- Series	B036CK06	B036CK08	B036CK10	B036DK06
<b>Cooling Performance<sup>1</sup></b>				<b>CONTINUED</b> →
Gross Cooling Capacity Btu [kW]	37,000 [10.84]	37,000 [10.84]	37,000 [10.84]	37,000 [10.84]
EER/SEER <sup>2</sup>	11.3/13	11.3/13	11.3/13	11.3/13
Nominal CFM/AHRI Rated CFM [L/s]	1187/1200 [560/566]	1187/1200 [560/566]	1187/1200 [560/566]	1187/1200 [560/566]
AHRI Net Cooling Capacity Btu [kW]	35,600 [10.43]	35,600 [10.43]	35,600 [10.43]	35,600 [10.43]
Net Sensible Capacity Btu [kW]	26,390 [7.73]	26,390 [7.73]	26,390 [7.73]	26,390 [7.73]
Net Latent Capacity Btu [kW]	9,210 [2.7]	9,210 [2.7]	9,210 [2.7]	9,210 [2.7]
Net System Power [kW]	3.15	3.15	3.15	3.15
<b>Heating Performance (Package Gas/Electric)<sup>3</sup></b>				
Heating Input Btu [kW]	60,000 [17.58]	80,000 [23.44]	100,000 [29.3]	60,000 [17.58]
Heating Output Btu [kW]	48,600 [14.24]	64,800 [18.99]	81,000 [23.73]	48,600 [14.24]
Temperature Rise Range °F [°C]	30-60 [16.7/33.3]	40-70 [22.2/38.9]	45-85 [25/47.2]	30-60 [16.7/33.3]
AFUE (%) <sup>4</sup>	80	80	80	80
Steady State Efficiency (%)	81	81	81	81
No. Burners	3	4	5	3
No. Stages	1	1	1	1
Gas Connection Pipe Size in. [mm]	0.5 [12.7]	0.5 [12.7]	0.5 [12.7]	0.5 [12.7]
<b>Compressor</b>				
No./Type	1/Scroll	1/Scroll	1/Scroll	1/Scroll
<b>Outdoor Sound Rating (dB)<sup>5</sup></b>	76	76	76	76
<b>Outdoor Coil—Fin Type</b>	Louvered	Louvered	Louvered	Louvered
Tube Type	Rifled	Rifled	Rifled	Rifled
Tube Size in. [mm] OD	0.375 [9.5]	0.375 [9.5]	0.375 [9.5]	0.375 [9.5]
Face Area sq. ft. [sq. m]	14.8 [1.37]	14.8 [1.37]	14.8 [1.37]	14.8 [1.37]
Rows / FPI [FPcm]	1 / 22 [9]	1 / 22 [9]	1 / 22 [9]	1 / 22 [9]
<b>Indoor Coil—Fin Type</b>	Louvered	Louvered	Louvered	Louvered
Tube Type	Rifled	Rifled	Rifled	Rifled
Tube Size in. [mm]	0.375 [9.5]	0.375 [9.5]	0.375 [9.5]	0.375 [9.5]
Face Area sq. ft. [sq. m]	5.54 [0.51]	5.54 [0.51]	5.54 [0.51]	5.54 [0.51]
Rows / FPI [FPcm]	2 / 15 [6]	2 / 15 [6]	2 / 15 [6]	2 / 15 [6]
Refrigerant Control	TX Valves	TX Valves	TX Valves	TX Valves
Drain Connection No./Size in. [mm]	1/0.75 [19.05]	1/0.75 [19.05]	1/0.75 [19.05]	1/0.75 [19.05]
<b>Outdoor Fan—Type</b>	Propeller	Propeller	Propeller	Propeller
No. Used/Diameter in. [mm]	1/22 [558.8]	1/22 [558.8]	1/22 [558.8]	1/22 [558.8]
Drive Type/No. Speeds	Direct/1	Direct/1	Direct/1	Direct/1
CFM [L/s]	2700 [1274]	2700 [1274]	2700 [1274]	2700 [1274]
No. Motors/HP	1 at 1/3 HP	1 at 1/3 HP	1 at 1/3 HP	1 at 1/3 HP
Motor RPM	1075	1075	1075	1075
<b>Indoor Fan—Type</b>	FC Centrifugal	FC Centrifugal	FC Centrifugal	FC Centrifugal
No. Used/Diameter in. [mm]	1/10x9 [254x229]	1/10x9 [254x229]	1/10x9 [254x229]	1/10x9 [254x229]
Drive Type/No. Speeds	Direct/3	Direct/3	Direct/3	Direct/2
No. Motors	1	1	1	1
Motor HP	1/2	1/2	1/2	1/2
Motor RPM	1075	1075	1075	1075
Motor Frame Size	48	48	48	48
<b>Filter—Type</b>	Field Supplied	Field Supplied	Field Supplied	Field Supplied
Furnished	No	No	No	No
(No.) Size Recommended in. [mm]	(1)1x24x24 [25x610x610]	(1)1x24x24 [25x610x610]	(1)1x24x24 [25x610x610]	(1)1x24x24 [25x610x610]
<b>Refrigerant Charge Oz. [g]</b>	92.8 [2631]	92.8 [2631]	92.8 [2631]	92.8 [2631]
<b>Weights</b>				
Net Weight lbs. [kg]	417 [189]	422 [191]	426 [193]	417 [189]
Ship Weight lbs. [kg]	457 [207]	462 [210]	466 [211]	457 [207]

See Page 29 for Notes.

[ ] Designates Metric Conversions

## NOMINAL SIZES 2-5 TONS [7.0-17.6 kW]

Model RRNL- Series	B036DK08	B036DK10	B036JK04(E/X)	B036JK06(E/X)
<b>Cooling Performance<sup>1</sup></b>				<b>CONTINUED</b> →
Gross Cooling Capacity Btu [kW]	37,000 [10.84]	37,000 [10.84]	37,000 [10.84]	37,000 [10.84]
EER/SEER <sup>2</sup>	11.3/13	11.3/13	11.3/13	11.3/13
Nominal CFM/AHRI Rated CFM [L/s]	1187/1200 [560/566]	1187/1200 [560/566]	1187/1200 [560/566]	1187/1200 [560/566]
AHRI Net Cooling Capacity Btu [kW]	35,600 [10.43]	35,600 [10.43]	35,600 [10.43]	35,600 [10.43]
Net Sensible Capacity Btu [kW]	26,390 [7.73]	26,390 [7.73]	26,390 [7.73]	26,390 [7.73]
Net Latent Capacity Btu [kW]	9,210 [2.7]	9,210 [2.7]	9,210 [2.7]	9,210 [2.7]
Net System Power [kW]	3.15	3.15	3.15	3.15
<b>Heating Performance (Gas)<sup>3</sup></b>				
Heating Input Btu [kW]	80,000 [23.44]	100,000 [29.3]	40,000 [11.72]	60,000 [17.58]
Heating Output Btu [kW]	64,800 [18.99]	81,000 [23.73]	31,000 [9.08]	47,000 [13.77]
Temperature Rise Range °F [°C]	40-70 [22.2/38.9]	45-85 [25/47.2]	20-50 [11.1/27.8]	30-60 [16.7/33.3]
AFUE (%) <sup>4</sup>	80	80	80	80
Steady State Efficiency (%)	81	81	81	81
No. Burners	4	5	2	3
No. Stages	1	1	1	1
Gas Connection Pipe Size in. [mm]	0.5 [12.7]	0.5 [12.7]	0.5 [12.7]	0.5 [12.7]
<b>Compressor</b>				
No./Type	1/Scroll	1/Scroll	1/Scroll	1/Scroll
<b>Outdoor Sound Rating (dB)<sup>5</sup></b>	76	76	76	76
<b>Outdoor Coil—Fin Type</b>	Louvered	Louvered	Louvered	Louvered
Tube Type	Rifled	Rifled	Rifled	Rifled
Tube Size in. [mm] OD	0.375 [9.5]	0.375 [9.5]	0.375 [9.5]	0.375 [9.5]
Face Area sq. ft. [sq. m]	14.8 [1.37]	14.8 [1.37]	14.8 [1.37]	14.8 [1.37]
Rows / FPI [FPcm]	1 / 22 [9]	1 / 22 [9]	1 / 22 [9]	1 / 22 [9]
<b>Indoor Coil—Fin Type</b>	Louvered	Louvered	Louvered	Louvered
Tube Type	Rifled	Rifled	Rifled	Rifled
Tube Size in. [mm]	0.375 [9.5]	0.375 [9.5]	0.375 [9.5]	0.375 [9.5]
Face Area sq. ft. [sq. m]	5.54 [0.51]	5.54 [0.51]	5.54 [0.51]	5.54 [0.51]
Rows / FPI [FPcm]	2 / 15 [6]	2 / 15 [6]	2 / 15 [6]	2 / 15 [6]
Refrigerant Control	TX Valves	TX Valves	TX Valves	TX Valves
Drain Connection No./Size in. [mm]	1/0.75 [19.05]	1/0.75 [19.05]	1/0.75 [19.05]	1/0.75 [19.05]
<b>Outdoor Fan—Type</b>	Propeller	Propeller	Propeller	Propeller
No. Used/Diameter in. [mm]	1/22 [558.8]	1/22 [558.8]	1/22 [558.8]	1/22 [558.8]
Drive Type/No. Speeds	Direct/1	Direct/1	Direct/1	Direct/1
CFM [L/s]	2700 [1274]	2700 [1274]	2700 [1274]	2700 [1274]
No. Motors/HP	1 at 1/3 HP	1 at 1/3 HP	1 at 1/3 HP	1 at 1/3 HP
Motor RPM	1075	1075	1075	1075
<b>Indoor Fan—Type</b>	FC Centrifugal	FC Centrifugal	FC Centrifugal	FC Centrifugal
No. Used/Diameter in. [mm]	1/10x9 [254x229]	1/10x9 [254x229]	1/10x9 [254x229]	1/10x9 [254x229]
Drive Type/No. Speeds	Direct/2	Direct/2	Direct/3	Direct/3
No. Motors	1	1	1	1
Motor HP	1/2	1/2	1/2	1/2
Motor RPM	1075	1075	1075	1075
Motor Frame Size	48	48	48	48
<b>Filter—Type</b>	Field Supplied	Field Supplied	Field Supplied	Field Supplied
Furnished	No	No	No	No
(No.) Size Recommended in. [mm]	(1)1x24x24 [25x610x610]	(1)1x24x24 [25x610x610]	(1)1x24x24 [25x610x610]	(1)1x24x24 [25x610x610]
<b>Refrigerant Charge Oz. [g]</b>	92.8 [2631]	92.8 [2631]	92.8 [2631]	92.8 [2631]
<b>Weights</b>				
Net Weight lbs. [kg]	422 [191]	426 [193]	412 [187]	417 [189]
Ship Weight lbs. [kg]	462 [210]	466 [211]	452 [205]	457 [207]

See Page 29 for Notes.

[ ] Designates Metric Conversions

## NOMINAL SIZES 2-5 TONS [7.0-17.6 kW]

Model RRNL- Series	B036JK08(E/X)	B036JK10(E/X)	B042CK04	B042CK06
<b>Cooling Performance<sup>1</sup></b>				<b>CONTINUED</b> →
Gross Cooling Capacity Btu [kW]	37,000 [10.84]	37,000 [10.84]	44,000 [12.89]	44,000 [12.89]
EER/SEER <sup>2</sup>	11.3/13	11.3/13	11.2/13	11.2/13
Nominal CFM/AHRI Rated CFM [L/s]	1187/1200 [560/566]	1187/1200 [560/566]	1400/1400 [661/661]	1400/1400 [661/661]
AHRI Net Cooling Capacity Btu [kW]	35,600 [10.43]	35,600 [10.43]	42,000 [12.31]	42,000 [12.31]
Net Sensible Capacity Btu [kW]	26,390 [7.73]	26,390 [7.73]	30,510 [8.94]	30,510 [8.94]
Net Latent Capacity Btu [kW]	9,210 [2.7]	9,210 [2.7]	11,490 [3.37]	11,490 [3.37]
Net System Power [kW]	3.15	3.15	3.73	3.73
<b>Heating Performance (Package Gas/Electric)<sup>3</sup></b>				
Heating Input Btu [kW]	80,000 [23.44]	100,000 [29.3]	40,000 [11.72]	60,000 [17.58]
Heating Output Btu [kW]	62,000 [18.17]	77,000 [22.56]	32,400 [9.49]	48,600 [14.24]
Temperature Rise Range °F [°C]	40-70 [22.2/38.9]	45-85 [25/47.2]	20-50 [11.1/27.8]	30-60 [16.7/33.3]
AFUE (%) <sup>4</sup>	80	80	80	80
Steady State Efficiency (%)	81	81	81	81
No. Burners	4	5	2	3
No. Stages	1	1	1	1
Gas Connection Pipe Size in. [mm]	0.5 [12.7]	0.5 [12.7]	0.5 [12.7]	0.5 [12.7]
<b>Compressor</b>				
No./Type	1/Scroll	1/Scroll	1/Scroll	1/Scroll
<b>Outdoor Sound Rating (dB)<sup>5</sup></b>	76	76	76	76
<b>Outdoor Coil—Fin Type</b>	Louvered	Louvered	Louvered	Louvered
Tube Type	Rifled	Rifled	Rifled	Rifled
Tube Size in. [mm] OD	0.375 [9.5]	0.375 [9.5]	0.375 [9.5]	0.375 [9.5]
Face Area sq. ft. [sq. m]	14.8 [1.37]	14.8 [1.37]	16.65 [1.55]	16.65 [1.55]
Rows / FPI [FPcm]	1 / 22 [9]	1 / 22 [9]	1 / 22 [9]	1 / 22 [9]
<b>Indoor Coil—Fin Type</b>	Louvered	Louvered	Louvered	Louvered
Tube Type	Rifled	Rifled	Rifled	Rifled
Tube Size in. [mm]	0.375 [9.5]	0.375 [9.5]	0.375 [9.5]	0.375 [9.5]
Face Area sq. ft. [sq. m]	5.54 [0.51]	5.54 [0.51]	7.39 [0.69]	7.39 [0.69]
Rows / FPI [FPcm]	2 / 15 [6]	2 / 15 [6]	2 / 15 [6]	2 / 15 [6]
Refrigerant Control	TX Valves	TX Valves	TX Valves	TX Valves
Drain Connection No./Size in. [mm]	1/0.75 [19.05]	1/0.75 [19.05]	1/0.75 [19.05]	1/0.75 [19.05]
<b>Outdoor Fan—Type</b>	Propeller	Propeller	Propeller	Propeller
No. Used/Diameter in. [mm]	1/22 [558.8]	1/22 [558.8]	1/22 [558.8]	1/22 [558.8]
Drive Type/No. Speeds	Direct/1	Direct/1	Direct/1	Direct/1
CFM [L/s]	2700 [1274]	2700 [1274]	3500 [1652]	3500 [1652]
No. Motors/HP	1 at 1/3 HP	1 at 1/3 HP	1 at 1/3 HP	1 at 1/3 HP
Motor RPM	1075	1075	1075	1075
<b>Indoor Fan—Type</b>	FC Centrifugal	FC Centrifugal	FC Centrifugal	FC Centrifugal
No. Used/Diameter in. [mm]	1/10x9 [254x229]	1/10x9 [254x229]	1/10x9 [254x229]	1/10x9 [254x229]
Drive Type/No. Speeds	Direct/3	Direct/3	Direct/3	Direct/3
No. Motors	1	1	1	1
Motor HP	1/2	1/2	1/2	1/2
Motor RPM	1075	1075	1075	1075
Motor Frame Size	48	48	48	48
<b>Filter—Type</b>	Field Supplied	Field Supplied	Field Supplied	Field Supplied
Furnished	No	No	No	No
(No.) Size Recommended in. [mm]	(1)1x24x24 [25x610x610]	(1)1x24x24 [25x610x610]	(1)1x24x24 [25x610x610]	(1)1x24x24 [25x610x610]
<b>Refrigerant Charge Oz. [g]</b>	92.8 [2631]	92.8 [2631]	112 [3175]	112 [3175]
<b>Weights</b>				
Net Weight lbs. [kg]	422 [191]	426 [193]	422 [191]	427 [194]
Ship Weight lbs. [kg]	462 [210]	466 [211]	462 [210]	467 [212]

See Page 29 for Notes.

[ ] Designates Metric Conversions

## NOMINAL SIZES 2-5 TONS [7.0-17.6 kW]

Model RRNL- Series	B042CK08	B042CK10	B042JK04(E/X)	B042JK06(E/X)
<b>Cooling Performance<sup>1</sup></b>				<b>CONTINUED</b> →
Gross Cooling Capacity Btu [kW]	44,000 [12.89]	44,000 [12.89]	44,000 [12.89]	44,000 [12.89]
EER/SEER <sup>2</sup>	11.2/13	11.2/13	11.2/13	11.2/13
Nominal CFM/AHRI Rated CFM [L/s]	1400/1400 [661/661]	1400/1400 [661/661]	1400/1400 [661/661]	1400/1400 [661/661]
AHRI Net Cooling Capacity Btu [kW]	42,000 [12.31]	42,000 [12.31]	42,000 [12.31]	42,000 [12.31]
Net Sensible Capacity Btu [kW]	30,510 [8.94]	30,510 [8.94]	30,510 [8.94]	30,510 [8.94]
Net Latent Capacity Btu [kW]	11,490 [3.37]	11,490 [3.37]	11,490 [3.37]	11,490 [3.37]
Net System Power [kW]	3.73	3.73	3.73	3.73
<b>Heating Performance (Package Gas/Electric)<sup>3</sup></b>				
Heating Input Btu [kW]	80,000 [23.44]	100,000 [29.3]	40,000 [11.72]	60,000 [17.58]
Heating Output Btu [kW]	64,800 [18.99]	81,000 [23.73]	31,000 [9.08]	47,000 [13.77]
Temperature Rise Range °F [°C]	40-70 [22.2/38.9]	45-85 [25/47.2]	20-50 [11.1/27.8]	30-60 [16.7/33.3]
AFUE (%) <sup>4</sup>	80	80	80	80
Steady State Efficiency (%)	81	81	81	81
No. Burners	4	5	2	3
No. Stages	1	1	1	1
Gas Connection Pipe Size in. [mm]	0.5 [12.7]	0.5 [12.7]	0.5 [12.7]	0.5 [12.7]
<b>Compressor</b>				
No./Type	1/Scroll	1/Scroll	1/Scroll	1/Scroll
<b>Outdoor Sound Rating (dB)<sup>5</sup></b>				
	76	76	76	76
<b>Outdoor Coil—Fin Type</b>				
Tube Type	Louvered	Louvered	Louvered	Louvered
Tube Size in. [mm] OD	Rifled	Rifled	Rifled	Rifled
Face Area sq. ft. [sq. m]	0.375 [9.5]	0.375 [9.5]	0.375 [9.5]	0.375 [9.5]
Rows / FPI [FPcm]	16.65 [1.55]	16.65 [1.55]	16.65 [1.55]	16.65 [1.55]
	1 / 22 [9]	1 / 22 [9]	1 / 22 [9]	1 / 22 [9]
<b>Indoor Coil—Fin Type</b>				
Tube Type	Louvered	Louvered	Louvered	Louvered
Tube Size in. [mm]	Rifled	Rifled	Rifled	Rifled
Face Area sq. ft. [sq. m]	0.375 [9.5]	0.375 [9.5]	0.375 [9.5]	0.375 [9.5]
Rows / FPI [FPcm]	7.39 [0.69]	7.39 [0.69]	7.39 [0.69]	7.39 [0.69]
	2 / 15 [6]	2 / 15 [6]	2 / 15 [6]	2 / 15 [6]
Refrigerant Control	TX Valves	TX Valves	TX Valves	TX Valves
Drain Connection No./Size in. [mm]	1/0.75 [19.05]	1/0.75 [19.05]	1/0.75 [19.05]	1/0.75 [19.05]
<b>Outdoor Fan—Type</b>				
No. Used/Diameter in. [mm]	Propeller	Propeller	Propeller	Propeller
Drive Type/No. Speeds	1/22 [558.8]	1/22 [558.8]	1/22 [558.8]	1/22 [558.8]
CFM [L/s]	Direct/1	Direct/1	Direct/1	Direct/1
No. Motors/HP	3500 [1652]	3500 [1652]	3500 [1652]	3500 [1652]
Motor RPM	1 at 1/3 HP	1 at 1/3 HP	1 at 1/3 HP	1 at 1/3 HP
	1075	1075	1075	1075
<b>Indoor Fan—Type</b>				
No. Used/Diameter in. [mm]	FC Centrifugal	FC Centrifugal	FC Centrifugal	FC Centrifugal
Drive Type/No. Speeds	1/10x9 [254x229]	1/10x9 [254x229]	1/10x9 [254x229]	1/10x9 [254x229]
No. Motors	Direct/3	Direct/3	Direct/3	Direct/3
Motor HP	1	1	1	1
Motor RPM	1/2	1/2	1/2	1/2
Motor Frame Size	1075	1075	1075	1075
	48	48	48	48
<b>Filter—Type</b>				
Furnished	Field Supplied	Field Supplied	Field Supplied	Field Supplied
(No.) Size Recommended in. [mm]	No	No	No	No
	(1)1x24x24 [25x610x610]	(1)1x24x24 [25x610x610]	(1)1x24x24 [25x610x610]	(1)1x24x24 [25x610x610]
<b>Refrigerant Charge Oz. [g]</b>				
	112 [3175]	112 [3175]	112 [3175]	112 [3175]
<b>Weights</b>				
Net Weight lbs. [kg]	432 [196]	437 [198]	422 [191]	427 [194]
Ship Weight lbs. [kg]	472 [214]	477 [216]	462 [210]	467 [212]

See Page 29 for Notes.

[ ] Designates Metric Conversions

## NOMINAL SIZES 2-5 TONS [7.0-17.6 kW]

Model RRNL- Series	B042JK08(E/X)	B042JK10(E/X)	B048CK06	B048CK08
<b>Cooling Performance<sup>1</sup></b>				<b>CONTINUED</b> →
Gross Cooling Capacity Btu [kW]	44,000 [12.89]	44,000 [12.89]	50,000 [14.65]	50,000 [14.65]
EER/SEER <sup>2</sup>	11.2/13	11.2/13	11.2/13	11.2/13
Nominal CFM/AHRI Rated CFM [L/s]	1400/1400 [661/661]	1400/1400 [661/661]	1600/1600 [755/755]	1600/1600 [755/755]
AHRI Net Cooling Capacity Btu [kW]	42,000 [12.31]	42,000 [12.31]	48,000 [14.06]	48,000 [14.06]
Net Sensible Capacity Btu [kW]	30,510 [8.94]	30,510 [8.94]	33,990 [9.96]	33,990 [9.96]
Net Latent Capacity Btu [kW]	11,490 [3.37]	11,490 [3.37]	14,010 [4.1]	14,010 [4.1]
Net System Power [kW]	3.73	3.73	4.28	4.28
<b>Heating Performance (Package Gas/Electric)<sup>3</sup></b>				
Heating Input Btu [kW]	80,000 [23.44]	100,000 [29.3]	60,000 [17.58]	80,000 [23.44]
Heating Output Btu [kW]	62,000 [18.17]	77,000 [22.56]	48,600 [14.24]	64,800 [18.99]
Temperature Rise Range °F [°C]	40-70 [22.2/38.9]	45-85 [25/47.2]	30-60 [16.7/33.3]	40-70 [22.2/38.9]
AFUE (%) <sup>4</sup>	80	80	80	80
Steady State Efficiency (%)	81	81	81	81
No. Burners	4	5	3	4
No. Stages	1	1	1	1
Gas Connection Pipe Size in. [mm]	0.5 [12.7]	0.5 [12.7]	0.5 [12.7]	0.5 [12.7]
<b>Compressor</b>				
No./Type	1/Scroll	1/Scroll	1/Scroll	1/Scroll
<b>Outdoor Sound Rating (dB)<sup>5</sup></b>	76	76	78	78
<b>Outdoor Coil—Fin Type</b>	Louvered	Louvered	Louvered	Louvered
Tube Type	Rifled	Rifled	Rifled	Rifled
Tube Size in. [mm] OD	0.375 [9.5]	0.375 [9.5]	0.375 [9.5]	0.375 [9.5]
Face Area sq. ft. [sq. m]	16.65 [1.55]	16.65 [1.55]	16.23 [1.51]	16.23 [1.51]
Rows / FPI [FPcm]	1 / 22 [9]	1 / 22 [9]	2 / 22 [9]	2 / 22 [9]
<b>Indoor Coil—Fin Type</b>	Louvered	Louvered	Louvered	Louvered
Tube Type	Rifled	Rifled	Rifled	Rifled
Tube Size in. [mm]	0.375 [9.5]	0.375 [9.5]	0.375 [9.5]	0.375 [9.5]
Face Area sq. ft. [sq. m]	7.39 [0.69]	7.39 [0.69]	7.39 [0.69]	7.39 [0.69]
Rows / FPI [FPcm]	2 / 15 [6]	2 / 15 [6]	2 / 15 [6]	2 / 15 [6]
Refrigerant Control	TX Valves	TX Valves	TX Valves	TX Valves
Drain Connection No./Size in. [mm]	1/0.75 [19.05]	1/0.75 [19.05]	1/0.75 [19.05]	1/0.75 [19.05]
<b>Outdoor Fan—Type</b>	Propeller	Propeller	Propeller	Propeller
No. Used/Diameter in. [mm]	1/22 [558.8]	1/22 [558.8]	1/22 [558.8]	1/22 [558.8]
Drive Type/No. Speeds	Direct/1	Direct/1	Direct/1	Direct/1
CFM [L/s]	3500 [1652]	3500 [1652]	3300 [1557]	3300 [1557]
No. Motors/HP	1 at 1/3 HP	1 at 1/3 HP	1 at 1/3 HP	1 at 1/3 HP
Motor RPM	1075	1075	1075	1075
<b>Indoor Fan—Type</b>	FC Centrifugal	FC Centrifugal	FC Centrifugal	FC Centrifugal
No. Used/Diameter in. [mm]	1/10x9 [254x229]	1/10x9 [254x229]	1/10x9 [254x229]	1/10x9 [254x229]
Drive Type/No. Speeds	Direct/3	Direct/3	Direct/3	Direct/3
No. Motors	1	1	1	1
Motor HP	1/2	1/2	3/4	3/4
Motor RPM	1075	1075	1075	1075
Motor Frame Size	48	48	48	48
<b>Filter—Type</b>	Field Supplied	Field Supplied	Field Supplied	Field Supplied
Furnished	No	No	No	No
(No.) Size Recommended in. [mm]	(1)1x24x24 [25x610x610]	(1)1x24x24 [25x610x610]	(1)1x24x24 [25x610x610]	(1)1x24x24 [25x610x610]
<b>Refrigerant Charge Oz. [g]</b>	112 [3175]	112 [3175]	161.2 [4570]	161.2 [4570]
<b>Weights</b>				
Net Weight lbs. [kg]	432 [196]	437 [198]	452 [205]	457 [207]
Ship Weight lbs. [kg]	472 [214]	477 [216]	492 [223]	497 [225]

See Page 29 for Notes.

[ ] Designates Metric Conversions

## NOMINAL SIZES 2-5 TONS [7.0-17.6 kW]

Model RRNL- Series	B048CK10	B048DK10	B048JK06(E/X)	B048JK08(E/X)
<b>Cooling Performance<sup>1</sup></b>				<b>CONTINUED</b> →
Gross Cooling Capacity Btu [kW]	50,000 [14.65]	50,000 [14.65]	50,000 [14.65]	50,000 [14.65]
EER/SEER <sup>2</sup>	11.2/13	11.2/13	11.2/13	11.2/13
Nominal CFM/AHRI Rated CFM [L/s]	1600/1600 [755/755]	1600/1600 [755/755]	1600/1600 [755/755]	1600/1600 [755/755]
AHRI Net Cooling Capacity Btu [kW]	48,000 [14.06]	48,000 [14.06]	48,000 [14.06]	48,000 [14.06]
Net Sensible Capacity Btu [kW]	33,990 [9.96]	33,990 [9.96]	33,990 [9.96]	33,990 [9.96]
Net Latent Capacity Btu [kW]	14,010 [4.1]	14,010 [4.1]	14,010 [4.1]	14,010 [4.1]
Net System Power [kW]	4.28	4.28	4.28	4.28
<b>Heating Performance (Package Gas/Electric)<sup>3</sup></b>				
Heating Input Btu [kW]	100,000 [29.3]	100,000 [29.3]	60,000 [17.58]	80,000 [23.44]
Heating Output Btu [kW]	81,000 [23.73]	81,000 [23.73]	47,000 [13.77]	62,000 [18.17]
Temperature Rise Range °F [°C]	45-85 [25/47.2]	45-85 [25/47.2]	30-60 [16.7/33.3]	40-70 [22.2/38.9]
AFUE (%) <sup>4</sup>	80	80	80	80
Steady State Efficiency (%)	81	81	81	81
No. Burners	5	5	3	4
No. Stages	1	1	1	1
Gas Connection Pipe Size in. [mm]	0.5 [12.7]	0.5 [12.7]	0.5 [12.7]	0.5 [12.7]
<b>Compressor</b>				
No./Type	1/Scroll	1/Scroll	1/Scroll	1/Scroll
<b>Outdoor Sound Rating (dB)<sup>5</sup></b>				
	78	78	78	78
<b>Outdoor Coil—Fin Type</b>				
Tube Type	Louvered	Louvered	Louvered	Louvered
Tube Size in. [mm] OD	Rifled	Rifled	Rifled	Rifled
Face Area sq. ft. [sq. m]	0.375 [9.5]	0.375 [9.5]	0.375 [9.5]	0.375 [9.5]
Rows / FPI [FPcm]	16.23 [1.51]	16.23 [1.51]	16.23 [1.51]	16.23 [1.51]
	2 / 22 [9]	2 / 22 [9]	2 / 22 [9]	2 / 22 [9]
<b>Indoor Coil—Fin Type</b>				
Tube Type	Louvered	Louvered	Louvered	Louvered
Tube Size in. [mm]	Rifled	Rifled	Rifled	Rifled
Face Area sq. ft. [sq. m]	0.375 [9.5]	0.375 [9.5]	0.375 [9.5]	0.375 [9.5]
Rows / FPI [FPcm]	7.39 [0.69]	7.39 [0.69]	7.39 [0.69]	7.39 [0.69]
	2 / 15 [6]	2 / 15 [6]	2 / 15 [6]	2 / 15 [6]
Refrigerant Control	TX Valves	TX Valves	TX Valves	TX Valves
Drain Connection No./Size in. [mm]	1/0.75 [19.05]	1/0.75 [19.05]	1/0.75 [19.05]	1/0.75 [19.05]
<b>Outdoor Fan—Type</b>				
No. Used/Diameter in. [mm]	Propeller	Propeller	Propeller	Propeller
Drive Type/No. Speeds	1/22 [558.8]	1/22 [558.8]	1/22 [558.8]	1/22 [558.8]
	Direct/1	Direct/1	Direct/1	Direct/1
CFM [L/s]	3300 [1557]	3300 [1557]	3300 [1557]	3300 [1557]
No. Motors/HP	1 at 1/3 HP	1 at 1/3 HP	1 at 1/3 HP	1 at 1/3 HP
Motor RPM	1075	1075	1075	1075
<b>Indoor Fan—Type</b>				
No. Used/Diameter in. [mm]	FC Centrifugal	FC Centrifugal	FC Centrifugal	FC Centrifugal
Drive Type/No. Speeds	1/10x9 [254x229]	1/10x9 [254x229]	1/10x9 [254x229]	1/10x9 [254x229]
	Direct/3	Direct/2	Direct/3	Direct/3
No. Motors	1	1	1	1
Motor HP	3/4	3/4	3/4	3/4
Motor RPM	1075	1075	1075	1075
Motor Frame Size	48	48	48	48
<b>Filter—Type</b>				
Furnished	Field Supplied	Field Supplied	Field Supplied	Field Supplied
(No.) Size Recommended in. [mm]	No	No	No	No
	(1)1x24x24 [25x610x610]	(1)1x24x24 [25x610x610]	(1)1x24x24 [25x610x610]	(1)1x24x24 [25x610x610]
<b>Refrigerant Charge Oz. [g]</b>				
	161.2 [4570]	161.2 [4570]	161.2 [4570]	161.2 [4570]
<b>Weights</b>				
Net Weight lbs. [kg]	462 [210]	462 [210]	461 [209]	466 [211]
Ship Weight lbs. [kg]	502 [228]	502 [228]	501 [227]	506 [230]

See Page 29 for Notes.

[ ] Designates Metric Conversions

## NOMINAL SIZES 2-5 TONS [7.0-17.6 kW]

Model RRNL- Series	B048JK10(E/X)	C060CK10	C060DK10	C060JK10(E/X)
<b>Cooling Performance<sup>1</sup></b>				
Gross Cooling Capacity Btu [kW]	50,000 [14.65]	59,500 [17.43]	59,500 [17.43]	59,500 [17.43]
EER/SEER <sup>2</sup>	11.2/13	10.5/13	10.5/13	10.5/13
Nominal CFM/AHRI Rated CFM [L/s]	1600/1600 [755/755]	2000/1850 [944/873]	2000/1850 [944/873]	1900/1850 [897/873]
AHRI Net Cooling Capacity Btu [kW]	48,000 [14.06]	57,500 [16.85]	57,500 [16.85]	57,500 [16.85]
Net Sensible Capacity Btu [kW]	33,990 [9.96]	40,460 [11.85]	40,460 [11.85]	40,460 [11.85]
Net Latent Capacity Btu [kW]	14,010 [4.1]	17,040 [4.99]	17,040 [4.99]	17,040 [4.99]
Net System Power [kW]	4.28	5.48	5.48	5.48
<b>Heating Performance (Package Gas/Electric)<sup>3</sup></b>				
Heating Input Btu [kW]	100,000 [29.3]	100,000 [29.3]	100,000 [29.3]	100,000 [29.3]
Heating Output Btu [kW]	77,000 [22.56]	81,000 [23.73]	81,000 [23.73]	77,000 [22.56]
Temperature Rise Range °F [°C]	45-85 [25/47.2]	45-85 [25/47.2]	45-85 [25-47.2]	45-85 [25/47.2]
AFUE (%) <sup>4</sup>	80	80	80	80
Steady State Efficiency (%)	81	81	81	81
No. Burners	5	5	5	5
No. Stages	1	1	1	1
Gas Connection Pipe Size in. [mm]	0.5 [12.7]	0.5 [12.7]	0.5 [12.7]	0.5 [12.7]
<b>Compressor</b>				
No./Type	1/Scroll	1/Scroll	1/Scroll	1/Scroll
<b>Outdoor Sound Rating (dB)<sup>5</sup></b>				
	78	78	79	78
<b>Outdoor Coil—Fin Type</b>				
Tube Type	Louvered	Louvered	Louvered	Louvered
Tube Size in. [mm] OD	Rifled	Rifled	Rifled	Rifled
Face Area sq. ft. [sq. m]	0.375 [9.5]	0.375 [9.5]	0.375 [9.5]	0.375 [9.5]
Rows / FPI [FPcm]	16.23 [1.51]	16.23 [1.51]	16.23 [1.51]	16.23 [1.51]
	2 / 22 [9]	2 / 22 [9]	2 / 22 [9]	2 / 22 [9]
<b>Indoor Coil—Fin Type</b>				
Tube Type	Louvered	Louvered	Louvered	Louvered
Tube Size in. [mm]	Rifled	Rifled	Rifled	Rifled
Face Area sq. ft. [sq. m]	0.375 [9.5]	0.375 [9.5]	0.375 [9.5]	0.375 [9.5]
Rows / FPI [FPcm]	7.39 [0.69]	7.39 [0.69]	7.39 [0.69]	7.39 [0.69]
	2 / 15 [6]	2 / 15 [6]	2 / 15 [6]	2 / 15 [6]
Refrigerant Control	TX Valves	TX Valves	TX Valves	TX Valves
Drain Connection No./Size in. [mm]	1/0.75 [19.05]	1/0.75 [19.05]	1/0.75 [19.05]	1/0.75 [19.05]
<b>Outdoor Fan—Type</b>				
No. Used/Diameter in. [mm]	Propeller	Propeller	Propeller	Propeller
Drive Type/No. Speeds	1/22 [558.8]	1/22 [558.8]	1/22 [558.8]	1/22 [558.8]
CFM [L/s]	Direct/1	Direct/1	Direct/1	Direct/1
No. Motors/HP	3300 [1557]	3300 [1557]	3400 [1604]	3300 [1557]
Motor RPM	1 at 1/3 HP	1 at 1/3 HP	1 at 1/3 HP	1 at 1/3 HP
	1075	1075	1075	1075
<b>Indoor Fan—Type</b>				
No. Used/Diameter in. [mm]	FC Centrifugal	FC Centrifugal	FC Centrifugal	FC Centrifugal
Drive Type/No. Speeds	1/10x9 [254x229]	1/12x9 [305x229]	1/12x9 [305x229]	1/12x9 [305x229]
No. Motors	Direct/3	Direct/3	Direct/3	Direct/3
Motor HP	1	1	1	1
Motor RPM	3/4	1	1	1
Motor Frame Size	1075	1075	1075	1075
	48	48	48	48
<b>Filter—Type</b>				
Furnished	Field Supplied	Field Supplied	Field Supplied	Field Supplied
(No.) Size Recommended in. [mm]	No	No	No	No
	(1)1x24x24 [25x610x610]	(1)1x24x30 [25x610x762]	(1)1x24x30 [25x610x762]	(1)1x24x30 [25x610x762]
<b>Refrigerant Charge Oz. [g]</b>				
	161.2 [4570]	172.8 [4899]	172.8 [4899]	172.8 [4899]
<b>Weights</b>				
Net Weight lbs. [kg]	471 [214]	532 [241]	564 [256]	532 [241]
Ship Weight lbs. [kg]	511 [232]	577 [262]	573 [260]	577 [262]

See Page 29 for Notes.

[ ] Designates Metric Conversions



## NOMINAL SIZES 2-5 TONS [7.0-17.6 kW]

Model RRPL- Series	B024JK04(E/X)	B024JK06(E/X)	B024JK08(E/X)	B030JK04(E/X)
<b>Cooling Performance<sup>1</sup></b>				<b>CONTINUED</b> →
Gross Cooling Capacity Btu [kW]	24,400 [7.15]	24,400 [7.15]	24,400 [7.15]	29,600 [8.67]
EER/SEER <sup>2</sup>	12/14	12/14	12/14	12/14
Nominal CFM/AHRI Rated CFM [L/s]	800/800 [378/378]	800/800 [378/378]	800/800 [378/378]	967/1000 [456/472]
AHRI Net Cooling Capacity Btu [kW]	24,000 [7.03]	24,000 [7.03]	24,000 [7.03]	29,200 [8.56]
Net Sensible Capacity Btu [kW]	17,790 [5.21]	17,790 [5.21]	17,790 [5.21]	21,700 [6.36]
Net Latent Capacity Btu [kW]	6,210 [1.82]	6,210 [1.82]	6,210 [1.82]	7,500 [2.2]
Net System Power [kW]	2.01	2.01	2.01	2.43
<b>Heating Performance (Package Gas/Electric)<sup>3</sup></b>				
Heating Input Btu [kW]	40,000 [11.72]	60,000 [17.58]	80,000 [23.44]	40,000 [11.72]
Heating Output Btu [kW]	31,000 [9.08]	47,000 [13.77]	62,000 [18.17]	31,000 [9.08]
Temperature Rise Range °F [°C]	30-60 [16.7/33.3]	40-70 [22.2/38.9]	55-85 [30.6/47.2]	20-50 [11.1/27.8]
AFUE (%) <sup>4</sup>	80	80	80	80
Steady State Efficiency (%)	81	81	81	81
No. Burners	2	3	4	2
No. Stages	1	1	1	1
Gas Connection Pipe Size in. [mm]	0.5 [12.7]	0.5 [12.7]	0.5 [12.7]	0.5 [12.7]
<b>Compressor</b>				
No./Type	1/Scroll	1/Scroll	1/Scroll	1/Scroll
<b>Outdoor Sound Rating (dB)<sup>5</sup></b>	76	76	76	76
<b>Outdoor Coil—Fin Type</b>	Louvered	Louvered	Louvered	Louvered
Tube Type	Rifled	Rifled	Rifled	Rifled
Tube Size in. [mm] OD	0.375 [9.5]	0.375 [9.5]	0.375 [9.5]	0.375 [9.5]
Face Area sq. ft. [sq. m]	10.56 [0.98]	10.56 [0.98]	10.56 [0.98]	10.56 [0.98]
Rows / FPI [FPcm]	1 / 18 [7]	1 / 18 [7]	1 / 18 [7]	1 / 18 [7]
<b>Indoor Coil—Fin Type</b>	Louvered	Louvered	Louvered	Louvered
Tube Type	Rifled	Rifled	Rifled	Rifled
Tube Size in. [mm]	0.375 [9.5]	0.375 [9.5]	0.375 [9.5]	0.375 [9.5]
Face Area sq. ft. [sq. m]	5.54 [0.51]	5.54 [0.51]	5.54 [0.51]	5.54 [0.51]
Rows / FPI [FPcm]	2 / 15 [6]	2 / 15 [6]	2 / 15 [6]	2 / 15 [6]
Refrigerant Control	TX Valves	TX Valves	TX Valves	TX Valves
Drain Connection No./Size in. [mm]	1/0.75 [19.05]	1/0.75 [19.05]	1/0.75 [19.05]	1/0.75 [19.05]
<b>Outdoor Fan—Type</b>	Propeller	Propeller	Propeller	Propeller
No. Used/Diameter in. [mm]	1/22 [558.8]	1/22 [558.8]	1/22 [558.8]	1/22 [558.8]
Drive Type/No. Speeds	Direct/1	Direct/1	Direct/1	Direct/1
CFM [L/s]	2500 [1180]	2500 [1180]	2500 [1180]	2500 [1180]
No. Motors/HP	1 at 1/3 HP	1 at 1/3 HP	1 at 1/3 HP	1 at 1/3 HP
Motor RPM	1075	1075	1075	1075
<b>Indoor Fan—Type</b>	FC Centrifugal	FC Centrifugal	FC Centrifugal	FC Centrifugal
No. Used/Diameter in. [mm]	1/9x7 [229x178]	1/9x7 [229x178]	1/9x7 [229x178]	1/10x9 [254x229]
Drive Type/No. Speeds	Direct/2	Direct/2	Direct/2	Direct/3
No. Motors	1	1	1	1
Motor HP	1/3	1/3	1/3	1/2
Motor RPM	1075	1075	1075	1075
Motor Frame Size	48	48	48	48
<b>Filter—Type</b>	Field Supplied	Field Supplied	Field Supplied	Field Supplied
Furnished	No	No	No	No
(No.) Size Recommended in. [mm]	(1)1x20x20 [25x508x508]	(1)1x20x20 [25x508x508]	(1)1x20x20 [25x508x508]	(1)1x24x24 [25x610x610]
<b>Refrigerant Charge Oz. [g]</b>	77.8 [2206]	77.8 [2206]	77.8 [2206]	76.8 [2177]
<b>Weights</b>				
Net Weight lbs. [kg]	381 [173]	385 [175]	390 [177]	399 [181]
Ship Weight lbs. [kg]	421 [191]	425 [193]	430 [195]	439 [199]

See Page 29 for Notes.

[ ] Designates Metric Conversions

## NOMINAL SIZES 2-5 TONS [7.0-17.6 kW]

Model RRPL- Series	B030JK06(E/X)	B030JK08(E/X)	B030JK10(E/X)	B036CK04
<b>Cooling Performance<sup>1</sup></b>				<b>CONTINUED</b> →
Gross Cooling Capacity Btu [kW]	29,600 [8.67]	29,600 [8.67]	29,600 [8.67]	36,800 [10.78]
EER/SEER <sup>2</sup>	12/14	12/14	12/14	12/14
Nominal CFM/AHRI Rated CFM [L/s]	967/1000 [456/472]	967/1000 [456/472]	967/1000 [456/472]	1200/1200 [566/566]
AHRI Net Cooling Capacity Btu [kW]	29,200 [8.56]	29,200 [8.56]	29,200 [8.56]	36,000 [10.55]
Net Sensible Capacity Btu [kW]	21,700 [6.36]	21,700 [6.36]	21,700 [6.36]	26,420 [7.74]
Net Latent Capacity Btu [kW]	7,500 [2.2]	7,500 [2.2]	7,500 [2.2]	9,580 [2.81]
Net System Power [kW]	2.43	2.43	2.43	3
<b>Heating Performance (Package Gas/Electric)<sup>3</sup></b>				
Heating Input Btu [kW]	60,000 [17.58]	80,000 [23.44]	100,000 [29.3]	40,000 [11.72]
Heating Output Btu [kW]	47,000 [13.77]	62,000 [18.17]	77,000 [22.56]	32,400 [9.49]
Temperature Rise Range °F [°C]	30-60 [16.7/33.3]	40-70 [22.2/38.9]	45-85 [25/47.2]	20-50 [11.1/27.8]
AFUE (%) <sup>4</sup>	80	80	80	80
Steady State Efficiency (%)	81	81	81	81
No. Burners	3	4	5	2
No. Stages	1	1	1	1
Gas Connection Pipe Size in. [mm]	0.5 [12.7]	0.5 [12.7]	0.5 [12.7]	0.5 [12.7]
<b>Compressor</b>				
No./Type	1/Scroll	1/Scroll	1/Scroll	1/Scroll
<b>Outdoor Sound Rating (dB)<sup>5</sup></b>	76	76	76	76
<b>Outdoor Coil—Fin Type</b>	Louvered	Louvered	Louvered	Louvered
Tube Type	Rifled	Rifled	Rifled	Rifled
Tube Size in. [mm] OD	0.375 [9.5]	0.375 [9.5]	0.375 [9.5]	0.375 [9.5]
Face Area sq. ft. [sq. m]	10.56 [0.98]	10.56 [0.98]	10.56 [0.98]	14.8 [1.37]
Rows / FPI [FPcm]	1 / 18 [7]	1 / 18 [7]	1 / 18 [7]	1 / 22 [9]
<b>Indoor Coil—Fin Type</b>	Louvered	Louvered	Louvered	Louvered
Tube Type	Rifled	Rifled	Rifled	Rifled
Tube Size in. [mm]	0.375 [9.5]	0.375 [9.5]	0.375 [9.5]	0.375 [9.5]
Face Area sq. ft. [sq. m]	5.54 [0.51]	5.54 [0.51]	5.54 [0.51]	5.54 [0.51]
Rows / FPI [FPcm]	2 / 15 [6]	2 / 15 [6]	2 / 15 [6]	2 / 15 [6]
Refrigerant Control	TX Valves	TX Valves	TX Valves	TX Valves
Drain Connection No./Size in. [mm]	1/0.75 [19.05]	1/0.75 [19.05]	1/0.75 [19.05]	1/0.75 [19.05]
<b>Outdoor Fan—Type</b>	Propeller	Propeller	Propeller	Propeller
No. Used/Diameter in. [mm]	1/22 [558.8]	1/22 [558.8]	1/22 [558.8]	1/22 [558.8]
Drive Type/No. Speeds	Direct/1	Direct/1	Direct/1	Direct/1
CFM [L/s]	2500 [1180]	2500 [1180]	2500 [1180]	2700 [1274]
No. Motors/HP	1 at 1/3 HP	1 at 1/3 HP	1 at 1/3 HP	1 at 1/3 HP
Motor RPM	1075	1075	1075	1075
<b>Indoor Fan—Type</b>	FC Centrifugal	FC Centrifugal	FC Centrifugal	FC Centrifugal
No. Used/Diameter in. [mm]	1/10x9 [254x229]	1/10x9 [254x229]	1/10x9 [254x229]	1/10x9 [254x229]
Drive Type/No. Speeds	Direct/3	Direct/3	Direct/3	Direct/3
No. Motors	1	1	1	1
Motor HP	1/2	1/2	1/2	1/2
Motor RPM	1075	1075	1075	1075
Motor Frame Size	48	48	48	48
<b>Filter—Type</b>	Field Supplied	Field Supplied	Field Supplied	Field Supplied
Furnished	No	No	No	No
(No.) Size Recommended in. [mm]	(1)1x24x24 [25x610x610]	(1)1x24x24 [25x610x610]	(1)1x24x24 [25x610x610]	(1)1x24x24 [25x610x610]
<b>Refrigerant Charge Oz. [g]</b>	76.8 [2177]	76.8 [2177]	76.8 [2177]	92.8 [2631]
<b>Weights</b>				
Net Weight lbs. [kg]	404 [183]	409 [186]	414 [188]	412 [187]
Ship Weight lbs. [kg]	444 [201]	449 [204]	454 [206]	452 [205]

See Page 29 for Notes.

[ ] Designates Metric Conversions

## NOMINAL SIZES 2-5 TONS [7.0-17.6 kW]

Model RRPL- Series	B036CK06	B036CK08	B036CK10	B036DK06
<b>Cooling Performance<sup>1</sup></b>				<b>CONTINUED</b> →
Gross Cooling Capacity Btu [kW]	36,800 [10.78]	36,800 [10.78]	36,800 [10.78]	36,800 [10.78]
EER/SEER <sup>2</sup>	12/14	12/14	12/14	12/14
Nominal CFM/AHRI Rated CFM [L/s]	1200/1200 [566/566]	1200/1200 [566/566]	1200/1200 [566/566]	1200/1200 [566/566]
AHRI Net Cooling Capacity Btu [kW]	36,000 [10.55]	36,000 [10.55]	36,000 [10.55]	36,000 [10.55]
Net Sensible Capacity Btu [kW]	26,420 [7.74]	26,420 [7.74]	26,420 [7.74]	26,420 [7.74]
Net Latent Capacity Btu [kW]	9,580 [2.81]	9,580 [2.81]	9,580 [2.81]	9,580 [2.81]
Net System Power [kW]	3	3	3	2.94
<b>Heating Performance (Package Gas/Electric)<sup>3</sup></b>				
Heating Input Btu [kW]	60,000 [17.58]	80,000 [23.44]	100,000 [29.3]	60,000 [17.58]
Heating Output Btu [kW]	48,600 [14.24]	64,800 [18.99]	81,000 [23.73]	48,600 [14.24]
Temperature Rise Range °F [°C]	30-60 [16.7/33.3]	40-70 [22.2/38.9]	45-85 [25/47.2]	30-60 [16.7-33.3]
AFUE (%) <sup>4</sup>	80	80	80	80
Steady State Efficiency (%)	81	81	81	81
No. Burners	3	4	5	3
No. Stages	1	1	1	1
Gas Connection Pipe Size in. [mm]	0.5 [12.7]	0.5 [12.7]	0.5 [12.7]	0.5 [12.7]
<b>Compressor</b>				
No./Type	1/Scroll	1/Scroll	1/Scroll	1/Scroll
<b>Outdoor Sound Rating (dB)<sup>5</sup></b>	76	76	76	76
<b>Outdoor Coil—Fin Type</b>	Louvered	Louvered	Louvered	Louvered
Tube Type	Rifled	Rifled	Rifled	Rifled
Tube Size in. [mm] OD	0.375 [9.5]	0.375 [9.5]	0.375 [9.5]	0.375 [9.5]
Face Area sq. ft. [sq. m]	14.8 [1.37]	14.8 [1.37]	14.8 [1.37]	14.8 [1.37]
Rows / FPI [FPcm]	1 / 22 [9]	1 / 22 [9]	1 / 22 [9]	1 / 22 [9]
<b>Indoor Coil—Fin Type</b>	Louvered	Louvered	Louvered	Louvered
Tube Type	Rifled	Rifled	Rifled	Rifled
Tube Size in. [mm]	0.375 [9.5]	0.375 [9.5]	0.375 [9.5]	0.375 [9.5]
Face Area sq. ft. [sq. m]	5.54 [0.51]	5.54 [0.51]	5.54 [0.51]	5.54 [0.51]
Rows / FPI [FPcm]	2 / 15 [6]	2 / 15 [6]	2 / 15 [6]	2 / 15 [6]
Refrigerant Control	TX Valves	TX Valves	TX Valves	TX Valves
Drain Connection No./Size in. [mm]	1/0.75 [19.05]	1/0.75 [19.05]	1/0.75 [19.05]	1/0.75 [19.05]
<b>Outdoor Fan—Type</b>	Propeller	Propeller	Propeller	Propeller
No. Used/Diameter in. [mm]	1/22 [558.8]	1/22 [558.8]	1/22 [558.8]	1/22 [558.8]
Drive Type/No. Speeds	Direct/1	Direct/1	Direct/1	Direct/1
CFM [L/s]	2700 [1274]	2700 [1274]	2700 [1274]	2700 [1274]
No. Motors/HP	1 at 1/3 HP	1 at 1/3 HP	1 at 1/3 HP	1 at 1/3 HP
Motor RPM	1075	1075	1075	1075
<b>Indoor Fan—Type</b>	FC Centrifugal	FC Centrifugal	FC Centrifugal	FC Centrifugal
No. Used/Diameter in. [mm]	1/10x9 [254x229]	1/10x9 [254x229]	1/10x9 [254x229]	1/10x9 [254x229]
Drive Type/No. Speeds	Direct/3	Direct/3	Direct/3	Direct/3
No. Motors	1	1	1	1
Motor HP	1/2	1/2	1/2	1/2
Motor RPM	1075	1075	1075	1075
Motor Frame Size	48	48	48	48
<b>Filter—Type</b>	Field Supplied	Field Supplied	Field Supplied	Field Supplied
Furnished	No	No	No	No
(No.) Size Recommended in. [mm]	(1)1x24x24 [25x610x610]	(1)1x24x24 [25x610x610]	(1)1x24x24 [25x610x610]	(1)1x24x24 [25x610x610]
<b>Refrigerant Charge Oz. [g]</b>	92.8 [2631]	92.8 [2631]	92.8 [2631]	92.8 [2631]
<b>Weights</b>				
Net Weight lbs. [kg]	417 [189]	422 [191]	426 [193]	417 [189]
Ship Weight lbs. [kg]	457 [207]	462 [210]	466 [211]	457 [207]

See Page 29 for Notes.

[ ] Designates Metric Conversions

## NOMINAL SIZES 2-5 TONS [7.0-17.6 kW]

Model RRPL- Series	B036DK08	B036DK10	B036JK04(E/X)	B036JK06(E/X)
<b>Cooling Performance<sup>1</sup></b>				<b>CONTINUED</b> →
Gross Cooling Capacity Btu [kW]	36,800 [10.78]	36,800 [10.78]	36,800 [10.78]	36,800 [10.78]
EER/SEER <sup>2</sup>	12/14	12/14	12/14	12/14
Nominal CFM/AHRI Rated CFM [L/s]	1200/1200 [566/566]	1200/1200 [566/566]	1200/1200 [566/566]	1200/1200 [566/566]
AHRI Net Cooling Capacity Btu [kW]	36,000 [10.55]	36,000 [10.55]	36,000 [10.55]	36,000 [10.55]
Net Sensible Capacity Btu [kW]	26,420 [7.74]	26,420 [7.74]	26,420 [7.74]	26,420 [7.74]
Net Latent Capacity Btu [kW]	9,580 [2.81]	9,580 [2.81]	9,580 [2.81]	9,580 [2.81]
Net System Power [kW]	2.94	2.94	3	3
<b>Heating Performance (Package Gas/Electric)<sup>3</sup></b>				
Heating Input Btu [kW]	80,000 [23.44]	100,000 [29.3]	40,000 [11.72]	60,000 [17.58]
Heating Output Btu [kW]	64,800 [18.99]	81,000 [23.73]	31,000 [9.08]	47,000 [13.77]
Temperature Rise Range °F [°C]	40-70 [22.2-38.9]	45-85 [25-47.2]	20-50 [11.1/27.8]	30-60 [16.7/33.3]
AFUE (%) <sup>4</sup>	80	80	80	80
Steady State Efficiency (%)	81	81	81	81
No. Burners	4	5	2	3
No. Stages	1	1	1	1
Gas Connection Pipe Size in. [mm]	0.5 [12.7]	0.5 [12.7]	0.5 [12.7]	0.5 [12.7]
<b>Compressor</b>				
No./Type	1/Scroll	1/Scroll	1/Scroll	1/Scroll
<b>Outdoor Sound Rating (dB)<sup>5</sup></b>	76	76	76	76
<b>Outdoor Coil—Fin Type</b>	Louvered	Louvered	Louvered	Louvered
Tube Type	Rifled	Rifled	Rifled	Rifled
Tube Size in. [mm] OD	0.375 [9.5]	0.375 [9.5]	0.375 [9.5]	0.375 [9.5]
Face Area sq. ft. [sq. m]	14.8 [1.37]	14.8 [1.37]	14.8 [1.37]	14.8 [1.37]
Rows / FPI [FPcm]	1 / 22 [9]	1 / 22 [9]	1 / 22 [9]	1 / 22 [9]
<b>Indoor Coil—Fin Type</b>	Louvered	Louvered	Louvered	Louvered
Tube Type	Rifled	Rifled	Rifled	Rifled
Tube Size in. [mm]	0.375 [9.5]	0.375 [9.5]	0.375 [9.5]	0.375 [9.5]
Face Area sq. ft. [sq. m]	5.54 [0.51]	5.54 [0.51]	5.54 [0.51]	5.54 [0.51]
Rows / FPI [FPcm]	2 / 15 [6]	2 / 15 [6]	2 / 15 [6]	2 / 15 [6]
Refrigerant Control	TX Valves	TX Valves	TX Valves	TX Valves
Drain Connection No./Size in. [mm]	1/0.75 [19.05]	1/0.75 [19.05]	1/0.75 [19.05]	1/0.75 [19.05]
<b>Outdoor Fan—Type</b>	Propeller	Propeller	Propeller	Propeller
No. Used/Diameter in. [mm]	1/22 [558.8]	1/22 [558.8]	1/22 [558.8]	1/22 [558.8]
Drive Type/No. Speeds	Direct/1	Direct/1	Direct/1	Direct/1
CFM [L/s]	2700 [1274]	2700 [1274]	2700 [1274]	2700 [1274]
No. Motors/HP	1 at 1/3 HP	1 at 1/3 HP	1 at 1/3 HP	1 at 1/3 HP
Motor RPM	1075	1075	1075	1075
<b>Indoor Fan—Type</b>	FC Centrifugal	FC Centrifugal	FC Centrifugal	FC Centrifugal
No. Used/Diameter in. [mm]	1/10x9 [254x229]	1/10x9 [254x229]	1/10x9 [254x229]	1/10x9 [254x229]
Drive Type/No. Speeds	Direct/3	Direct/3	Direct/3	Direct/3
No. Motors	1	1	1	1
Motor HP	1/2	1/2	1/2	1/2
Motor RPM	1075	1075	1075	1075
Motor Frame Size	48	48	48	48
<b>Filter—Type</b>	Field Supplied	Field Supplied	Field Supplied	Field Supplied
Furnished	No	No	No	No
(No.) Size Recommended in. [mm]	(1)1x24x24 [25x610x610]	(1)1x24x24 [25x610x610]	(1)1x24x24 [25x610x610]	(1)1x24x24 [25x610x610]
<b>Refrigerant Charge Oz. [g]</b>	92.8 [2631]	92.8 [2631]	92.8 [2631]	92.8 [2631]
<b>Weights</b>				
Net Weight lbs. [kg]	422 [191]	426 [193]	412 [187]	417 [189]
Ship Weight lbs. [kg]	462 [210]	466 [211]	452 [205]	457 [207]

See Page 29 for Notes.

[ ] Designates Metric Conversions

## NOMINAL SIZES 2-5 TONS [7.0-17.6 kW]

Model RRPL- Series	B036JK08(E/X)	B036JK10(E/X)	B042CK04	B042CK06
<b>Cooling Performance<sup>1</sup></b>				<b>CONTINUED</b> →
Gross Cooling Capacity Btu [kW]	36,800 [10.78]	36,800 [10.78]	44,000 [12.89]	44,000 [12.89]
EER/SEER <sup>2</sup>	12/14	12/14	12/14	12/14
Nominal CFM/AHRI Rated CFM [L/s]	1200/1200 [566/566]	1200/1200 [566/566]	1400/1400 [661/661]	1400/1400 [661/661]
AHRI Net Cooling Capacity Btu [kW]	36,000 [10.55]	36,000 [10.55]	43,000 [12.6]	43,000 [12.6]
Net Sensible Capacity Btu [kW]	26,420 [7.74]	26,420 [7.74]	31,270 [9.16]	31,270 [9.16]
Net Latent Capacity Btu [kW]	9,580 [2.81]	9,580 [2.81]	11,730 [3.44]	11,730 [3.44]
Net System Power [kW]	3	3	3.58	3.58
<b>Heating Performance (Package Gas/Electric)<sup>3</sup></b>				
Heating Input Btu [kW]	80,000 [23.44]	100,000 [29.3]	40,000 [11.72]	60,000 [17.58]
Heating Output Btu [kW]	62,000 [18.17]	77,000 [22.56]	32,400 [9.49]	48,600 [14.24]
Temperature Rise Range °F [°C]	40-70 [22.2/38.9]	45-85 [25/47.2]	20-50 [11.1/27.8]	30-60 [16.7/33.3]
AFUE (%) <sup>4</sup>	80	80	80	80
Steady State Efficiency (%)	81	81	81	81
No. Burners	4	5	2	3
No. Stages	1	1	1	1
Gas Connection Pipe Size in. [mm]	0.5 [12.7]	0.5 [12.7]	0.5 [12.7]	0.5 [12.7]
<b>Compressor</b>				
No./Type	1/Scroll	1/Scroll	1/Scroll	1/Scroll
<b>Outdoor Sound Rating (dB)<sup>5</sup></b>				
	76	76	76	76
<b>Outdoor Coil—Fin Type</b>				
Tube Type	Louvered	Louvered	Louvered	Louvered
Tube Size in. [mm] OD	Rifled	Rifled	Rifled	Rifled
Face Area sq. ft. [sq. m]	0.375 [9.5]	0.375 [9.5]	0.375 [9.5]	0.375 [9.5]
Rows / FPI [FPcm]	14.8 [1.37]	14.8 [1.37]	16.65 [1.55]	16.65 [1.55]
	1 / 22 [9]	1 / 22 [9]	1 / 22 [9]	1 / 22 [9]
<b>Indoor Coil—Fin Type</b>				
Tube Type	Louvered	Louvered	Louvered	Louvered
Tube Size in. [mm]	Rifled	Rifled	Rifled	Rifled
Face Area sq. ft. [sq. m]	0.375 [9.5]	0.375 [9.5]	0.375 [9.5]	0.375 [9.5]
Rows / FPI [FPcm]	5.54 [0.51]	5.54 [0.51]	7.39 [0.69]	7.39 [0.69]
	2 / 15 [6]	2 / 15 [6]	2 / 15 [6]	2 / 15 [6]
Refrigerant Control	TX Valves	TX Valves	TX Valves	TX Valves
Drain Connection No./Size in. [mm]	1/0.75 [19.05]	1/0.75 [19.05]	1/0.75 [19.05]	1/0.75 [19.05]
<b>Outdoor Fan—Type</b>				
No. Used/Diameter in. [mm]	Propeller	Propeller	Propeller	Propeller
Drive Type/No. Speeds	1/22 [558.8]	1/22 [558.8]	1/22 [558.8]	1/22 [558.8]
CFM [L/s]	Direct/1	Direct/1	Direct/1	Direct/1
No. Motors/HP	2700 [1274]	2700 [1274]	3500 [1652]	3500 [1652]
Motor RPM	1 at 1/3 HP	1 at 1/3 HP	1 at 1/3 HP	1 at 1/3 HP
	1075	1075	1075	1075
<b>Indoor Fan—Type</b>				
No. Used/Diameter in. [mm]	FC Centrifugal	FC Centrifugal	FC Centrifugal	FC Centrifugal
Drive Type/No. Speeds	1/10x9 [254x229]	1/10x9 [254x229]	1/10x9 [254x229]	1/10x9 [254x229]
No. Motors	Direct/3	Direct/3	Direct/3	Direct/3
Motor HP	1	1	1	1
Motor RPM	1/2	1/2	1/2	1/2
Motor Frame Size	1075	1075	1075	1075
	48	48	48	48
<b>Filter—Type</b>				
Furnished	Field Supplied	Field Supplied	Field Supplied	Field Supplied
(No.) Size Recommended in. [mm]	No	No	No	No
	(1)1x24x24 [25x610x610]	(1)1x24x24 [25x610x610]	(1)1x24x24 [25x610x610]	(1)1x24x24 [25x610x610]
<b>Refrigerant Charge Oz. [g]</b>				
	92.8 [2631]	92.8 [2631]	112 [3175]	112 [3175]
<b>Weights</b>				
Net Weight lbs. [kg]	422 [191]	426 [193]	422 [191]	427 [194]
Ship Weight lbs. [kg]	462 [210]	466 [211]	462 [210]	467 [212]

See Page 29 for Notes.

[ ] Designates Metric Conversions

## NOMINAL SIZES 2-5 TONS [7.0-17.6 kW]

Model RRPL- Series	B042CK08	B042CK10	B042JK04(E/X)	B042JK06(E/X)
<b>Cooling Performance<sup>1</sup></b>				<b>CONTINUED</b> →
Gross Cooling Capacity Btu [kW]	44,000 [12.89]	44,000 [12.89]	44,000 [12.89]	44,000 [12.89]
EER/SEER <sup>2</sup>	12/14	12/14	12/14	12/14
Nominal CFM/AHRI Rated CFM [L/s]	1400/1400 [661/661]	1400/1400 [661/661]	1400/1400 [661/661]	1400/1400 [661/661]
AHRI Net Cooling Capacity Btu [kW]	43,000 [12.6]	43,000 [12.6]	43,000 [12.6]	43,000 [12.6]
Net Sensible Capacity Btu [kW]	31,270 [9.16]	31,270 [9.16]	31,270 [9.16]	31,270 [9.16]
Net Latent Capacity Btu [kW]	11,730 [3.44]	11,730 [3.44]	11,730 [3.44]	11,730 [3.44]
Net System Power [kW]	3.58	3.58	3.58	3.58
<b>Heating Performance (Package Gas/Electric)<sup>3</sup></b>				
Heating Input Btu [kW]	80,000 [23.44]	100,000 [29.3]	40,000 [11.72]	60,000 [17.58]
Heating Output Btu [kW]	64,800 [18.99]	81,000 [23.73]	31,000 [9.08]	47,000 [13.77]
Temperature Rise Range °F [°C]	40-70 [22.2/38.9]	45-85 [25/47.2]	20-50 [11.1/27.8]	30-60 [16.7/33.3]
AFUE (%) <sup>4</sup>	80	80	80	80
Steady State Efficiency (%)	81	81	81	81
No. Burners	4	5	2	3
No. Stages	1	1	1	1
Gas Connection Pipe Size in. [mm]	0.5 [12.7]	0.5 [12.7]	0.5 [12.7]	0.5 [12.7]
<b>Compressor</b>				
No./Type	1/Scroll	1/Scroll	1/Scroll	1/Scroll
<b>Outdoor Sound Rating (dB)<sup>5</sup></b>	76	76	76	76
<b>Outdoor Coil—Fin Type</b>	Louvered	Louvered	Louvered	Louvered
Tube Type	Rifled	Rifled	Rifled	Rifled
Tube Size in. [mm] OD	0.375 [9.5]	0.375 [9.5]	0.375 [9.5]	0.375 [9.5]
Face Area sq. ft. [sq. m]	16.65 [1.55]	16.65 [1.55]	16.65 [1.55]	16.65 [1.55]
Rows / FPI [FPcm]	1 / 22 [9]	1 / 22 [9]	1 / 22 [9]	1 / 22 [9]
<b>Indoor Coil—Fin Type</b>	Louvered	Louvered	Louvered	Louvered
Tube Type	Rifled	Rifled	Rifled	Rifled
Tube Size in. [mm]	0.375 [9.5]	0.375 [9.5]	0.375 [9.5]	0.375 [9.5]
Face Area sq. ft. [sq. m]	7.39 [0.69]	7.39 [0.69]	7.39 [0.69]	7.39 [0.69]
Rows / FPI [FPcm]	2 / 15 [6]	2 / 15 [6]	2 / 15 [6]	2 / 15 [6]
Refrigerant Control	TX Valves	TX Valves	TX Valves	TX Valves
Drain Connection No./Size in. [mm]	1/0.75 [19.05]	1/0.75 [19.05]	1/0.75 [19.05]	1/0.75 [19.05]
<b>Outdoor Fan—Type</b>	Propeller	Propeller	Propeller	Propeller
No. Used/Diameter in. [mm]	1/22 [558.8]	1/22 [558.8]	1/22 [558.8]	1/22 [558.8]
Drive Type/No. Speeds	Direct/1	Direct/1	Direct/1	Direct/1
CFM [L/s]	3500 [1652]	3500 [1652]	3500 [1652]	3500 [1652]
No. Motors/HP	1 at 1/3 HP	1 at 1/3 HP	1 at 1/3 HP	1 at 1/3 HP
Motor RPM	1075	1075	1075	1075
<b>Indoor Fan—Type</b>	FC Centrifugal	FC Centrifugal	FC Centrifugal	FC Centrifugal
No. Used/Diameter in. [mm]	1/10x9 [254x229]	1/10x9 [254x229]	1/10x9 [254x229]	1/10x9 [254x229]
Drive Type/No. Speeds	Direct/3	Direct/3	Direct/3	Direct/3
No. Motors	1	1	1	1
Motor HP	1/2	1/2	1/2	1/2
Motor RPM	1075	1075	1075	1075
Motor Frame Size	48	48	48	48
<b>Filter—Type</b>	Field Supplied	Field Supplied	Field Supplied	Field Supplied
Furnished	No	No	No	No
(No.) Size Recommended in. [mm]	(1)1x24x24 [25x610x610]	(1)1x24x24 [25x610x610]	(1)1x24x24 [25x610x610]	(1)1x24x24 [25x610x610]
<b>Refrigerant Charge Oz. [g]</b>	112 [3175]	112 [3175]	112 [3175]	112 [3175]
<b>Weights</b>				
Net Weight lbs. [kg]	432 [196]	437 [198]	422 [191]	427 [194]
Ship Weight lbs. [kg]	472 [214]	477 [216]	462 [210]	467 [212]

See Page 29 for Notes.

[ ] Designates Metric Conversions

## NOMINAL SIZES 2-5 TONS [7.0-17.6 kW]

Model RRPL- Series	B042JK08(E/X)	B042JK10(E/X)	B048CK06	B048CK08
<b>Cooling Performance<sup>1</sup></b>				<b>CONTINUED</b> →
Gross Cooling Capacity Btu [kW]	44,000 [12.89]	44,000 [12.89]	50,500 [14.8]	50,500 [14.8]
EER/SEER <sup>2</sup>	12/14	12/14	12/14	12/14
Nominal CFM/AHRI Rated CFM [L/s]	1400/1400 [661/661]	1400/1400 [661/661]	1600/1600 [755/755]	1600/1600 [755/755]
AHRI Net Cooling Capacity Btu [kW]	43,000 [12.6]	43,000 [12.6]	49,000 [14.36]	49,000 [14.36]
Net Sensible Capacity Btu [kW]	31,270 [9.16]	31,270 [9.16]	34,990 [10.25]	34,990 [10.25]
Net Latent Capacity Btu [kW]	11,730 [3.44]	11,730 [3.44]	14,010 [4.1]	14,010 [4.1]
Net System Power [kW]	3.58	3.58	4.08	4.08
<b>Heating Performance (Package Gas/Electric)<sup>3</sup></b>				
Heating Input Btu [kW]	80,000 [23.44]	100,000 [29.3]	60,000 [17.58]	80,000 [23.44]
Heating Output Btu [kW]	62,000 [18.17]	77,000 [22.56]	48,600 [14.24]	64,800 [18.99]
Temperature Rise Range °F [°C]	40-70 [22.2/38.9]	45-85 [25/47.2]	30-60 [16.7/33.3]	40-70 [22.2/38.9]
AFUE (%) <sup>4</sup>	80	80	80	80
Steady State Efficiency (%)	81	81	81	81
No. Burners	4	5	3	4
No. Stages	1	1	1	1
Gas Connection Pipe Size in. [mm]	0.5 [12.7]	0.5 [12.7]	0.5 [12.7]	0.5 [12.7]
<b>Compressor</b>				
No./Type	1/Scroll	1/Scroll	1/Scroll	1/Scroll
<b>Outdoor Sound Rating (dB)<sup>5</sup></b>				
	76	76	78	78
<b>Outdoor Coil—Fin Type</b>				
Tube Type	Louvered	Louvered	Louvered	Louvered
Tube Size in. [mm] OD	Rifled	Rifled	Rifled	Rifled
Face Area sq. ft. [sq. m]	0.375 [9.5]	0.375 [9.5]	0.375 [9.5]	0.375 [9.5]
Rows / FPI [FPcm]	16.65 [1.55]	16.65 [1.55]	16.23 [1.51]	16.23 [1.51]
	1 / 22 [9]	1 / 22 [9]	2 / 22 [9]	2 / 22 [9]
<b>Indoor Coil—Fin Type</b>				
Tube Type	Louvered	Louvered	Louvered	Louvered
Tube Size in. [mm]	Rifled	Rifled	Rifled	Rifled
Face Area sq. ft. [sq. m]	0.375 [9.5]	0.375 [9.5]	0.375 [9.5]	0.375 [9.5]
Rows / FPI [FPcm]	7.39 [0.69]	7.39 [0.69]	7.39 [0.69]	7.39 [0.69]
	2 / 15 [6]	2 / 15 [6]	2 / 15 [6]	2 / 15 [6]
Refrigerant Control	TX Valves	TX Valves	TX Valves	TX Valves
Drain Connection No./Size in. [mm]	1/0.75 [19.05]	1/0.75 [19.05]	1/0.75 [19.05]	1/0.75 [19.05]
<b>Outdoor Fan—Type</b>				
No. Used/Diameter in. [mm]	Propeller	Propeller	Propeller	Propeller
Drive Type/No. Speeds	1/22 [558.8]	1/22 [558.8]	1/22 [558.8]	1/22 [558.8]
CFM [L/s]	Direct/1	Direct/1	Direct/1	Direct/1
No. Motors/HP	3500 [1652]	3500 [1652]	3300 [1557]	3300 [1557]
Motor RPM	1 at 1/3 HP	1 at 1/3 HP	1 at 1/3 HP	1 at 1/3 HP
	1075	1075	1075	1075
<b>Indoor Fan—Type</b>				
No. Used/Diameter in. [mm]	FC Centrifugal	FC Centrifugal	FC Centrifugal	FC Centrifugal
Drive Type/No. Speeds	1/10x9 [254x229]	1/10x9 [254x229]	1/10x9 [254x229]	1/10x9 [254x229]
No. Motors	Direct/3	Direct/3	Direct/3	Direct/3
Motor HP	1	1	1	1
Motor RPM	1/2	1/2	3/4	3/4
Motor Frame Size	1075	1075	1075	1075
	48	48	48	48
<b>Filter—Type</b>				
Furnished	Field Supplied	Field Supplied	Field Supplied	Field Supplied
(No.) Size Recommended in. [mm]	No	No	No	No
	(1)1x24x24 [25x610x610]	(1)1x24x24 [25x610x610]	(1)1x24x24 [25x610x610]	(1)1x24x24 [25x610x610]
<b>Refrigerant Charge Oz. [g]</b>				
	112 [3175]	112 [3175]	161.2 [4570]	161.2 [4570]
<b>Weights</b>				
Net Weight lbs. [kg]	432 [196]	437 [198]	452 [205]	457 [207]
Ship Weight lbs. [kg]	472 [214]	477 [216]	492 [223]	497 [225]

See Page 29 for Notes.

[ ] Designates Metric Conversions



## NOMINAL SIZES 2-5 TONS [7.0-17.6 kW]

Model RRPL- Series	B048CK10	B048DK10	B048JK06(E/X)	B048JK08(E/X)
<b>Cooling Performance<sup>1</sup></b>				
Gross Cooling Capacity Btu [kW]	50,500 [14.8]	50,500 [14.8]	50,500 [14.8]	50,500 [14.8]
EER/SEER <sup>2</sup>	12/14	12/14	12/14	12/14
Nominal CFM/AHRI Rated CFM [L/s]	1600/1600 [755/755]	1600/1600 [755/755]	1600/1600 [755/755]	1600/1600 [755/755]
AHRI Net Cooling Capacity Btu [kW]	49,000 [14.36]	49,000 [14.36]	49,000 [14.36]	49,000 [14.36]
Net Sensible Capacity Btu [kW]	34,990 [10.25]	34,990 [10.25]	34,990 [10.25]	34,990 [10.25]
Net Latent Capacity Btu [kW]	14,010 [4.1]	14,010 [4.1]	14,010 [4.1]	14,010 [4.1]
Net System Power [kW]	4.08	4.04	4.08	4.08
<b>Heating Performance (Package Gas/Electric)<sup>3</sup></b>				
Heating Input Btu [kW]	100,000 [29.3]	100,000 [29.3]	60,000 [17.58]	80,000 [23.44]
Heating Output Btu [kW]	81,000 [23.73]	81,000 [23.73]	47,000 [13.77]	62,000 [18.17]
Temperature Rise Range °F [°C]	45-85 [25/47.2]	45-85 [25-47.2]	30-60 [16.7/33.3]	40-70 [22.2/38.9]
AFUE (%) <sup>4</sup>	80	80	80	80
Steady State Efficiency (%)	81	81	81	81
No. Burners	5	5	3	4
No. Stages	1	1	1	1
Gas Connection Pipe Size in. [mm]	0.5 [12.7]	0.5 [12.7]	0.5 [12.7]	0.5 [12.7]
<b>Compressor</b>				
No./Type	1/Scroll	1/Scroll	1/Scroll	1/Scroll
<b>Outdoor Sound Rating (dB)<sup>5</sup></b>				
	78	78	78	78
<b>Outdoor Coil—Fin Type</b>				
Tube Type	Louvered	Louvered	Louvered	Louvered
Tube Size in. [mm] OD	Rifled	Rifled	Rifled	Rifled
Face Area sq. ft. [sq. m]	0.375 [9.5]	0.375 [9.5]	0.375 [9.5]	0.375 [9.5]
Rows / FPI [FPcm]	16.23 [1.51]	16.23 [1.51]	16.23 [1.51]	16.23 [1.51]
	2 / 22 [9]	2 / 22 [9]	2 / 22 [9]	2 / 22 [9]
<b>Indoor Coil—Fin Type</b>				
Tube Type	Louvered	Louvered	Louvered	Louvered
Tube Size in. [mm]	Rifled	Rifled	Rifled	Rifled
Face Area sq. ft. [sq. m]	0.375 [9.5]	0.375 [9.5]	0.375 [9.5]	0.375 [9.5]
Rows / FPI [FPcm]	7.39 [0.69]	7.39 [0.69]	7.39 [0.69]	7.39 [0.69]
	2 / 15 [6]	2 / 15 [6]	2 / 15 [6]	2 / 15 [6]
Refrigerant Control	TX Valves	TX Valves	TX Valves	TX Valves
Drain Connection No./Size in. [mm]	1/0.75 [19.05]	1/0.75 [19.05]	1/0.75 [19.05]	1/0.75 [19.05]
<b>Outdoor Fan—Type</b>				
No. Used/Diameter in. [mm]	Propeller	Propeller	Propeller	Propeller
Drive Type/No. Speeds	1/22 [558.8]	1/22 [558.8]	1/22 [558.8]	1/22 [558.8]
CFM [L/s]	Direct/1	Direct/1	Direct/1	Direct/1
No. Motors/HP	3300 [1557]	3300 [1557]	3300 [1557]	3300 [1557]
Motor RPM	1 at 1/3 HP	1 at 1/3 HP	1 at 1/3 HP	1 at 1/3 HP
	1075	1075	1075	1075
<b>Indoor Fan—Type</b>				
No. Used/Diameter in. [mm]	FC Centrifugal	FC Centrifugal	FC Centrifugal	FC Centrifugal
Drive Type/No. Speeds	1/10x9 [254x229]	1/10x9 [254x229]	1/10x9 [254x229]	1/10x9 [254x229]
No. Motors	Direct/3	Direct/3	Direct/3	Direct/3
Motor HP	1	1	1	1
Motor RPM	3/4	3/4	3/4	3/4
Motor Frame Size	1075	1075	1075	1075
	48	48	48	48
<b>Filter—Type</b>				
Furnished	Field Supplied	Field Supplied	Field Supplied	Field Supplied
(No.) Size Recommended in. [mm]	No	No	No	No
	(1)1x24x24 [25x610x610]	(1)1x24x24 [25x610x610]	(1)1x24x24 [25x610x610]	(1)1x24x24 [25x610x610]
<b>Refrigerant Charge Oz. [g]</b>				
	161.2 [4570]	161.2 [4570]	161.2 [4570]	161.2 [4570]
<b>Weights</b>				
Net Weight lbs. [kg]	462 [210]	462 [210]	461 [209]	466 [211]
Ship Weight lbs. [kg]	502 [228]	502 [228]	501 [227]	506 [230]

See Page 29 for Notes.

[ ] Designates Metric Conversions

## NOM. SIZES 7.5-12.5 TONS [26.4-44.0 kW] ASHRAE 90.1-1989 COMPLIANT MODELS

Model RRPL- Series	B048JK10(E/X)	B060CK10	B060DK10	B060JK10(E/X)
<b>Cooling Performance<sup>1</sup></b>				
Gross Cooling Capacity Btu [kW]	50,500 [14.8]	59,500 [17.43]	59,500 [17.43]	59,500 [17.43]
EER/SEER <sup>2</sup>	12/14	10.8/14	10.8/14	10.8/14
Nominal CFM/AHRI Rated CFM [L/s]	1600/1600 [755/755]	2000/1850 [944/873]	2000/1850 [944/873]	2000/1850 [944/873]
AHRI Net Cooling Capacity Btu [kW]	49,000 [14.36]	57,500 [16.85]	57,500 [16.85]	57,500 [16.85]
Net Sensible Capacity Btu [kW]	34,990 [10.25]	40,460 [11.85]	40,460 [11.85]	40,460 [11.85]
Net Latent Capacity Btu [kW]	14,010 [4.1]	17,040 [4.99]	17,040 [4.99]	17,040 [4.99]
Net System Power [kW]	4.08	5.32	5.32	5.32
<b>Heating Performance (Package Gas/Electric)<sup>3</sup></b>				
Heating Input Btu [kW]	100,000 [29.3]	100,000 [29.3]	100,000 [29.3]	100,000 [29.3]
Heating Output Btu [kW]	77,000 [22.56]	81,000 [23.73]	77,000 [22.56]	77,000 [22.56]
Temperature Rise Range °F [°C]	45-85 [25/47.2]	45-85 [25/47.2]	45-85 [25/47.2]	45-85 [25/47.2]
AFUE (%) <sup>4</sup>	80	80	80	80
Steady State Efficiency (%)	81	81	81	81
No. Burners	5	5	5	5
No. Stages	1	1	1	1
Gas Connection Pipe Size in. [mm]	0.5 [12.7]	0.5 [12.7]	0.5 [12.7]	0.5 [12.7]
<b>Compressor</b>				
No./Type	1/Scroll	1/Scroll	1/Scroll	1/Scroll
<b>Outdoor Sound Rating (dB)<sup>5</sup></b>				
	78	78	78	78
<b>Outdoor Coil—Fin Type</b>				
Tube Type	Louvered	Louvered	Louvered	Louvered
Tube Size in. [mm] OD	Rifled	Rifled	Rifled	Rifled
Face Area sq. ft. [sq. m]	0.375 [9.5]	0.375 [9.5]	0.375 [9.5]	0.375 [9.5]
Rows / FPI [FPcm]	16.23 [1.51]	16.23 [1.51]	16.23 [1.51]	16.23 [1.51]
	2 / 22 [9]	2 / 22 [9]	2 / 22 [9]	2 / 22 [9]
<b>Indoor Coil—Fin Type</b>				
Tube Type	Louvered	Louvered	Louvered	Louvered
Tube Size in. [mm]	Rifled	Rifled	Rifled	Rifled
Face Area sq. ft. [sq. m]	0.375 [9.5]	0.375 [9.5]	0.375 [9.5]	0.375 [9.5]
Rows / FPI [FPcm]	7.39 [0.69]	7.39 [0.69]	7.39 [0.69]	7.39 [0.69]
	2 / 15 [6]	2 / 15 [6]	2 / 15 [6]	2 / 15 [6]
Refrigerant Control	TX Valves	TX Valves	TX Valves	TX Valves
Drain Connection No./Size in. [mm]	1/0.75 [19.05]	1/0.75 [19.05]	1/0.75 [19.05]	1/0.75 [19.05]
<b>Outdoor Fan—Type</b>				
No. Used/Diameter in. [mm]	Propeller	Propeller	Propeller	Propeller
Drive Type/No. Speeds	1/22 [558.8]	1/22 [558.8]	1/22 [558.8]	1/22 [558.8]
CFM [L/s]	Direct/1	Direct/1	Direct/1	Direct/1
No. Motors/HP	3300 [1557]	3300 [1557]	3300 [1557]	3300 [1557]
Motor RPM	1 at 1/3 HP	1 at 1/3 HP	1 at 1/3 HP	1 at 1/3 HP
	1075	1075	1075	1075
<b>Indoor Fan—Type</b>				
No. Used/Diameter in. [mm]	FC Centrifugal	FC Centrifugal	FC Centrifugal	FC Centrifugal
Drive Type/No. Speeds	1/10x9 [254x229]	1/12x9 [305x229]	1/12x9 [305x229]	1/12x9 [305x229]
No. Motors	Direct/3	Direct/3	Direct/3	Direct/3
Motor HP	1	1	1	1
Motor RPM	3/4	1	1	1
Motor Frame Size	1075	1075	1075	1075
	48	48	48	48
<b>Filter—Type</b>				
Furnished	Field Supplied	Field Supplied	Field Supplied	Field Supplied
(No.) Size Recommended in. [mm]	No	No	No	No
	(1)1x24x24 [25x610x610]	(1)1x24x30 [25x610x762]	(1)1x24x30 [25x610x762]	(1)1x24x30 [25x610x762]
<b>Refrigerant Charge Oz. [g]</b>				
	161.2 [4570]	172.8 [4899]	172.8 [4899]	172.8 [4899]
<b>Weights</b>				
Net Weight lbs. [kg]	471 [214]	532 [241]	532 [241]	532 [241]
Ship Weight lbs. [kg]	511 [232]	577 [262]	577 [262]	577 [262]

See Page 29 for Notes.

[ ] Designates Metric Conversions

## NOMINAL SIZES 2-5 TONS [7.0-17.6 kW]

Model RRRL- Series	C024JK06(E/X)	C036CK06	C036CK08	C036CK10
<b>Cooling Performance<sup>1</sup></b>				<b>CONTINUED</b> →
Gross Cooling Capacity (2nd Stage) Btu [kW]	24,200 [7.09]	36,800 [10.78]	36,800 [10.78]	36,800 [10.78]
SEER <sup>2</sup>	16.1	16.3	16.3	16.3
EER (1st stage / 2nd stage)	13.5/12.4	13.4/12.3	13.4/12.3	13.4/12.3
AHRI Rated CFM (1st / 2nd stage) [L/s]	550/800 [260/378]	800/1200 [378/566]	800/1200 [378/566]	800/1200 [378/566]
AHRI Net Cooling Capacity (1st / 2nd stage) Btu [kW]	18,500/23,800 [5.42/6.97]	25,000/36,000 [7.32/10.55]	25,000/36,000 [7.32/10.55]	25,000/36,000 [7.32/10.55]
Net Sensible Capacity (1st / 2nd stage) Btu [kW]	13,380/17,410 [3.92/5.1]	18,470/27,280 [5.41/7.99]	18,470/27,280 [5.41/7.99]	18,470/27,280 [5.41/7.99]
Net Latent Capacity (1st / 2nd stage) Btu [kW]	5,120/6,390 [1.5/1.87]	6,530/8,720 [1.91/2.55]	6,530/8,720 [1.91/2.55]	6,530/8,720 [1.91/2.55]
Net System Power (1st / 2nd stage) [kW]	1.37/1.92	1.87/2.94	1.87/2.94	1.87/2.94
<b>Heating Performance (Gas)<sup>3</sup></b>				
Heating Input Btu [kW] (1st / 2nd stage)	42,000/60,000 [12.31/17.58]	42,000/60,000 [12.31/17.58]	56,000/80,000 [16.41/23.44]	70,000/100,000 [20.51/29.3]
Heating Output Btu [kW] (1st / 2nd stage)	33,600/48,000 [9.84/14.06]	34,020/48,600 [9.97/14.24]	45,360/64,800 [13.29/18.99]	56,700/81,000 [16.61/23.73]
Temperature Rise Range °F [°C] (1st / 2nd stage)	25-55 [13.9-30.6] / 40-70 [22.2-38.9]	15-45 [8.3-25] / 30-60 [16.7-33.3]	20-50 [11.1-27.8] / 40-70 [22.2-38.9]	35-65 [19.4-36.1] / 55-85 [30.6-47.2]
AFUE (%) <sup>4</sup>	80	80	80	80
Steady State Efficiency (%)	81	81	81	81
No. Burners	3	3	4	5
No. Stages	2	2	2	2
Gas Connection Pipe Size in. [mm]	0.5 [12.7]	0.5 [12.7]	0.5 [12.7]	0.5 [12.7]
<b>Compressor</b>				
No./Type	1/Scroll	1/Scroll	1/Scroll	1/Scroll
<b>Outdoor Sound Rating (dB)<sup>5</sup></b>	76	76	76	76
<b>Outdoor Coil—Fin Type</b>	Louvered	Louvered	Louvered	Louvered
Tube Type	Rifled	Rifled	Rifled	Rifled
Tube Size in. [mm] OD	0.375 [9.5]	0.375 [9.5]	0.375 [9.5]	0.375 [9.5]
Face Area sq. ft. [sq. m]	10.56 [0.98]	16.23 [1.51]	16.23 [1.51]	16.23 [1.51]
Rows / FPI [FPcm]	1 / 18 [7]	2 / 22 [9]	2 / 22 [9]	2 / 22 [9]
<b>Indoor Coil—Fin Type</b>	Louvered	Louvered	Louvered	Louvered
Tube Type	Rifled	Rifled	Rifled	Rifled
Tube Size in. [mm]	0.375 [9.5]	0.375 [9.5]	0.375 [9.5]	0.375 [9.5]
Face Area sq. ft. [sq. m]	5.54 [0.51]	7.39 [0.69]	7.39 [0.69]	7.39 [0.69]
Rows / FPI [FPcm]	2 / 15 [6]	2 / 15 [6]	2 / 15 [6]	2 / 15 [6]
Refrigerant Control	TX Valves	TX Valves	TX Valves	TX Valves
Drain Connection No./Size in. [mm]	1/0.75 [19.05]	1/0.75 [19.05]	1/0.75 [19.05]	1/0.75 [19.05]
<b>Outdoor Fan—Type</b>	Propeller	Propeller	Propeller	Propeller
No. Used/Diameter in. [mm]	1/22 [558.8]	1/22 [558.8]	1/22 [558.8]	1/22 [558.8]
Drive Type/No. Speeds	Direct/1	Direct/1	Direct/1	Direct/1
CFM [L/s]	2500 [1180]	2700 [1274]	2700 [1274]	2700 [1274]
No. Motors/HP	1 at 1/6 HP	1 at 1/6 HP	1 at 1/6 HP	1 at 1/6 HP
Motor RPM	850	850	850	850
<b>Indoor Fan—Type</b>	FC Centrifugal	FC Centrifugal	FC Centrifugal	FC Centrifugal
No. Used/Diameter in. [mm]	1/9x7 [229x178]	1/10x9 [254x229]	1/10x9 [254x229]	1/10x9 [254x229]
Drive Type/No. Speeds	Direct/11	Direct/11	Direct/11	Direct/11
No. Motors	1	1	1	1
Motor HP	1/3	1/2	1/2	1/2
Motor RPM	1050	1050	1050	1050
Motor Frame Size	48	48	48	48
<b>Filter—Type</b>	Field Supplied	Field Supplied	Field Supplied	Field Supplied
Furnished	No	No	No	No
(NO.) Size Recommended in. [mm x mm x mm]	(1)1x20x20 [25x508x508]	(1)1x24x24 [25x610x610]	(1)1x24x24 [25x610x610]	(1)1x24x24 [25x610x610]
<b>Refrigerant Charge Oz. [g]</b>	97.6 [2767]	155.2 [4400]	155.2 [4400]	155.2 [4400]
<b>Weights</b>				
Net Weight lbs. [kg]	454 [206]	544 [247]	549 [249]	554 [251]
Ship Weight lbs. [kg]	467 [212]	558 [253]	558 [253]	558 [253]

See Page 29 for Notes.

[ ] Designates Metric Conversions

## NOMINAL SIZES 2-5 TONS [7.0-17.6 kW]

Model RRRL- Series	C036JK06(E/X)	C036JK08(E/X)	C036JK10(E/X)	C048CK08
<b>Cooling Performance<sup>1</sup></b>				<b>CONTINUED</b> →
Gross Cooling Capacity (2nd Stage) Btu [kW]	36,800 [10.78]	36,800 [10.78]	36,800 [10.78]	48,500 [14.21]
SEER <sup>2</sup>	16.3	16.3	16.3	15
EER (1st stage / 2nd stage)	13.4/12.3	13.4/12.3	13.4/12.3	12.7/11.5
AHRI Rated CFM (1st / 2nd stage) [L/s]	800/1200 [378/566]	800/1200 [378/566]	800/1200 [378/566]	1050/1600 [495/755]
AHRI Net Cooling Capacity (1st / 2nd stage) Btu [kW]	25,000/36,000 [7.32/10.55]	25,000/36,000 [7.32/10.55]	25,000/36,000 [7.32/10.55]	34,800/47,000 [10.2/13.77]
Net Sensible Capacity (1st / 2nd stage) Btu [kW]	18,470/27,280 [5.41/7.99]	18,470/27,280 [5.41/7.99]	18,470/27,280 [5.41/7.99]	24,820/34,480 [7.27/10.1]
Net Latent Capacity (1st / 2nd stage) Btu [kW]	6,530/8,720 [1.91/2.55]	6,530/8,720 [1.91/2.55]	6,530/8,720 [1.91/2.55]	9,980/12,520 [2.92/3.67]
Net System Power (1st / 2nd stage) [kW]	1.87/2.94	1.87/2.94	1.87/2.94	2.73/4.1
<b>Heating Performance (Gas)<sup>3</sup></b>				
Heating Input Btu [kW] (1st / 2nd stage)	42,000/60,000 [12.31/17.58]	56,000/80,000 [16.41/23.44]	70,000/100,000 [20.51/29.3]	56,000/80,000 [16.41/23.44]
Heating Output Btu [kW] (1st / 2nd stage)	33,600/48,000 [9.84/14.06]	44,800/64,000 [13.13/18.75]	56,000/80,000 [16.41/23.44]	45,360/64,800 [13.29/18.99]
Temperature Rise Range °F [°C] (1st / 2nd stage)	15-45 [8.3-25] / 30-60 [16.7-33.3]	20-50 [11.1-27.8] / 40-70 [22.2-38.9]	35-65 [19.4-36.1] / 55-85 [30.6-47.2]	20-50 [11.1-27.8] / 40-70 [22.2-38.9]
AFUE (%) <sup>4</sup>	80	80	80	80
Steady State Efficiency (%)	81	81	81	81
No. Burners	3	4	5	4
No. Stages	2	2	2	2
Gas Connection Pipe Size in. [mm]	0.5 [12.7]	0.5 [12.7]	0.5 [12.7]	0.5 [12.7]
<b>Compressor</b>				
No./Type	1/Scroll	1/Scroll	1/Scroll	1/Scroll
<b>Outdoor Sound Rating (dB)<sup>5</sup></b>				
	76	76	76	78
<b>Outdoor Coil—Fin Type</b>				
Tube Type	Louvered	Louvered	Louvered	Louvered
Tube Size in. [mm] OD	Rifled	Rifled	Rifled	Rifled
Face Area sq. ft. [sq. m]	0.375 [9.5]	0.375 [9.5]	0.375 [9.5]	0.375 [9.5]
Rows / FPI [FPcm]	16.23 [1.51]	16.23 [1.51]	16.23 [1.51]	16.23 [1.51]
	2 / 22 [9]	2 / 22 [9]	2 / 22 [9]	2 / 22 [9]
<b>Indoor Coil—Fin Type</b>				
Tube Type	Louvered	Louvered	Louvered	Louvered
Tube Size in. [mm]	Rifled	Rifled	Rifled	Rifled
Face Area sq. ft. [sq. m]	0.375 [9.5]	0.375 [9.5]	0.375 [9.5]	0.375 [9.5]
Rows / FPI [FPcm]	7.39 [0.69]	7.39 [0.69]	7.39 [0.69]	7.39 [0.69]
	2 / 15 [6]	2 / 15 [6]	2 / 15 [6]	2 / 15 [6]
Refrigerant Control	TX Valves	TX Valves	TX Valves	TX Valves
Drain Connection No./Size in. [mm]	1/0.75 [19.05]	1/0.75 [19.05]	1/0.75 [19.05]	1/0.75 [19.05]
<b>Outdoor Fan—Type</b>				
	Propeller	Propeller	Propeller	Propeller
No. Used/Diameter in. [mm]	1/22 [558.8]	1/22 [558.8]	1/22 [558.8]	1/22 [558.8]
Drive Type/No. Speeds	Direct/1	Direct/1	Direct/1	Direct/1
CFM [L/s]	2700 [1274]	2700 [1274]	2700 [1274]	3300 [1557]
No. Motors/HP	1 at 1/6 HP	1 at 1/6 HP	1 at 1/6 HP	1 at 1/3 HP
Motor RPM	850	850	850	850
<b>Indoor Fan—Type</b>				
	FC Centrifugal	FC Centrifugal	FC Centrifugal	FC Centrifugal
No. Used/Diameter in. [mm]	1/10x9 [254x229]	1/10x9 [254x229]	1/10x9 [254x229]	1/10x9 [254x229]
Drive Type/No. Speeds	Direct/11	Direct/11	Direct/11	Direct/11
No. Motors	1	1	1	1
Motor HP	1/2	1/2	1/2	3/4
Motor RPM	1050	1050	1050	1050
Motor Frame Size	48	48	48	48
<b>Filter—Type</b>				
	Field Supplied	Field Supplied	Field Supplied	Field Supplied
Furnished	No	No	No	No
(NO.) Size Recommended in. [mm x mm x mm]	(1)1x24x24 [25x610x610]	(1)1x24x24 [25x610x610]	(1)1x24x24 [25x610x610]	(1)1x24x24 [25x610x610]
<b>Refrigerant Charge Oz. [g]</b>				
	155.2 [4400]	155.2 [4400]	155.2 [4400]	169.6 [4808]
<b>Weights</b>				
Net Weight lbs. [kg]	552 [250]	557 [253]	557 [253]	549 [249]
Ship Weight lbs. [kg]	558 [253]	558 [253]	558 [253]	562 [255]

See Page 29 for Notes.

[ ] Designates Metric Conversions

## NOMINAL SIZES 2-5 TONS [7.0-17.6 kW]

Model RRRL- Series	C048CK10	C048JK08(E/X)	C048JK10(E/X)	C060CK10
<b>Cooling Performance<sup>1</sup></b>				<b>CONTINUED</b> →
Gross Cooling Capacity (2nd Stage) Btu [kW]	48,500 [14.21]	48,500 [14.21]	48,500 [14.21]	60,500 [17.73]
SEER <sup>2</sup>	15	15	15	14.2
EER (1st stage / 2nd stage)	12.7/11.5	12.7/11.5	12.7/11.5	12/10.7
AHRI Rated CFM (1st / 2nd stage) [L/s]	1050/1600 [495/755]	1050/1600 [495/755]	1050/1600 [495/755]	1250/1850 [590/873]
AHRI Net Cooling Capacity (1st / 2nd stage) Btu [kW]	34,800/47,000 [10.2/13.77]	34,800/47,000 [10.2/13.77]	34,800/47,000 [10.2/13.77]	41,800/58,000 [12.25/16.99]
Net Sensible Capacity (1st / 2nd stage) Btu [kW]	24,820/34,480 [7.27/10.1]	24,820/34,480 [7.27/10.1]	24,820/34,480 [7.27/10.1]	30,000/42,280 [8.79/12.39]
Net Latent Capacity (1st / 2nd stage) Btu [kW]	9,980/12,520 [2.92/3.67]	9,980/12,520 [2.92/3.67]	9,980/12,520 [2.92/3.67]	11,800/15,720 [3.46/4.61]
Net System Power (1st / 2nd stage) [kW]	2.73/4.1	2.73/4.1	2.73/4.1	3.48/5.4
<b>Heating Performance (Gas)<sup>3</sup></b>				
Heating Input Btu [kW] (1st / 2nd stage)	70,000/100,000 [20.51/29.3]	56,000/80,000 [16.41/23.44]	70,000/100,000 [20.51/29.3]	70,000/100,000 [20.51/29.3]
Heating Output Btu [kW] (1st / 2nd stage)	56,700/81,000 [16.61/23.73]	44,800/64,000 [13.13/18.75]	56,000/80,000 [16.41/23.44]	56,700/81,000 [16.61/23.73]
Temperature Rise Range °F [°C] (1st / 2nd stage)	35-65 [19.4-36.1] / 55-85 [30.6-47.2]	20-50 [11.1-27.8] / 40-70 [22.2-38.9]	35-65 [19.4-36.1] / 55-85 [30.6-47.2]	30-60 [16.7-33.3] / 45-75 [25-41.7]
AFUE (%) <sup>4</sup>	0	80	80	0
Steady State Efficiency (%)	81	81	81	81
No. Burners	5	4	5	5
No. Stages	2	2	2	2
Gas Connection Pipe Size in. [mm]	0.5 [12.7]	0.5 [12.7]	0.5 [12.7]	0.5 [12.7]
<b>Compressor</b>				
No./Type	1/Scroll	1/Scroll	1/Scroll	1/Scroll
<b>Outdoor Sound Rating (dB)<sup>5</sup></b>	78	78	78	78
<b>Outdoor Coil—Fin Type</b>	Louvered	Louvered	Louvered	Louvered
Tube Type	Rifled	Rifled	Rifled	Rifled
Tube Size in. [mm] OD	0.375 [9.5]	0.375 [9.5]	0.375 [9.5]	0.375 [9.5]
Face Area sq. ft. [sq. m]	16.23 [1.51]	16.23 [1.51]	16.23 [1.51]	16.23 [1.51]
Rows / FPI [FPcm]	2 / 22 [9]	2 / 22 [9]	2 / 22 [9]	2 / 22 [9]
<b>Indoor Coil—Fin Type</b>	Louvered	Louvered	Louvered	Louvered
Tube Type	Rifled	Rifled	Rifled	Rifled
Tube Size in. [mm]	0.375 [9.5]	0.375 [9.5]	0.375 [9.5]	0.375 [9.5]
Face Area sq. ft. [sq. m]	7.39 [0.69]	7.39 [0.69]	7.39 [0.69]	7.39 [0.69]
Rows / FPI [FPcm]	2 / 15 [6]	2 / 15 [6]	2 / 15 [6]	2 / 15 [6]
Refrigerant Control	TX Valves	TX Valves	TX Valves	TX Valves
Drain Connection No./Size in. [mm]	1/0.75 [19.05]	1/0.75 [19.05]	1/0.75 [19.05]	1/0.75 [19.05]
<b>Outdoor Fan—Type</b>	Propeller	Propeller	Propeller	Propeller
No. Used/Diameter in. [mm]	1/22 [558.8]	1/22 [558.8]	1/22 [558.8]	1/22 [558.8]
Drive Type/No. Speeds	Direct/1	Direct/1	Direct/1	Direct/1
CFM [L/s]	3300 [1557]	3300 [1557]	3300 [1557]	3300 [1557]
No. Motors/HP	1 at 1/3 HP	1 at 1/3 HP	1 at 1/3 HP	1 at 1/3 HP
Motor RPM	850	850	850	1075
<b>Indoor Fan—Type</b>	FC Centrifugal	FC Centrifugal	FC Centrifugal	FC Centrifugal
No. Used/Diameter in. [mm]	1/10x9 [254x229]	1/10x9 [254x229]	1/10x9 [254x229]	1/12x9 [305x229]
Drive Type/No. Speeds	Direct/11	Direct/11	Direct/11	Direct/11
No. Motors	1	1	1	1
Motor HP	3/4	3/4	3/4	1
Motor RPM	1050	1050	1050	1050
Motor Frame Size	48	48	48	48
<b>Filter—Type</b>	Field Supplied	Field Supplied	Field Supplied	Field Supplied
Furnished	No	No	No	No
(NO.) Size Recommended in. [mm x mm x mm]	(1)1x24x24 [25x610x610]	(1)1x24x24 [25x610x610]	(1)1x24x24 [25x610x610]	(1)1x24x30 [25x610x762]
<b>Refrigerant Charge Oz. [g]</b>	169.6 [4808]	169.6 [4808]	169.6 [4808]	165.8 [4700]
<b>Weights</b>				
Net Weight lbs. [kg]	554 [251]	557 [253]	562 [255]	571 [259]
Ship Weight lbs. [kg]	562 [255]	562 [255]	562 [255]	594 [269]

See Page 29 for Notes.

[ ] Designates Metric Conversions

## NOMINAL SIZES 2-5 TONS [7.0-17.6 kW]

Model RRRL- Series	C060JK10(E/X)
<b>Cooling Performance<sup>1</sup></b>	
Gross Cooling Capacity (2nd Stage) Btu [kW]	60,500 [17.73]
SEER <sup>2</sup>	14.2
EER (1st stage / 2nd stage)	12/10.7
AHRI Rated CFM (1st / 2nd stage) [L/s]	1250/1850 [590/873]
AHRI Net Cooling Capacity (1st / 2nd stage) Btu [kW]	41,800/58,000 [12.25/16.99]
Net Sensible Capacity (1st / 2nd stage) Btu [kW]	30,000/42,280 [8.79/12.39]
Net Latent Capacity (1st / 2nd stage) Btu [kW]	11,800/15,720 [3.46/4.61]
Net System Power (1st / 2nd stage) [kW]	3.48/5.4
<b>Heating Performance (Gas)<sup>3</sup></b>	
Heating Input Btu [kW] (1st / 2nd stage)	70,000/100,000 [20.51/29.3]
Heating Output Btu [kW] (1st / 2nd stage)	56,000/80,000 [16.41/23.44]
Temperature Rise Range °F [°C] (1st / 2nd stage)	30-60 [16.7-33.3] / 45-75 [25-41.7]
AFUE (%) <sup>4</sup>	80
Steady State Efficiency (%)	81
No. Burners	5
No. Stages	2
Gas Connection Pipe Size in. [mm]	0.5 [12.7]
<b>Compressor</b>	
No./Type	1/Scroll
<b>Outdoor Sound Rating (dB)<sup>5</sup></b>	
78	
<b>Outdoor Coil—Fin Type</b>	
Tube Type	Louvered
Tube Size in. [mm] OD	Rifled
Face Area sq. ft. [sq. m]	0.375 [9.5]
Rows / FPI [FPcm]	16.23 [1.51]
<b>Indoor Coil—Fin Type</b>	
Tube Type	Louvered
Tube Size in. [mm]	Rifled
Face Area sq. ft. [sq. m]	0.375 [9.5]
Rows / FPI [FPcm]	7.39 [0.69]
Refrigerant Control	2 / 15 [6]
Drain Connection No./Size in. [mm]	TX Valves
<b>Outdoor Fan—Type</b>	
No. Used/Diameter in. [mm]	Propeller
Drive Type/No. Speeds	1/22 [558.8]
CFM [L/s]	Direct/1
No. Motors/HP	3300 [1557]
Motor RPM	1 at 1/3 HP
<b>Indoor Fan—Type</b>	
No. Used/Diameter in. [mm]	FC Centrifugal
Drive Type/No. Speeds	1/12x9 [305x229]
No. Motors	Direct/11
Motor HP	1
Motor RPM	1
Motor Frame Size	1050
<b>Filter—Type</b>	
Furnished	Field Supplied
(NO.) Size Recommended in. [mm x mm x mm]	No
<b>Refrigerant Charge Oz. [g]</b>	
165.8 [4700]	
<b>Weights</b>	
Net Weight lbs. [kg]	583 [264]
Ship Weight lbs. [kg]	594 [269]

See Page 29 for Notes.

[ ] Designates Metric Conversions

## NOTES:

1. Cooling Performance is rated at 95° F ambient, 80° F entering dry bulb, 67° F entering wet bulb. Gross capacity does not include the effect of fan motor heat. AHRI capacity is net and includes the effect of fan motor heat. Units are suitable for operation in CFM range shown in airflow tables. Units are certified in accordance with the Unitary Air Conditioner Equipment certification program, which is based on AHRI Standard 210/240 or 360.
2. EER and/or SEER are rated at AHRI conditions and in accordance with DOE test procedures.
3. Heating Performance limit settings and rating data were established and approved under laboratory test conditions using American National Standard Institute standards. Ratings shown are for elevations up to 2000 feet. For elevations above 2000 feet, ratings should be reduced at the rate of 4% for each 1000 feet above sea level.
4. AFUE is rated in accordance with DOE test procedures.
5. Outdoor Sound Rating shown is tested in accordance with AHRI Standard 270.





## GROSS SYSTEMS PERFORMANCE DATA—B024

ENTERING INDOOR AIR @ 80°F [26.7°C] dbE ①											
wbE		71°F [21.7°C]			67°F [19.4°C]			63°F [17.2°C]			
CFM [L/s]		880 [415]	800 [378]	680 [321]	880 [415]	800 [378]	680 [321]	880 [415]	800 [378]	680 [321]	
DR ①		.19	.17	.16	.19	.17	.16	.19	.17	.16	
OUTDOOR DRY BULB TEMPERATURE °F [°C]	75 [23.9]	Total BTUH [kW] Sens BTUH [kW] Power	29.6 [8.67] 17.6 [5.16] 1.5	29.0 [8.50] 16.8 [4.92] 1.5	28.5 [8.35] 16.0 [4.69] 1.5	27.8 [8.15] 20.7 [6.07] 1.5	27.3 [8.00] 19.8 [5.80] 1.5	26.8 [7.85] 18.8 [5.51] 1.5	26.6 [7.80] 22.1 [6.48] 1.5	26.1 [7.65] 21.2 [6.21] 1.5	25.7 [7.53] 20.2 [5.92] 1.5
	80 [26.7]	Total BTUH [kW] Sens BTUH [kW] Power	29.0 [8.50] 17.3 [5.07] 1.6	28.5 [8.35] 16.5 [4.84] 1.6	28.0 [8.21] 15.7 [4.60] 1.6	27.2 [7.97] 20.3 [5.95] 1.6	26.8 [7.85] 19.4 [5.69] 1.6	26.3 [7.71] 18.5 [5.42] 1.6	26.0 [7.62] 21.8 [6.39] 1.6	25.6 [7.50] 20.8 [6.10] 1.6	25.1 [7.36] 19.9 [5.83] 1.6
	85 [29.4]	Total BTUH [kW] Sens BTUH [kW] Power	28.3 [8.29] 16.9 [4.95] 1.7	27.8 [8.15] 16.1 [4.72] 1.7	27.3 [8.00] 15.4 [4.51] 1.7	26.5 [7.77] 19.9 [5.83] 1.7	26.1 [7.65] 19.0 [5.57] 1.7	25.6 [7.50] 18.1 [5.30] 1.7	25.3 [7.41] 21.4 [6.27] 1.7	24.9 [7.30] 20.4 [5.98] 1.7	24.4 [7.15] 19.5 [5.71] 1.7
	90 [32.2]	Total BTUH [kW] Sens BTUH [kW] Power	27.5 [8.06] 16.4 [4.81] 1.8	27.0 [7.91] 15.7 [4.60] 1.8	26.5 [7.77] 14.9 [4.37] 1.8	25.7 [7.53] 19.5 [5.71] 1.8	25.3 [7.41] 18.6 [5.45] 1.8	24.8 [7.27] 17.7 [5.19] 1.8	24.5 [7.18] 20.9 [6.13] 1.8	24.1 [7.06] 20.0 [5.86] 1.8	23.7 [6.95] 19.1 [5.60] 1.8
	95 [35]	Total BTUH [kW] Sens BTUH [kW] Power	26.6 [7.80] 15.9 [4.66] 1.9	26.1 [7.65] 15.2 [4.45] 1.9	25.7 [7.53] 14.5 [4.25] 1.9	24.9 [7.30] 19.0 [5.57] 1.9	24.4 [7.15] 18.2 [5.33] 1.9	24.0 [7.03] 17.3 [5.07] 1.9	23.7 [6.95] 20.5 [6.01] 1.9	23.2 [6.80] 19.6 [5.74] 1.9	22.8 [6.68] 18.6 [5.45] 1.9
	100 [37.8]	Total BTUH [kW] Sens BTUH [kW] Power	25.7 [7.53] 15.5 [4.54] 2.0	25.3 [7.41] 14.8 [4.34] 2.0	24.8 [7.27] 14.1 [4.13] 2.0	24.0 [7.03] 18.6 [5.45] 2.0	23.5 [6.89] 17.8 [5.22] 2.0	23.1 [6.77] 16.9 [4.95] 2.0	22.8 [6.68] 20.0 [5.86] 2.0	22.4 [6.56] 19.2 [5.63] 2.0	22.0 [6.45] 18.3 [5.36] 2.0
	105 [40.6]	Total BTUH [kW] Sens BTUH [kW] Power	24.9 [7.30] 15.1 [4.43] 2.1	24.4 [7.15] 14.5 [4.25] 2.1	24.0 [7.03] 13.8 [4.04] 2.1	23.1 [6.77] 18.2 [5.33] 2.1	22.7 [6.65] 17.4 [5.10] 2.1	22.3 [6.54] 16.6 [4.86] 2.1	21.9 [6.42] 19.7 [5.77] 2.1	21.5 [6.30] 18.8 [5.51] 2.1	21.1 [6.18] 17.9 [5.25] 2.1
	110 [43.3]	Total BTUH [kW] Sens BTUH [kW] Power	24.0 [7.03] 14.9 [4.37] 2.2	23.6 [6.92] 14.2 [4.16] 2.2	23.2 [6.80] 13.6 [3.99] 2.1	22.3 [6.54] 18.0 [5.28] 2.2	21.9 [6.42] 17.2 [5.04] 2.2	21.5 [6.30] 16.4 [4.81] 2.1	21.1 [6.18] 19.4 [5.69] 2.2	20.7 [6.07] 18.6 [5.45] 2.2	20.3 [5.95] 17.7 [5.19] 2.1
	115 [46.1]	Total BTUH [kW] Sens BTUH [kW] Power	23.3 [6.83] 14.8 [4.34] 2.3	22.9 [6.71] 14.1 [4.13] 2.3	22.4 [6.56] 13.4 [3.93] 2.2	21.5 [6.30] 17.8 [5.22] 2.3	21.1 [6.18] 17.0 [4.98] 2.3	20.8 [6.10] 16.2 [4.75] 2.2	20.3 [5.95] 19.3 [5.66] 2.3	20.0 [5.86] 18.4 [5.39] 2.3	19.6 [5.74] 17.6 [5.16] 2.2

## GROSS SYSTEMS PERFORMANCE DATA—B030

ENTERING INDOOR AIR @ 80°F [26.7°C] dbE ①											
wbE		71°F [21.7°C]			67°F [19.4°C]			63°F [17.2°C]			
CFM [L/s]		1100 [519]	1000 [472]	850 [401]	1100 [519]	1000 [472]	850 [401]	1100 [519]	1000 [472]	850 [401]	
DR ①		.22	.20	.19	.22	.20	.19	.22	.20	.19	
OUTDOOR DRY BULB TEMPERATURE °F [°C]	75 [23.9]	Total BTUH [kW] Sens BTUH [kW] Power	36.7 [10.76] 21.3 [6.24] 1.8	36.0 [10.55] 20.4 [5.98] 1.8	35.4 [10.37] 19.4 [5.69] 1.8	34.5 [10.11] 25.4 [7.44] 1.8	33.9 [9.94] 24.3 [7.12] 1.8	33.3 [9.76] 23.2 [6.80] 1.8	33.1 [9.70] 27.1 [7.94] 1.8	32.6 [9.55] 25.9 [7.59] 1.8	32.0 [9.38] 24.7 [7.24] 1.8
	80 [26.7]	Total BTUH [kW] Sens BTUH [kW] Power	35.8 [10.49] 20.7 [6.07] 1.9	35.2 [10.32] 19.8 [5.80] 1.9	34.5 [10.11] 18.9 [5.54] 1.9	33.6 [9.85] 24.8 [7.27] 1.9	33.0 [9.67] 23.7 [6.95] 1.9	32.4 [9.50] 22.6 [6.62] 1.9	32.2 [9.44] 26.5 [7.77] 1.9	31.7 [9.29] 25.3 [7.41] 1.9	31.1 [9.11] 24.1 [7.06] 1.9
	85 [29.4]	Total BTUH [kW] Sens BTUH [kW] Power	34.8 [10.20] 20.1 [5.89] 2.0	34.2 [10.02] 19.2 [5.63] 2.0	33.5 [9.82] 18.3 [5.36] 2.0	32.6 [9.55] 24.2 [7.09] 2.0	32.0 [9.38] 23.1 [6.77] 2.0	31.4 [9.20] 22.0 [6.45] 2.0	31.2 [9.14] 25.9 [7.59] 2.0	30.7 [9.00] 24.7 [7.24] 2.0	30.1 [8.82] 23.6 [6.92] 2.0
	90 [32.2]	Total BTUH [kW] Sens BTUH [kW] Power	33.7 [9.88] 19.5 [5.71] 2.2	33.1 [9.70] 18.6 [5.45] 2.1	32.5 [9.52] 17.7 [5.19] 2.1	31.5 [9.23] 23.6 [6.92] 2.2	30.9 [9.06] 22.5 [6.59] 2.1	30.3 [8.88] 21.5 [6.30] 2.1	30.1 [8.82] 25.2 [7.39] 2.1	29.6 [8.67] 24.1 [7.06] 2.1	29.0 [8.50] 23.0 [6.74] 2.1
	95 [35]	Total BTUH [kW] Sens BTUH [kW] Power	32.5 [9.52] 18.8 [5.51] 2.3	31.9 [9.35] 18.0 [5.28] 2.2	31.3 [9.17] 17.2 [5.04] 2.2	30.3 [8.88] 23.0 [6.74] 2.3	29.7 [8.70] 21.9 [6.42] 2.2	29.2 [8.56] 20.9 [6.13] 2.2	28.9 [8.47] 24.6 [7.21] 2.3	28.4 [8.32] 23.5 [6.89] 2.2	27.9 [8.18] 22.4 [6.56] 2.2
	100 [37.8]	Total BTUH [kW] Sens BTUH [kW] Power	31.2 [9.14] 18.2 [5.33] 2.4	30.6 [8.97] 17.4 [5.10] 2.4	30.1 [8.82] 16.6 [4.86] 2.3	29.0 [8.50] 22.3 [6.54] 2.4	28.5 [8.35] 21.3 [6.24] 2.4	28.0 [8.21] 20.3 [5.95] 2.3	27.7 [8.12] 24.0 [7.03] 2.4	27.2 [7.97] 22.9 [6.71] 2.4	26.7 [7.83] 21.8 [6.39] 2.3
	105 [40.6]	Total BTUH [kW] Sens BTUH [kW] Power	29.9 [8.76] 17.5 [5.13] 2.5	29.4 [8.62] 16.7 [4.89] 2.5	28.8 [8.44] 16.0 [4.69] 2.5	27.7 [8.12] 21.6 [6.33] 2.5	27.2 [7.97] 20.7 [6.07] 2.5	26.7 [7.83] 19.7 [5.77] 2.5	26.3 [7.71] 23.3 [6.83] 2.5	25.9 [7.59] 22.3 [6.54] 2.5	25.4 [7.44] 21.2 [6.21] 2.4
	110 [43.3]	Total BTUH [kW] Sens BTUH [kW] Power	28.5 [8.35] 16.8 [4.92] 2.6	28.0 [8.21] 16.0 [4.69] 2.6	27.5 [8.06] 15.3 [4.48] 2.6	26.3 [7.71] 20.9 [6.13] 2.6	25.9 [7.59] 20.0 [5.86] 2.6	25.4 [7.44] 19.0 [5.57] 2.6	25.0 [7.33] 22.6 [6.62] 2.6	24.5 [7.18] 21.6 [6.33] 2.6	24.1 [7.06] 20.6 [6.04] 2.6
	115 [46.1]	Total BTUH [kW] Sens BTUH [kW] Power	27.2 [7.97] 16.0 [4.69] 2.7	26.7 [7.83] 15.3 [4.48] 2.7	26.2 [7.68] 14.6 [4.28] 2.7	25.0 [7.33] 20.1 [5.89] 2.7	24.5 [7.18] 19.2 [5.63] 2.7	24.1 [7.06] 18.3 [5.36] 2.7	23.6 [6.92] 21.8 [6.39] 2.7	23.2 [6.80] 20.8 [6.10] 2.7	22.8 [6.68] 19.8 [5.80] 2.7

DR —Depression ratio  
dbE —Entering air dry bulb  
wbE —Entering air wet bulb

Total —Total capacity x 1000 BTUH  
Sens —Sensible capacity x 1000 BTUH  
Power —KW input

NOTES: ① When the entering air dry bulb is other than 80°F [27°C], adjust the sensible capacity from the table by adding [1.10 x CFM x (1 - DR) x (dbE - 80)].

[ ] Designates Metric Conversions





## GROSS SYSTEMS PERFORMANCE DATA – B036

		ENTERING INDOOR AIR @ 80°F [26.7°C] dbE ①									
wbE		71°F [21.7°C]			67°F [19.4°C]			63°F [17.2°C]			
CFM [L/s]		1320 [623]	1200 [566]	1080 [510]	1320 [623]	1200 [566]	1080 [510]	1320 [623]	1200 [566]	1080 [510]	
DR ①		.17	.15	.13	.17	.15	.13	.17	.15	.13	
OUTDOOR DRY BULB TEMPERATURE °F [°C]	75 [23.9]	Total BTUH [kW] Sens BTUH [kW] Power	44.9 [13.16] 26.5 [7.77] 2.3	44.1 [12.92] 25.3 [7.41] 2.2	43.3 [12.69] 24.1 [7.06] 2.2	42.3 [12.40] 31.6 [9.26] 2.2	41.5 [12.16] 30.2 [8.85] 2.2	40.7 [11.93] 28.8 [8.44] 2.2	40.6 [11.90] 33.5 [9.82] 2.2	39.9 [11.69] 32.0 [9.38] 2.2	39.2 [11.49] 30.5 [8.94] 2.2
	80 [26.7]	Total BTUH [kW] Sens BTUH [kW] Power	44.2 [12.95] 26.2 [7.68] 2.4	43.4 [12.72] 25.0 [7.33] 2.4	42.6 [12.48] 23.8 [6.98] 2.4	41.6 [12.19] 31.3 [9.17] 2.4	40.8 [11.96] 29.9 [8.76] 2.4	40.1 [11.75] 28.5 [8.35] 2.3	39.9 [11.69] 33.2 [9.73] 2.4	39.2 [11.49] 31.7 [9.29] 2.4	38.5 [11.28] 30.2 [8.85] 2.3
	85 [29.4]	Total BTUH [kW] Sens BTUH [kW] Power	43.1 [12.63] 25.6 [7.50] 2.5	42.4 [12.43] 24.4 [7.15] 2.5	41.6 [12.19] 23.3 [6.83] 2.5	40.5 [11.87] 30.7 [9.00] 2.5	39.8 [11.66] 29.3 [8.59] 2.5	39.1 [11.46] 27.9 [8.18] 2.5	38.9 [11.40] 32.6 [9.55] 2.5	38.2 [11.20] 31.1 [9.11] 2.5	37.5 [10.99] 29.7 [8.70] 2.5
	90 [32.2]	Total BTUH [kW] Sens BTUH [kW] Power	41.8 [12.25] 24.8 [7.27] 2.7	41.1 [12.05] 23.7 [6.95] 2.7	40.3 [11.81] 22.6 [6.62] 2.6	39.2 [11.49] 29.9 [8.76] 2.7	38.5 [11.28] 28.6 [8.38] 2.6	37.8 [11.08] 27.3 [8.00] 2.6	37.6 [11.02] 31.8 [9.32] 2.7	36.9 [10.81] 30.4 [8.91] 2.6	36.2 [10.61] 29.0 [8.50] 2.6
	95 [35]	Total BTUH [kW] Sens BTUH [kW] Power	40.3 [11.81] 24.0 [7.03] 2.8	39.6 [11.61] 22.9 [6.71] 2.8	38.9 [11.40] 21.9 [6.42] 2.8	37.7 [11.05] 29.1 [8.53] 2.8	37.0 [10.84] 27.8 [8.15] 2.8	36.4 [10.67] 26.5 [7.77] 2.8	36.1 [10.58] 31.0 [9.09] 2.8	35.4 [10.37] 29.6 [8.67] 2.8	34.8 [10.20] 28.3 [8.29] 2.8
	100 [37.8]	Total BTUH [kW] Sens BTUH [kW] Power	38.8 [11.37] 23.2 [6.80] 3.0	38.1 [11.17] 22.1 [6.48] 2.9	37.4 [10.96] 21.1 [6.18] 2.9	36.1 [10.58] 28.3 [8.29] 3.0	35.5 [10.40] 27.0 [7.91] 2.9	34.8 [10.20] 25.8 [7.56] 2.9	34.5 [10.11] 30.2 [8.85] 2.9	33.9 [9.94] 28.8 [8.44] 2.9	33.3 [9.76] 27.5 [8.06] 2.9
	105 [40.6]	Total BTUH [kW] Sens BTUH [kW] Power	37.2 [10.90] 22.4 [6.56] 3.1	36.5 [10.70] 21.4 [6.27] 3.1	35.9 [10.52] 20.4 [5.98] 3.1	34.6 [10.14] 27.5 [8.06] 3.1	34.0 [9.96] 26.3 [7.71] 3.1	33.3 [9.76] 25.0 [7.33] 3.0	32.9 [9.64] 29.4 [8.62] 3.1	32.3 [9.47] 28.1 [8.24] 3.1	31.8 [9.32] 26.8 [7.85] 3.0
	110 [43.3]	Total BTUH [kW] Sens BTUH [kW] Power	35.7 [10.46] 21.8 [6.39] 3.3	35.1 [10.29] 20.8 [6.10] 3.2	34.5 [10.11] 19.8 [5.80] 3.2	33.1 [9.70] 26.9 [7.88] 3.2	32.5 [9.52] 25.7 [7.53] 3.2	31.9 [9.35] 24.5 [7.18] 3.2	31.5 [9.23] 28.8 [8.44] 3.2	30.9 [9.06] 27.5 [8.06] 3.2	30.4 [8.91] 26.2 [7.68] 3.2
	115 [46.1]	Total BTUH [kW] Sens BTUH [kW] Power	34.5 [10.11] 21.3 [6.24] 3.4	33.9 [9.94] 20.4 [5.98] 3.4	33.3 [9.76] 19.4 [5.69] 3.3	31.9 [9.35] 26.4 [7.74] 3.4	31.3 [9.17] 25.2 [7.39] 3.4	30.7 [9.00] 24.1 [7.06] 3.3	30.2 [8.85] 28.3 [8.29] 3.4	29.7 [8.70] 27.1 [7.94] 3.3	29.2 [8.56] 25.8 [7.56] 3.3

## GROSS SYSTEMS PERFORMANCE DATA – B042

		ENTERING INDOOR AIR @ 80°F [26.7°C] dbE ①									
wbE		71°F [21.7°C]			67°F [19.4°C]			63°F [17.2°C]			
CFM [L/s]		1540 [727]	1400 [661]	1260 [595]	1540 [727]	1400 [661]	1260 [595]	1540 [727]	1400 [661]	1260 [595]	
DR ①		.18	.17	.15	.18	.17	.15	.18	.17	.15	
OUTDOOR DRY BULB TEMPERATURE °F [°C]	75 [23.9]	Total BTUH [kW] Sens BTUH [kW] Power	53.6 [15.71] 31.1 [9.11] 2.6	52.6 [15.42] 29.7 [8.70] 2.6	51.7 [15.15] 28.3 [8.29] 2.6	50.3 [14.74] 36.6 [10.73] 2.6	49.4 [14.48] 34.9 [10.23] 2.6	48.5 [14.21] 33.3 [9.76] 2.6	48.6 [14.24] 39.7 [11.63] 2.6	47.7 [13.98] 37.9 [11.11] 2.6	46.8 [13.72] 36.2 [10.61] 2.6
	80 [26.7]	Total BTUH [kW] Sens BTUH [kW] Power	52.1 [15.27] 30.4 [8.91] 2.8	51.1 [14.98] 29.0 [8.50] 2.7	50.2 [14.71] 27.7 [8.12] 2.7	48.7 [14.27] 35.9 [10.52] 2.8	47.9 [14.04] 34.3 [10.05] 2.7	47.0 [13.77] 32.7 [9.58] 2.7	47.0 [13.77] 39.0 [11.43] 2.8	46.2 [13.54] 37.3 [10.93] 2.7	45.4 [13.31] 35.5 [10.40] 2.7
	85 [29.4]	Total BTUH [kW] Sens BTUH [kW] Power	50.6 [14.83] 29.7 [8.70] 2.9	49.7 [14.57] 28.4 [8.32] 2.9	48.8 [14.30] 27.1 [7.94] 2.9	47.3 [13.86] 35.2 [10.32] 2.9	46.4 [13.60] 33.6 [9.85] 2.9	45.6 [13.36] 32.0 [9.38] 2.9	45.6 [13.36] 38.3 [11.22] 2.9	44.8 [13.13] 36.6 [10.73] 2.9	44.0 [12.90] 34.9 [10.23] 2.9
	90 [32.2]	Total BTUH [kW] Sens BTUH [kW] Power	49.3 [14.45] 29.0 [8.50] 3.1	48.4 [14.18] 27.7 [8.12] 3.1	47.5 [13.92] 26.4 [7.74] 3.0	45.9 [13.45] 34.5 [10.11] 3.1	45.1 [13.22] 32.9 [9.64] 3.1	44.3 [12.98] 31.4 [9.20] 3.0	44.2 [12.95] 37.6 [11.02] 3.1	43.4 [12.72] 35.9 [10.52] 3.1	42.6 [12.48] 34.3 [10.05] 3.0
	95 [35]	Total BTUH [kW] Sens BTUH [kW] Power	47.9 [14.04] 28.3 [8.29] 3.2	47.1 [13.80] 27.1 [7.94] 3.2	46.2 [13.54] 25.8 [7.56] 3.2	44.6 [13.07] 33.8 [9.91] 3.2	43.8 [12.84] 32.3 [9.47] 3.2	43.0 [12.60] 30.8 [9.03] 3.2	42.9 [12.57] 36.9 [10.81] 3.2	42.1 [12.34] 35.3 [10.35] 3.2	41.4 [12.13] 33.6 [9.85] 3.2
	100 [37.8]	Total BTUH [kW] Sens BTUH [kW] Power	46.6 [13.66] 27.6 [8.09] 3.4	45.8 [13.42] 26.4 [7.74] 3.4	44.9 [13.16] 25.1 [7.36] 3.4	43.2 [12.66] 33.1 [9.70] 3.4	42.5 [12.46] 31.6 [9.26] 3.4	41.7 [12.22] 30.1 [8.82] 3.3	41.6 [12.19] 36.2 [10.61] 3.4	40.8 [11.96] 34.6 [10.14] 3.4	40.1 [11.75] 33.0 [9.67] 3.3
	105 [40.6]	Total BTUH [kW] Sens BTUH [kW] Power	45.3 [13.28] 26.9 [7.88] 3.6	44.4 [13.01] 25.7 [7.53] 3.5	43.6 [12.78] 24.5 [7.18] 3.5	41.9 [12.28] 32.3 [9.47] 3.6	41.2 [12.07] 30.9 [9.06] 3.5	40.4 [11.84] 29.4 [8.62] 3.5	40.2 [11.78] 35.5 [10.40] 3.6	39.5 [11.58] 33.9 [9.94] 3.5	38.8 [11.37] 32.3 [9.47] 3.5
	110 [43.3]	Total BTUH [kW] Sens BTUH [kW] Power	43.9 [12.87] 26.1 [7.65] 3.7	43.1 [12.63] 24.9 [7.30] 3.7	42.3 [12.40] 23.7 [6.95] 3.7	40.5 [11.87] 31.5 [9.23] 3.7	39.8 [11.66] 30.1 [8.82] 3.7	39.1 [11.46] 28.7 [8.41] 3.7	38.8 [11.37] 34.7 [10.17] 3.7	38.2 [11.20] 33.1 [9.70] 3.7	37.5 [10.99] 31.6 [9.26] 3.7
	115 [46.1]	Total BTUH [kW] Sens BTUH [kW] Power	42.4 [12.43] 25.2 [7.39] 3.9	41.7 [12.22] 24.1 [7.06] 3.9	40.9 [11.99] 23.0 [6.74] 3.8	39.1 [11.46] 30.7 [9.00] 3.9	38.4 [11.25] 29.3 [8.59] 3.8	37.7 [11.05] 28.0 [8.21] 3.8	37.4 [10.96] 33.8 [9.91] 3.9	36.7 [10.76] 32.3 [9.47] 3.8	36.1 [10.58] 30.8 [9.03] 3.8

DR —Depression ratio  
dbE—Entering air dry bulb  
wbE—Entering air wet bulb

Total —Total capacity x 1000 BTUH  
Sens —Sensible capacity x 1000 BTUH  
Power —KW input

NOTES: ① When the entering air dry bulb is other than 80°F [27°C], adjust the sensible capacity from the table by adding [1.10 x CFM x (1 - DR) x (dbE - 80)].

[ ] Designates Metric Conversions



### GROSS SYSTEMS PERFORMANCE DATA—B048

		ENTERING INDOOR AIR @ 80°F [26.7°C] dbE ①									
		wbE	71°F [21.7°C]			67°F [19.4°C]			63°F [17.2°C]		
		CFM [L/s]	1760 [831]	1600 [755]	1440 [680]	1760 [831]	1600 [755]	1440 [680]	1760 [831]	1600 [755]	1440 [680]
		DR ①	.22	.20	.19	.22	.20	.19	.22	.20	.19
OUTDOOR DRY BULB TEMPERATURE °F [°C]	75 [23.9]	Total BTUH [kW]	61.6 [18.05]	60.5 [17.73]	59.4 [17.41]	58.0 [17.00]	57.0 [16.71]	55.9 [16.38]	55.3 [16.21]	54.3 [15.91]	53.3 [15.62]
		Sens BTUH [kW]	34.8 [10.20]	33.2 [9.73]	31.7 [9.29]	41.6 [12.19]	39.7 [11.63]	37.9 [11.11]	44.4 [13.01]	42.4 [12.43]	40.4 [11.84]
		Power	3.0	2.9	2.9	2.9	2.9	2.9	2.9	2.9	2.9
	80 [26.7]	Total BTUH [kW]	59.9 [17.55]	58.8 [17.23]	57.7 [16.91]	56.2 [16.47]	55.2 [16.18]	54.2 [15.88]	53.5 [15.68]	52.6 [15.42]	51.6 [15.12]
		Sens BTUH [kW]	33.7 [9.88]	32.2 [9.44]	30.7 [9.00]	40.5 [11.87]	38.7 [11.34]	36.9 [10.81]	43.3 [12.69]	41.4 [12.13]	39.4 [11.55]
		Power	3.1	3.1	3.1	3.1	3.1	3.1	3.1	3.1	3.1
	85 [29.4]	Total BTUH [kW]	58.2 [17.06]	57.1 [16.73]	56.1 [16.44]	54.5 [15.97]	53.5 [15.68]	52.6 [15.42]	51.8 [15.18]	50.9 [14.92]	49.9 [14.62]
		Sens BTUH [kW]	32.8 [9.61]	31.3 [9.17]	29.8 [8.73]	39.6 [11.61]	37.8 [11.08]	36.0 [10.55]	42.3 [12.40]	40.4 [11.84]	38.6 [11.31]
		Power	3.3	3.3	3.3	3.3	3.3	3.2	3.3	3.3	3.2
90 [32.2]	Total BTUH [kW]	56.4 [16.53]	55.4 [16.24]	54.4 [15.94]	52.8 [15.47]	51.8 [15.18]	50.9 [14.92]	50.1 [14.68]	49.2 [14.42]	48.3 [14.16]	
	Sens BTUH [kW]	31.9 [9.35]	30.4 [8.91]	29.0 [8.50]	38.7 [11.34]	36.9 [10.81]	35.2 [10.32]	41.4 [12.13]	39.6 [11.61]	37.7 [11.05]	
	Power	3.5	3.5	3.4	3.5	3.4	3.4	3.5	3.4	3.4	
95 [35]	Total BTUH [kW]	54.7 [16.03]	53.7 [15.74]	52.7 [15.44]	51.0 [14.95]	50.1 [14.68]	49.2 [14.42]	48.3 [14.16]	47.4 [13.89]	46.6 [13.66]	
	Sens BTUH [kW]	31.0 [9.09]	29.6 [8.67]	28.2 [8.26]	37.8 [11.08]	36.1 [10.58]	34.4 [10.08]	40.6 [11.90]	38.7 [11.34]	36.9 [10.81]	
	Power	3.7	3.6	3.6	3.7	3.6	3.6	3.6	3.6	3.6	
100 [37.8]	Total BTUH [kW]	52.9 [15.50]	51.9 [15.21]	51.0 [14.95]	49.2 [14.42]	48.3 [14.16]	47.5 [13.92]	46.5 [13.63]	45.7 [13.39]	44.8 [13.13]	
	Sens BTUH [kW]	30.1 [8.82]	28.8 [8.44]	27.4 [8.03]	36.9 [10.81]	35.3 [10.35]	33.6 [9.85]	39.7 [11.63]	37.9 [11.11]	36.1 [10.58]	
	Power	3.9	3.8	3.8	3.8	3.8	3.8	3.8	3.8	3.8	
105 [40.6]	Total BTUH [kW]	51.0 [14.95]	50.1 [14.68]	49.2 [14.42]	47.3 [13.86]	46.5 [13.63]	45.6 [13.36]	44.6 [13.07]	43.8 [12.84]	43.0 [12.60]	
	Sens BTUH [kW]	29.2 [8.56]	27.9 [8.18]	26.6 [7.80]	36.0 [10.55]	34.4 [10.08]	32.8 [9.61]	38.8 [11.37]	37.0 [10.84]	35.3 [10.35]	
	Power	4.0	4.0	4.0	4.0	4.0	3.9	4.0	4.0	3.9	
110 [43.3]	Total BTUH [kW]	49.0 [14.36]	48.1 [14.10]	47.2 [13.83]	45.3 [13.28]	44.5 [13.04]	43.7 [12.81]	42.6 [12.48]	41.9 [12.28]	41.1 [12.05]	
	Sens BTUH [kW]	28.2 [8.26]	27.0 [7.91]	25.7 [7.53]	35.0 [10.26]	33.5 [9.82]	31.9 [9.35]	37.8 [11.08]	36.1 [10.58]	34.4 [10.08]	
	Power	4.2	4.2	4.1	4.2	4.2	4.1	4.2	4.1	4.1	
115 [46.1]	Total BTUH [kW]	46.9 [13.75]	46.1 [13.51]	45.2 [13.25]	43.2 [12.66]	42.5 [12.46]	41.7 [12.22]	40.5 [11.87]	39.8 [11.66]	39.1 [11.46]	
	Sens BTUH [kW]	27.1 [7.94]	25.9 [7.59]	24.7 [7.24]	33.9 [9.94]	32.4 [9.50]	30.9 [9.06]	36.7 [10.76]	35.1 [10.29]	33.4 [9.79]	
	Power	4.4	4.4	4.3	4.4	4.3	4.3	4.4	4.3	4.3	

### GROSS SYSTEMS PERFORMANCE DATA—C060

		ENTERING INDOOR AIR @ 80°F [26.7°C] dbE ①									
		wbE	71°F [21.7°C]			67°F [19.4°C]			63°F [17.2°C]		
		CFM [L/s]	2040 [963]	1850 [873]	1660 [783]	2040 [963]	1850 [873]	1660 [783]	2040 [963]	1850 [873]	1660 [783]
		DR ①	.21	.20	.18	.21	.20	.18	.21	.20	.18
OUTDOOR DRY BULB TEMPERATURE °F [°C]	75 [23.9]	Total BTUH [kW]	73.6 [21.57]	72.3 [21.19]	71.0 [20.81]	68.5 [20.08]	67.3 [19.72]	66.1 [19.37]	65.9 [19.31]	64.7 [18.96]	63.5 [18.61]
		Sens BTUH [kW]	42.2 [12.37]	40.3 [11.81]	38.4 [11.25]	49.1 [14.39]	46.9 [13.75]	44.7 [13.10]	53.3 [15.62]	50.9 [14.92]	48.5 [14.21]
		Power	4.0	3.9	3.9	3.9	3.8	3.8	3.8	3.8	3.7
	80 [26.7]	Total BTUH [kW]	71.3 [20.90]	70.0 [20.51]	68.7 [20.13]	66.2 [19.40]	65.0 [19.05]	63.9 [18.73]	63.6 [18.64]	62.4 [18.29]	61.3 [17.97]
		Sens BTUH [kW]	40.7 [11.93]	38.9 [11.40]	37.1 [10.87]	47.7 [13.98]	45.5 [13.33]	43.4 [12.72]	51.8 [15.18]	49.5 [14.51]	47.2 [13.83]
		Power	4.2	4.1	4.1	4.1	4.0	4.0	4.0	4.0	3.9
	85 [29.4]	Total BTUH [kW]	69.3 [20.31]	68.1 [19.96]	66.8 [19.58]	64.2 [18.82]	63.1 [18.49]	61.9 [18.14]	61.6 [18.05]	60.5 [17.73]	59.4 [17.41]
		Sens BTUH [kW]	39.5 [11.58]	37.8 [11.08]	36.0 [10.55]	46.5 [13.63]	44.4 [13.01]	42.3 [12.40]	50.6 [14.83]	48.3 [14.16]	46.1 [13.51]
		Power	4.4	4.4	4.3	4.3	4.3	4.2	4.2	4.2	4.1
90 [32.2]	Total BTUH [kW]	67.5 [19.78]	66.3 [19.43]	65.1 [19.08]	62.5 [18.32]	61.3 [17.97]	60.2 [17.64]	59.8 [17.53]	58.7 [17.20]	57.6 [16.88]	
	Sens BTUH [kW]	38.5 [11.28]	36.8 [10.79]	35.1 [10.29]	45.5 [13.33]	43.5 [12.75]	41.4 [12.13]	49.6 [14.54]	47.4 [13.89]	45.2 [13.25]	
	Power	4.6	4.6	4.5	4.5	4.5	4.4	4.4	4.4	4.4	
95 [35]	Total BTUH [kW]	65.8 [19.28]	64.7 [18.96]	63.5 [18.61]	60.8 [17.82]	59.7 [17.50]	58.6 [17.17]	58.1 [17.03]	57.1 [16.73]	56.0 [16.41]	
	Sens BTUH [kW]	37.7 [11.05]	36.0 [10.55]	34.3 [10.05]	44.6 [13.07]	42.6 [12.48]	40.7 [11.93]	48.8 [14.30]	46.6 [13.66]	44.4 [13.01]	
	Power	4.8	4.8	4.7	4.7	4.7	4.6	4.6	4.6	4.6	
100 [37.8]	Total BTUH [kW]	64.2 [18.82]	63.0 [18.46]	61.9 [18.14]	59.1 [17.32]	58.0 [17.00]	57.0 [16.71]	56.4 [16.53]	55.4 [16.24]	54.4 [15.94]	
	Sens BTUH [kW]	36.9 [10.81]	35.3 [10.35]	33.6 [9.85]	43.9 [12.87]	41.9 [12.28]	39.9 [11.69]	48.0 [14.07]	45.8 [13.42]	43.7 [12.81]	
	Power	5.0	5.0	4.9	4.9	4.9	4.8	4.9	4.8	4.8	
105 [40.6]	Total BTUH [kW]	62.4 [18.29]	61.3 [17.97]	60.1 [17.61]	57.3 [16.79]	56.3 [16.50]	55.3 [16.21]	54.6 [16.00]	53.7 [15.74]	52.7 [15.44]	
	Sens BTUH [kW]	36.1 [10.58]	34.5 [10.11]	32.9 [9.64]	43.1 [12.63]	41.2 [12.07]	39.2 [11.49]	47.2 [13.83]	45.1 [13.22]	43.0 [12.60]	
	Power	5.2	5.2	5.2	5.1	5.1	5.1	5.1	5.0	5.0	
110 [43.3]	Total BTUH [kW]	60.4 [17.70]	59.3 [17.38]	58.2 [17.06]	55.3 [16.21]	54.3 [15.91]	53.4 [15.65]	52.7 [15.44]	51.7 [15.15]	50.8 [14.89]	
	Sens BTUH [kW]	35.3 [10.35]	33.7 [9.88]	32.2 [9.44]	42.3 [12.40]	40.4 [11.84]	38.5 [11.28]	46.4 [13.60]	44.3 [12.98]	42.2 [12.37]	
	Power	5.5	5.4	5.4	5.4	5.3	5.3	5.3	5.2	5.2	
115 [46.1]	Total BTUH [kW]	58.1 [17.03]	57.1 [16.73]	56.0 [16.41]	53.0 [15.53]	52.1 [15.27]	51.1 [14.98]	50.4 [14.77]	49.5 [14.51]	48.6 [14.24]	
	Sens BTUH [kW]	34.4 [10.08]	32.8 [9.61]	31.3 [9.17]	41.3 [12.10]	39.5 [11.58]	37.6 [11.02]	45.4 [13.31]	43.4 [12.72]	41.4 [12.13]	
	Power	5.7	5.6	5.6	5.6	5.5	5.5	5.5	5.4	5.4	

DR —Depression ratio  
dbE —Entering air dry bulb  
wbE —Entering air wet bulb

Total —Total capacity x 1000 BTUH  
Sens —Sensible capacity x 1000 BTUH  
Power —KW input

NOTES: ① When the entering air dry bulb is other than 80°F [27°C], adjust the sensible capacity from the table by adding  $[1.10 \times \text{CFM} \times (1 - \text{DR}) \times (\text{dbE} - 80)]$ .

[ ] Designates Metric Conversions



## GROSS SYSTEMS PERFORMANCE DATA—B024

		ENTERING INDOOR AIR @ 80°F [26.7°C] dbE ①									
		wbE	71°F [21.7°C]			67°F [19.4°C]			63°F [17.2°C]		
		CFM [L/s]	880 [415]	800 [378]	720 [340]	880 [415]	800 [378]	720 [340]	880 [415]	800 [378]	720 [340]
		DR ①	.19	.17	.15	.19	.17	.15	.19	.17	.15
OUTDOOR DRY BULB TEMPERATURE °F [°C]	75 [23.9]	Total BTUH [kW] Sens BTUH [kW] Power	29.6 [8.67] 17.6 [5.16] 1.5	29.1 [8.53] 16.8 [4.92] 1.5	28.5 [8.35] 16.0 [4.69] 1.5	27.8 [8.15] 20.7 [6.07] 1.5	27.3 [8.00] 19.8 [5.80] 1.5	26.8 [7.85] 18.9 [5.54] 1.5	26.6 [7.80] 22.2 [6.51] 1.5	26.1 [7.65] 21.2 [6.21] 1.5	25.6 [7.50] 20.2 [5.92] 1.5
	80 [26.7]	Total BTUH [kW] Sens BTUH [kW] Power	29.0 [8.50] 17.3 [5.07] 1.6	28.5 [8.35] 16.5 [4.84] 1.6	28.0 [8.21] 15.7 [4.60] 1.6	27.2 [7.97] 20.4 [5.98] 1.6	26.7 [7.83] 19.5 [5.71] 1.6	26.3 [7.71] 18.5 [5.42] 1.6	26.0 [7.62] 21.9 [6.42] 1.6	25.5 [7.47] 20.9 [6.13] 1.6	25.1 [7.36] 19.9 [5.83] 1.6
	85 [29.4]	Total BTUH [kW] Sens BTUH [kW] Power	28.3 [8.29] 16.8 [4.92] 1.7	27.8 [8.15] 16.1 [4.72] 1.7	27.3 [8.00] 15.3 [4.48] 1.7	26.5 [7.77] 19.9 [5.83] 1.7	26.0 [7.62] 19.1 [5.60] 1.7	25.6 [7.50] 18.2 [5.33] 1.7	25.3 [7.41] 21.4 [6.27] 1.7	24.8 [7.27] 20.5 [6.01] 1.7	24.4 [7.15] 19.5 [5.71] 1.7
	90 [32.2]	Total BTUH [kW] Sens BTUH [kW] Power	27.5 [8.06] 16.4 [4.81] 1.8	27.0 [7.91] 15.6 [4.57] 1.8	26.5 [7.77] 14.9 [4.37] 1.8	25.7 [7.53] 19.5 [5.71] 1.8	25.2 [7.39] 18.6 [5.45] 1.8	24.8 [7.27] 17.7 [5.19] 1.8	24.5 [7.18] 21.0 [6.15] 1.8	24.0 [7.03] 20.0 [5.86] 1.8	23.6 [6.92] 19.1 [5.60] 1.8
	95 [35]	Total BTUH [kW] Sens BTUH [kW] Power	26.6 [7.80] 15.9 [4.66] 1.9	26.1 [7.65] 15.2 [4.45] 1.9	25.7 [7.53] 14.5 [4.25] 1.9	24.8 [7.27] 19.0 [5.57] 1.9	24.4 [7.15] 18.2 [5.33] 1.9	23.9 [7.00] 17.3 [5.07] 1.9	23.6 [6.92] 20.5 [6.01] 1.9	23.2 [6.80] 19.6 [5.74] 1.9	22.8 [6.68] 18.7 [5.48] 1.9
	100 [37.8]	Total BTUH [kW] Sens BTUH [kW] Power	25.7 [7.53] 15.5 [4.54] 2.0	25.2 [7.39] 14.8 [4.34] 2.0	24.8 [7.27] 14.1 [4.13] 2.0	23.9 [7.00] 18.6 [5.45] 2.0	23.5 [6.89] 17.7 [5.19] 2.0	23.1 [6.77] 16.9 [4.95] 2.0	22.7 [6.65] 20.1 [5.89] 2.0	22.3 [6.54] 19.2 [5.63] 2.0	21.9 [6.42] 18.3 [5.36] 2.0
	105 [40.6]	Total BTUH [kW] Sens BTUH [kW] Power	24.8 [7.27] 15.1 [4.43] 2.1	24.4 [7.15] 14.4 [4.22] 2.1	23.9 [7.00] 13.7 [4.02] 2.1	23.0 [6.74] 18.2 [5.33] 2.1	22.6 [6.62] 17.4 [5.10] 2.1	22.2 [6.51] 16.6 [4.86] 2.1	21.8 [6.39] 19.7 [5.77] 2.1	21.4 [6.27] 18.8 [5.51] 2.1	21.0 [6.15] 17.9 [5.25] 2.1
	110 [43.3]	Total BTUH [kW] Sens BTUH [kW] Power	24.0 [7.03] 14.8 [4.34] 2.2	23.5 [6.89] 14.2 [4.16] 2.2	23.1 [6.77] 13.5 [3.96] 2.2	22.2 [6.51] 17.9 [5.25] 2.2	21.8 [6.39] 17.1 [5.01] 2.2	21.4 [6.27] 16.3 [4.78] 2.2	21.0 [6.15] 19.4 [5.69] 2.2	20.6 [6.04] 18.6 [5.45] 2.2	20.2 [5.92] 17.7 [5.19] 2.2
	115 [46.1]	Total BTUH [kW] Sens BTUH [kW] Power	23.2 [6.80] 14.7 [4.31] 2.3	22.8 [6.68] 14.0 [4.10] 2.3	22.4 [6.56] 13.4 [3.93] 2.2	21.4 [6.27] 17.8 [5.22] 2.3	21.0 [6.15] 17.0 [4.98] 2.3	20.7 [6.07] 16.2 [4.75] 2.2	20.2 [5.92] 19.3 [5.66] 2.3	19.8 [5.80] 18.4 [5.39] 2.3	19.5 [5.71] 17.6 [5.16] 2.2

## GROSS SYSTEMS PERFORMANCE DATA—B030

		ENTERING INDOOR AIR @ 80°F [26.7°C] dbE ①									
		wbE	71°F [21.7°C]			67°F [19.4°C]			63°F [17.2°C]		
		CFM [L/s]	1100 [519]	1000 [472]	900 [425]	1100 [519]	1000 [472]	900 [425]	1100 [519]	1000 [472]	900 [425]
		DR ①	.20	.19	.17	.20	.19	.17	.20	.19	.17
OUTDOOR DRY BULB TEMPERATURE °F [°C]	75 [23.9]	Total BTUH [kW] Sens BTUH [kW] Power	36.7 [10.76] 21.5 [6.30] 1.8	36.1 [10.58] 20.6 [6.04] 1.8	35.4 [10.37] 19.6 [5.74] 1.8	34.5 [10.11] 25.7 [7.53] 1.8	33.9 [9.94] 24.6 [7.21] 1.8	33.3 [9.76] 23.4 [6.86] 1.8	33.1 [9.70] 27.4 [8.03] 1.8	32.5 [9.52] 26.2 [7.68] 1.8	32.0 [9.38] 25.0 [7.33] 1.8
	80 [26.7]	Total BTUH [kW] Sens BTUH [kW] Power	35.8 [10.49] 20.9 [6.13] 1.9	35.2 [10.32] 20.0 [5.86] 1.9	34.5 [10.11] 19.0 [5.57] 1.9	33.6 [9.85] 25.1 [7.36] 1.9	33.0 [9.67] 24.0 [7.03] 1.9	32.4 [9.50] 22.9 [6.71] 1.9	32.2 [9.44] 26.8 [7.85] 1.9	31.6 [9.26] 25.6 [7.50] 1.9	31.1 [9.11] 24.4 [7.15] 1.9
	85 [29.4]	Total BTUH [kW] Sens BTUH [kW] Power	34.8 [10.20] 20.3 [5.95] 2.0	34.2 [10.02] 19.4 [5.69] 2.0	33.5 [9.82] 18.5 [5.42] 2.0	32.6 [9.55] 24.5 [7.18] 2.0	32.0 [9.38] 23.4 [6.86] 2.0	31.4 [9.20] 22.3 [6.54] 2.0	31.2 [9.14] 26.1 [7.65] 2.0	30.6 [8.97] 25.0 [7.33] 2.0	30.1 [8.82] 23.8 [6.98] 2.0
	90 [32.2]	Total BTUH [kW] Sens BTUH [kW] Power	33.7 [9.88] 19.7 [5.77] 2.1	33.1 [9.70] 18.8 [5.51] 2.1	32.5 [9.52] 17.9 [5.25] 2.1	31.4 [9.20] 23.8 [6.98] 2.1	30.9 [9.06] 22.8 [6.68] 2.1	30.3 [8.88] 21.7 [6.36] 2.1	30.1 [8.82] 25.5 [7.47] 2.1	29.5 [8.65] 24.4 [7.15] 2.1	29.0 [8.50] 23.3 [6.83] 2.1
	95 [35]	Total BTUH [kW] Sens BTUH [kW] Power	32.4 [9.50] 19.0 [5.57] 2.3	31.9 [9.35] 18.2 [5.33] 2.2	31.3 [9.17] 17.3 [5.07] 2.2	30.2 [8.85] 23.2 [6.80] 2.3	29.7 [8.70] 22.2 [6.51] 2.2	29.1 [8.53] 21.1 [6.18] 2.2	28.9 [8.47] 24.9 [7.30] 2.2	28.3 [8.29] 23.8 [6.98] 2.2	27.8 [8.15] 22.7 [6.65] 2.2
	100 [37.8]	Total BTUH [kW] Sens BTUH [kW] Power	31.2 [9.14] 18.4 [5.39] 2.4	30.6 [8.97] 17.6 [5.16] 2.3	30.1 [8.82] 16.7 [4.89] 2.3	28.9 [8.47] 22.6 [6.62] 2.4	28.4 [8.32] 21.6 [6.33] 2.3	27.9 [8.18] 20.5 [6.01] 2.3	27.6 [8.09] 24.2 [7.09] 2.4	27.1 [7.94] 23.2 [6.80] 2.3	26.6 [7.80] 22.1 [6.48] 2.3
	105 [40.6]	Total BTUH [kW] Sens BTUH [kW] Power	29.8 [8.73] 17.7 [5.19] 2.5	29.3 [8.59] 16.9 [4.95] 2.5	28.8 [8.44] 16.1 [4.72] 2.4	27.6 [8.09] 21.9 [6.42] 2.5	27.1 [7.94] 20.9 [6.13] 2.5	26.6 [7.80] 19.9 [5.83] 2.4	26.2 [7.68] 23.5 [6.89] 2.5	25.8 [7.56] 22.5 [6.59] 2.4	25.3 [7.41] 21.4 [6.27] 2.4
	110 [43.3]	Total BTUH [kW] Sens BTUH [kW] Power	28.5 [8.35] 16.9 [4.95] 2.6	27.9 [8.18] 16.2 [4.75] 2.6	27.4 [8.03] 15.4 [4.51] 2.5	26.2 [7.68] 21.1 [6.18] 2.6	25.8 [7.56] 20.2 [5.92] 2.6	25.3 [7.41] 19.2 [5.63] 2.5	24.9 [7.30] 22.8 [6.68] 2.6	24.4 [7.15] 21.8 [6.39] 2.6	24.0 [7.03] 20.8 [6.10] 2.5
	115 [46.1]	Total BTUH [kW] Sens BTUH [kW] Power	27.1 [7.94] 16.2 [4.75] 2.7	26.6 [7.80] 15.4 [4.51] 2.7	26.1 [7.65] 14.7 [4.31] 2.6	24.8 [7.27] 20.3 [5.95] 2.7	24.4 [7.15] 19.4 [5.69] 2.7	23.9 [7.00] 18.5 [5.42] 2.6	23.5 [6.89] 22.0 [6.45] 2.7	23.0 [6.74] 21.0 [6.15] 2.7	22.6 [6.62] 20.1 [5.89] 2.6

DR —Depression ratio  
dbE —Entering air dry bulb  
wbE —Entering air wet bulb

Total —Total capacity x 1000 BTUH  
Sens —Sensible capacity x 1000 BTUH  
Power —KW input

NOTES: ① When the entering air dry bulb is other than 80°F [27°C], adjust the sensible capacity from the table by adding  $[1.10 \times \text{CFM} \times (1 - \text{DR}) \times (\text{dbE} - 80)]$ .

[ ] Designates Metric Conversions







## GROSS SYSTEMS PERFORMANCE DATA—B036

ENTERING INDOOR AIR @ 80°F [26.7°C] dbE ①											
wbE		71°F [21.7°C]			67°F [19.4°C]			63°F [17.2°C]			
CFM [L/s]		1320 [623]	1200 [566]	1080 [510]	1320 [623]	1200 [566]	1080 [510]	1320 [623]	1200 [566]	1080 [510]	
DR ①		.19	.18	.16	.19	.18	.16	.19	.18	.16	
OUTDOOR DRY BULB TEMPERATURE °F [°C]	75 [23.9]	Total BTUH [kW] Sens BTUH [kW] Power	44.7 [13.10] 25.8 [7.56] 2.2	43.9 [12.87] 24.7 [7.24] 2.2	43.1 [12.63] 23.5 [6.89] 2.2	42.1 [12.34] 31.0 [9.09] 2.2	41.3 [12.10] 29.6 [8.67] 2.2	40.6 [11.90] 28.2 [8.26] 2.2	40.4 [11.84] 32.9 [9.64] 2.2	39.7 [11.63] 31.5 [9.23] 2.2	39.0 [11.43] 30.0 [8.79] 2.1
	80 [26.7]	Total BTUH [kW] Sens BTUH [kW] Power	44.0 [12.90] 25.5 [7.47] 2.3	43.3 [12.69] 24.3 [7.12] 2.3	42.5 [12.46] 23.2 [6.80] 2.3	41.4 [12.13] 30.7 [9.00] 2.3	40.6 [11.90] 29.3 [8.59] 2.3	39.9 [11.69] 27.9 [8.18] 2.3	39.7 [11.63] 32.6 [9.55] 2.3	39.0 [11.43] 31.1 [9.11] 2.3	38.3 [11.22] 29.7 [8.70] 2.3
	85 [29.4]	Total BTUH [kW] Sens BTUH [kW] Power	43.0 [12.60] 24.9 [7.30] 2.5	42.2 [12.37] 23.8 [6.98] 2.5	41.4 [12.13] 22.7 [6.65] 2.4	40.3 [11.81] 30.1 [8.82] 2.5	39.6 [11.61] 28.7 [8.41] 2.4	38.9 [11.40] 27.4 [8.03] 2.4	38.6 [11.31] 32.0 [9.38] 2.5	38.0 [11.14] 30.6 [8.97] 2.4	37.3 [10.93] 29.1 [8.53] 2.4
	90 [32.2]	Total BTUH [kW] Sens BTUH [kW] Power	41.6 [12.19] 24.1 [7.06] 2.6	40.9 [11.99] 23.1 [6.77] 2.6	40.1 [11.75] 22.0 [6.45] 2.6	39.0 [11.43] 29.3 [8.59] 2.6	38.3 [11.22] 28.0 [8.21] 2.6	37.6 [11.02] 26.7 [7.83] 2.6	37.3 [10.93] 31.2 [9.14] 2.6	36.6 [10.73] 29.9 [8.76] 2.6	36.0 [10.55] 28.5 [8.35] 2.5
	95 [35]	Total BTUH [kW] Sens BTUH [kW] Power	40.1 [11.75] 23.3 [6.83] 2.7	39.4 [11.55] 22.3 [6.54] 2.7	38.7 [11.34] 21.2 [6.21] 2.7	37.5 [10.99] 28.5 [8.35] 2.7	36.8 [10.79] 27.2 [7.97] 2.7	36.1 [10.58] 25.9 [7.59] 2.7	35.8 [10.49] 30.4 [8.91] 2.7	35.2 [10.32] 29.1 [8.53] 2.7	34.5 [10.11] 27.7 [8.12] 2.7
	100 [37.8]	Total BTUH [kW] Sens BTUH [kW] Power	38.5 [11.28] 22.4 [6.56] 2.9	37.8 [11.08] 21.4 [6.27] 2.9	37.1 [10.87] 20.4 [5.98] 2.8	35.9 [10.52] 27.6 [8.09] 2.9	35.2 [10.32] 26.4 [7.74] 2.8	34.6 [10.14] 25.2 [7.39] 2.8	34.2 [10.02] 29.6 [8.67] 2.9	33.6 [9.85] 28.2 [8.26] 2.8	33.0 [9.67] 26.9 [7.88] 2.8
	105 [40.6]	Total BTUH [kW] Sens BTUH [kW] Power	36.9 [10.81] 21.6 [6.33] 3.0	36.3 [10.64] 20.7 [6.07] 3.0	35.6 [10.43] 19.7 [5.77] 3.0	34.3 [10.05] 26.8 [7.85] 3.0	33.7 [9.88] 25.6 [7.50] 3.0	33.0 [9.67] 24.4 [7.15] 3.0	32.6 [9.55] 28.8 [8.44] 3.0	32.0 [9.38] 27.5 [8.06] 3.0	31.4 [9.20] 26.2 [7.68] 2.9
	110 [43.3]	Total BTUH [kW] Sens BTUH [kW] Power	35.5 [10.40] 21.0 [6.15] 3.2	34.8 [10.20] 20.1 [5.89] 3.1	34.2 [10.02] 19.1 [5.60] 3.1	32.8 [9.61] 26.2 [7.68] 3.1	32.2 [9.44] 25.0 [7.33] 3.1	31.6 [9.26] 23.8 [6.98] 3.1	31.1 [9.11] 28.1 [8.24] 3.1	30.6 [8.97] 26.9 [7.88] 3.1	30.0 [8.79] 25.6 [7.50] 3.1
	115 [46.1]	Total BTUH [kW] Sens BTUH [kW] Power	34.2 [10.02] 20.6 [6.04] 3.3	33.6 [9.85] 19.6 [5.74] 3.3	33.0 [9.67] 18.7 [5.48] 3.2	31.5 [9.23] 25.7 [7.53] 3.3	31.0 [9.09] 24.6 [7.21] 3.2	30.4 [8.91] 23.4 [6.86] 3.2	29.9 [8.76] 27.7 [8.12] 3.3	29.3 [8.59] 26.4 [7.74] 3.2	28.8 [8.44] 25.2 [7.39] 3.2

## GROSS SYSTEMS PERFORMANCE DATA—B042

ENTERING INDOOR AIR @ 80°F [26.7°C] dbE ①											
wbE		71°F [21.7°C]			67°F [19.4°C]			63°F [17.2°C]			
CFM [L/s]		1540 [727]	1400 [661]	1260 [595]	1540 [727]	1400 [661]	1260 [595]	1540 [727]	1400 [661]	1260 [595]	
DR ①		.19	.17	.16	.19	.17	.16	.19	.17	.16	
OUTDOOR DRY BULB TEMPERATURE °F [°C]	75 [23.9]	Total BTUH [kW] Sens BTUH [kW] Power	54.0 [15.83] 31.1 [9.11] 2.7	53.0 [15.53] 29.7 [8.70] 2.7	52.1 [15.27] 28.3 [8.29] 2.6	50.6 [14.83] 36.6 [10.73] 2.7	49.7 [14.57] 35.0 [10.26] 2.6	48.8 [14.30] 33.4 [9.79] 2.6	48.9 [14.33] 39.8 [11.66] 2.7	48.0 [14.07] 38.1 [11.17] 2.6	47.2 [13.83] 36.3 [10.64] 2.6
	80 [26.7]	Total BTUH [kW] Sens BTUH [kW] Power	52.4 [15.36] 30.4 [8.91] 2.8	51.5 [15.09] 29.0 [8.50] 2.8	50.6 [14.83] 27.7 [8.12] 2.8	49.0 [14.36] 35.9 [10.52] 2.8	48.2 [14.13] 34.3 [10.05] 2.8	47.3 [13.86] 32.7 [9.58] 2.8	47.3 [13.86] 39.1 [11.46] 2.8	46.5 [13.63] 37.4 [10.96] 2.8	45.7 [13.39] 35.6 [10.43] 2.8
	85 [29.4]	Total BTUH [kW] Sens BTUH [kW] Power	51.0 [14.95] 29.7 [8.70] 3.0	50.1 [14.68] 28.3 [8.29] 3.0	49.2 [14.42] 27.0 [7.91] 2.9	47.6 [13.95] 35.2 [10.32] 3.0	46.7 [13.69] 33.6 [9.85] 2.9	45.9 [13.45] 32.1 [9.41] 2.9	45.9 [13.45] 38.4 [11.25] 3.0	45.1 [13.22] 36.7 [10.76] 2.9	44.2 [12.95] 35.0 [10.26] 2.9
	90 [32.2]	Total BTUH [kW] Sens BTUH [kW] Power	49.6 [14.54] 29.0 [8.50] 3.1	48.7 [14.27] 27.7 [8.12] 3.1	47.8 [14.01] 26.4 [7.74] 3.1	46.2 [13.54] 34.5 [10.11] 3.1	45.4 [13.31] 33.0 [9.67] 3.1	44.5 [13.04] 31.4 [9.20] 3.1	44.5 [13.04] 37.7 [11.05] 3.1	43.7 [12.81] 36.0 [10.55] 3.1	42.9 [12.57] 34.3 [10.05] 3.1
	95 [35]	Total BTUH [kW] Sens BTUH [kW] Power	48.2 [14.13] 28.3 [8.29] 3.3	47.4 [13.89] 27.0 [7.91] 3.3	46.5 [13.63] 25.7 [7.53] 3.2	44.8 [13.13] 33.8 [9.91] 3.3	44.0 [12.90] 32.3 [9.47] 3.2	43.2 [12.66] 30.8 [9.03] 3.2	43.1 [12.63] 37.0 [10.84] 3.3	42.4 [12.43] 35.3 [10.35] 3.2	41.6 [12.19] 33.7 [9.88] 3.2
	100 [37.8]	Total BTUH [kW] Sens BTUH [kW] Power	46.9 [13.75] 27.5 [8.06] 3.4	46.0 [13.48] 26.3 [7.71] 3.4	45.2 [13.25] 25.1 [7.36] 3.4	43.5 [12.75] 33.1 [9.70] 3.4	42.7 [12.51] 31.6 [9.26] 3.4	41.9 [12.28] 30.1 [8.82] 3.4	41.8 [12.25] 36.3 [10.64] 3.4	41.0 [12.02] 34.7 [10.17] 3.4	40.3 [11.81] 33.0 [9.67] 3.4
	105 [40.6]	Total BTUH [kW] Sens BTUH [kW] Power	45.5 [13.33] 26.8 [7.85] 3.6	44.7 [13.10] 25.6 [7.50] 3.6	43.9 [12.87] 24.4 [7.15] 3.5	42.1 [12.34] 32.3 [9.47] 3.6	41.4 [12.13] 30.9 [9.06] 3.5	40.6 [11.90] 29.4 [8.62] 3.5	40.4 [11.84] 35.5 [10.40] 3.6	39.7 [11.63] 33.9 [9.94] 3.5	39.0 [11.43] 32.3 [9.47] 3.5
	110 [43.3]	Total BTUH [kW] Sens BTUH [kW] Power	44.1 [12.92] 26.0 [7.62] 3.7	43.3 [12.69] 24.8 [7.27] 3.7	42.5 [12.46] 23.7 [6.95] 3.7	40.7 [11.93] 31.5 [9.23] 3.7	40.0 [11.72] 30.1 [8.82] 3.7	39.3 [11.52] 28.7 [8.41] 3.7	39.0 [11.43] 34.7 [10.17] 3.7	38.3 [11.22] 33.2 [9.73] 3.7	37.6 [11.02] 31.6 [9.26] 3.7
	115 [46.1]	Total BTUH [kW] Sens BTUH [kW] Power	42.7 [12.51] 25.1 [7.36] 3.9	41.9 [12.28] 24.0 [7.03] 3.9	41.1 [12.05] 22.9 [6.71] 3.8	39.3 [11.52] 30.7 [9.00] 3.9	38.6 [11.31] 29.3 [8.59] 3.8	37.9 [11.11] 27.9 [8.18] 3.8	37.6 [11.02] 33.8 [9.91] 3.9	36.9 [10.81] 32.3 [9.47] 3.8	36.2 [10.61] 30.8 [9.03] 3.8

DR —Depression ratio  
dbE —Entering air dry bulb  
wbE —Entering air wet bulb

Total —Total capacity x 1000 BTUH  
Sens —Sensible capacity x 1000 BTUH  
Power —KW input

NOTES: ① When the entering air dry bulb is other than 80°F [27°C], adjust the sensible capacity from the table by adding [1.10 x CFM x (1 - DR) x (dbE - 80)].

[ ] Designates Metric Conversions





## GROSS SYSTEMS PERFORMANCE DATA—B048

ENTERING INDOOR AIR @ 80°F [26.7°C] dbE ①											
wbE		71°F [21.7°C]			67°F [19.4°C]			63°F [17.2°C]			
CFM [L/s]		1760 [831]	1600 [755]	1440 [680]	1760 [831]	1600 [755]	1440 [680]	1760 [831]	1600 [755]	1440 [680]	
DR ①		.21	.20	.18	.21	.20	.18	.21	.20	.18	
OUTDOOR DRY BULB TEMPERATURE °F [°C]	75 [23.9]	Total BTUH [kW] Sens BTUH [kW] Power	62.0 [18.17] 35.0 [10.26] 3.0	60.9 [17.85] 33.4 [9.79] 3.0	59.8 [17.53] 31.9 [9.35] 3.0	58.3 [17.09] 41.9 [12.28] 3.0	57.3 [16.79] 40.0 [11.72] 3.0	56.3 [16.50] 38.1 [11.17] 2.9	55.6 [16.29] 44.7 [13.10] 3.0	54.6 [16.00] 42.7 [12.51] 3.0	53.6 [15.71] 40.7 [11.93] 2.9
	80 [26.7]	Total BTUH [kW] Sens BTUH [kW] Power	60.3 [17.67] 33.9 [9.94] 3.2	59.2 [17.35] 32.4 [9.50] 3.2	58.1 [17.03] 30.9 [9.06] 3.1	56.6 [16.59] 40.8 [11.96] 3.2	55.5 [16.27] 39.0 [11.43] 3.1	54.5 [15.97] 37.2 [10.90] 3.1	53.8 [15.77] 43.6 [12.78] 3.2	52.8 [15.47] 41.7 [12.22] 3.1	51.9 [15.21] 39.7 [11.63] 3.1
	85 [29.4]	Total BTUH [kW] Sens BTUH [kW] Power	58.5 [17.14] 32.9 [9.64] 3.4	57.5 [16.85] 31.5 [9.23] 3.3	56.4 [16.53] 30.0 [8.79] 3.3	54.8 [16.06] 39.8 [11.66] 3.3	53.8 [15.77] 38.1 [11.17] 3.3	52.8 [15.47] 36.3 [10.64] 3.3	52.0 [15.24] 42.6 [12.48] 3.3	51.1 [14.98] 40.7 [11.93] 3.3	50.2 [14.71] 38.8 [11.37] 3.3
	90 [32.2]	Total BTUH [kW] Sens BTUH [kW] Power	56.7 [16.62] 32.0 [9.38] 3.5	55.7 [16.32] 30.6 [8.97] 3.5	54.7 [16.03] 29.2 [8.56] 3.5	53.0 [15.53] 38.9 [11.40] 3.5	52.1 [15.27] 37.2 [10.90] 3.5	51.1 [14.98] 35.4 [10.37] 3.4	50.3 [14.74] 41.7 [12.22] 3.5	49.4 [14.48] 39.9 [11.69] 3.5	48.5 [14.21] 38.0 [11.14] 3.4
	95 [35]	Total BTUH [kW] Sens BTUH [kW] Power	55.0 [16.12] 31.1 [9.11] 3.7	54.0 [15.83] 29.7 [8.70] 3.7	53.0 [15.53] 28.3 [8.29] 3.6	51.3 [15.03] 38.0 [11.14] 3.7	50.3 [14.74] 36.3 [10.64] 3.6	49.4 [14.48] 34.6 [10.14] 3.6	48.5 [14.21] 40.8 [11.96] 3.7	47.6 [13.95] 39.0 [11.43] 3.6	46.8 [13.72] 37.2 [10.90] 3.6
	100 [37.8]	Total BTUH [kW] Sens BTUH [kW] Power	53.1 [15.56] 30.2 [8.85] 3.9	52.2 [15.30] 28.9 [8.47] 3.8	51.2 [15.01] 27.5 [8.06] 3.8	49.4 [14.48] 37.1 [10.87] 3.8	48.5 [14.21] 35.5 [10.40] 3.8	47.7 [13.98] 33.8 [9.91] 3.8	46.7 [13.69] 40.0 [11.72] 3.8	45.8 [13.42] 38.2 [11.20] 3.8	45.0 [13.19] 36.4 [10.67] 3.8
	105 [40.6]	Total BTUH [kW] Sens BTUH [kW] Power	51.2 [15.01] 29.3 [8.59] 4.0	50.3 [14.74] 28.0 [8.21] 4.0	49.4 [14.48] 26.7 [7.83] 4.0	47.5 [13.92] 36.2 [10.61] 4.0	46.7 [13.69] 34.6 [10.14] 4.0	45.8 [13.42] 33.0 [9.67] 3.9	44.8 [13.13] 39.0 [11.43] 4.0	44.0 [12.90] 37.3 [10.93] 4.0	43.2 [12.66] 35.5 [10.40] 3.9
	110 [43.3]	Total BTUH [kW] Sens BTUH [kW] Power	49.2 [14.42] 28.3 [8.29] 4.2	48.3 [14.16] 27.1 [7.94] 4.2	47.5 [13.92] 25.8 [7.56] 4.1	45.5 [13.33] 35.2 [10.32] 4.2	44.7 [13.10] 33.6 [9.85] 4.1	43.9 [12.87] 32.1 [9.41] 4.1	42.8 [12.54] 38.0 [11.14] 4.2	42.0 [12.31] 36.3 [10.64] 4.1	41.2 [12.07] 34.6 [10.14] 4.1
	115 [46.1]	Total BTUH [kW] Sens BTUH [kW] Power	47.1 [13.80] 27.2 [7.97] 4.4	46.2 [13.54] 26.0 [7.62] 4.3	45.4 [13.31] 24.8 [7.27] 4.3	43.4 [12.72] 34.1 [9.99] 4.3	42.6 [12.48] 32.6 [9.55] 4.3	41.8 [12.25] 31.1 [9.11] 4.3	40.6 [11.90] 36.9 [10.81] 4.3	39.9 [11.69] 35.3 [10.35] 4.3	39.2 [11.49] 33.6 [9.85] 4.3

## GROSS SYSTEMS PERFORMANCE DATA—B060

ENTERING INDOOR AIR @ 80°F [26.7°C] dbE ①											
wbE		71°F [21.7°C]			67°F [19.4°C]			63°F [17.2°C]			
CFM [L/s]		2040 [963]	1850 [873]	1660 [783]	2040 [963]	1850 [873]	1660 [783]	2040 [963]	1850 [873]	1660 [783]	
DR ①		.21	.20	.18	.21	.20	.18	.21	.20	.18	
OUTDOOR DRY BULB TEMPERATURE °F [°C]	75 [23.9]	Total BTUH [kW] Sens BTUH [kW] Power	73.6 [21.57] 42.2 [12.37] 4.0	72.3 [21.19] 40.3 [11.81] 3.9	71.0 [20.81] 38.4 [11.25] 3.9	68.5 [20.08] 49.1 [14.39] 3.9	67.3 [19.72] 46.9 [13.75] 3.8	66.1 [19.37] 44.7 [13.10] 3.8	65.9 [19.31] 53.3 [15.62] 3.8	64.7 [18.96] 50.9 [14.92] 3.8	63.5 [18.61] 48.5 [14.21] 3.7
	80 [26.7]	Total BTUH [kW] Sens BTUH [kW] Power	71.3 [20.90] 40.7 [11.93] 4.2	70.0 [20.51] 38.9 [11.40] 4.1	68.7 [20.13] 37.1 [10.87] 4.1	66.2 [19.40] 47.7 [13.98] 4.1	65.0 [19.05] 45.5 [13.33] 4.0	63.9 [18.73] 43.4 [12.72] 4.0	63.6 [18.64] 51.8 [15.18] 4.0	62.4 [18.29] 49.5 [14.51] 4.0	61.3 [17.97] 47.2 [13.83] 3.9
	85 [29.4]	Total BTUH [kW] Sens BTUH [kW] Power	69.3 [20.31] 39.5 [11.58] 4.4	68.1 [19.96] 37.8 [11.08] 4.4	66.8 [19.58] 36.0 [10.55] 4.3	64.2 [18.82] 46.5 [13.63] 4.3	63.1 [18.49] 44.4 [13.01] 4.3	61.9 [18.14] 42.3 [12.40] 4.2	61.6 [18.05] 50.6 [14.83] 4.2	60.5 [17.73] 48.3 [14.16] 4.2	59.4 [17.41] 46.1 [13.51] 4.1
	90 [32.2]	Total BTUH [kW] Sens BTUH [kW] Power	67.5 [19.78] 38.5 [11.28] 4.6	66.3 [19.43] 36.8 [10.79] 4.6	65.1 [19.08] 35.1 [10.29] 4.5	62.5 [18.32] 45.5 [13.33] 4.5	61.3 [17.97] 43.5 [12.75] 4.5	60.2 [17.64] 41.4 [12.13] 4.4	59.8 [17.53] 49.6 [14.54] 4.4	58.7 [17.20] 47.4 [13.89] 4.4	57.6 [16.88] 45.2 [13.25] 4.4
	95 [35]	Total BTUH [kW] Sens BTUH [kW] Power	65.8 [19.28] 37.7 [11.05] 4.8	64.7 [18.96] 36.0 [10.55] 4.8	63.5 [18.61] 34.3 [10.05] 4.7	60.8 [17.82] 44.6 [13.07] 4.7	59.7 [17.50] 42.6 [12.48] 4.7	58.6 [17.17] 40.7 [11.93] 4.6	58.1 [17.03] 48.8 [14.30] 4.6	57.1 [16.73] 46.6 [13.66] 4.6	56.0 [16.41] 44.4 [13.01] 4.6
	100 [37.8]	Total BTUH [kW] Sens BTUH [kW] Power	64.2 [18.82] 36.9 [10.81] 5.0	63.0 [18.46] 35.3 [10.35] 5.0	61.9 [18.14] 33.6 [9.85] 4.9	59.1 [17.32] 43.9 [12.87] 4.9	58.0 [17.00] 41.9 [12.28] 4.9	57.0 [16.71] 39.9 [11.69] 4.8	56.4 [16.53] 48.0 [14.07] 4.9	55.4 [16.24] 45.8 [13.42] 4.8	54.4 [15.94] 43.7 [12.81] 4.8
	105 [40.6]	Total BTUH [kW] Sens BTUH [kW] Power	62.4 [18.29] 36.1 [10.58] 5.2	61.3 [17.97] 34.5 [10.11] 5.2	60.1 [17.61] 32.9 [9.64] 5.2	57.3 [16.79] 43.1 [12.63] 5.1	56.3 [16.50] 41.2 [12.07] 5.1	55.3 [16.21] 39.2 [11.49] 5.1	54.6 [16.00] 47.2 [13.83] 5.1	53.7 [15.74] 45.1 [13.22] 5.0	52.7 [15.44] 43.0 [12.60] 5.0
	110 [43.3]	Total BTUH [kW] Sens BTUH [kW] Power	60.4 [17.70] 35.3 [10.35] 5.5	59.3 [17.38] 33.7 [9.88] 5.4	58.2 [17.06] 32.2 [9.44] 5.4	55.3 [16.21] 42.3 [12.40] 5.4	54.3 [15.91] 40.4 [11.84] 5.3	53.4 [15.65] 38.5 [11.28] 5.3	52.7 [15.44] 46.4 [13.60] 5.3	51.7 [15.15] 44.3 [12.98] 5.2	50.8 [14.89] 42.2 [12.37] 5.2
	115 [46.1]	Total BTUH [kW] Sens BTUH [kW] Power	58.1 [17.03] 34.4 [10.08] 5.7	57.1 [16.73] 32.8 [9.61] 5.6	56.0 [16.41] 31.3 [9.17] 5.6	53.0 [15.53] 41.3 [12.10] 5.6	52.1 [15.27] 39.5 [11.58] 5.5	51.1 [14.98] 37.6 [11.02] 5.5	50.4 [14.77] 45.4 [13.31] 5.5	49.5 [14.51] 43.4 [12.72] 5.4	48.6 [14.24] 41.4 [12.13] 5.4

DR —Depression ratio  
dbE—Entering air dry bulb  
wbE—Entering air wet bulb

Total —Total capacity x 1000 BTUH  
Sens —Sensible capacity x 1000 BTUH  
Power —KW input

NOTES: ① When the entering air dry bulb is other than 80°F [27°C], adjust the sensible capacity from the table by adding [1.10 x CFM x (1 - DR) x (dbE - 80)].

[ ] Designates Metric Conversions





## GROSS SYSTEMS PERFORMANCE DATA—C024

ENTERING INDOOR AIR @ 80°F [26.7°C] dbE ①											
wbE		71°F [21.7°C]			67°F [19.4°C]			63°F [17.2°C]			
CFM [L/s]		880 [415]	800 [378]	720 [340]	880 [415]	800 [378]	720 [340]	880 [415]	800 [378]	720 [340]	
DR ①		.15	.16	.19	.15	.16	.19	.15	.16	.19	
OUTDOOR DRY BULB TEMPERATURE °F [°C]	75 [23.9]	Total BTUH [kW] Sens BTUH [kW] Power	29.9 [8.76] 18.0 [5.28] 1.5	29.4 [8.62] 16.7 [4.89] 1.5	28.9 [8.47] 15.4 [4.51] 1.5	28.1 [8.24] 21.2 [6.21] 1.5	27.6 [8.09] 19.8 [5.80] 1.5	27.1 [7.94] 18.4 [5.39] 1.5	27.0 [7.91] 24.2 [7.09] 1.5	26.5 [7.77] 22.6 [6.62] 1.5	26.0 [7.62] 21.1 [6.18] 1.4
	80 [26.7]	Total BTUH [kW] Sens BTUH [kW] Power	29.1 [8.53] 17.5 [5.13] 1.6	28.6 [8.38] 16.2 [4.75] 1.6	28.0 [8.21] 14.9 [4.37] 1.6	27.3 [8.00] 20.7 [6.07] 1.6	26.8 [7.85] 19.3 [5.66] 1.6	26.3 [7.71] 17.9 [5.25] 1.6	26.1 [7.65] 23.6 [6.92] 1.5	25.6 [7.50] 22.0 [6.45] 1.5	25.2 [7.39] 20.6 [6.04] 1.5
	85 [29.4]	Total BTUH [kW] Sens BTUH [kW] Power	28.2 [8.26] 16.9 [4.95] 1.7	27.7 [8.12] 15.6 [4.57] 1.7	27.2 [7.97] 14.4 [4.22] 1.7	26.4 [7.74] 20.1 [5.89] 1.7	25.9 [7.59] 18.7 [5.48] 1.6	25.5 [7.47] 17.4 [5.10] 1.6	25.2 [7.39] 22.9 [6.71] 1.6	24.8 [7.27] 21.5 [6.30] 1.6	24.3 [7.12] 20.0 [5.86] 1.6
	90 [32.2]	Total BTUH [kW] Sens BTUH [kW] Power	27.3 [8.00] 16.3 [4.78] 1.8	26.8 [7.85] 15.1 [4.43] 1.8	26.3 [7.71] 13.9 [4.07] 1.7	25.5 [7.47] 19.6 [5.74] 1.7	25.1 [7.36] 18.3 [5.36] 1.7	24.6 [7.21] 17.0 [4.98] 1.7	24.3 [7.12] 22.4 [6.56] 1.7	23.9 [7.00] 21.0 [6.15] 1.7	23.5 [6.89] 19.6 [5.74] 1.7
	95 [35]	Total BTUH [kW] Sens BTUH [kW] Power	26.4 [7.74] 15.8 [4.63] 1.9	25.9 [7.59] 14.6 [4.28] 1.8	25.5 [7.47] 13.5 [3.96] 1.8	24.6 [7.21] 19.0 [5.57] 1.8	24.2 [7.09] 17.8 [5.22] 1.8	23.7 [6.95] 16.5 [4.84] 1.8	23.4 [6.86] 21.9 [6.42] 1.8	23.0 [6.74] 20.5 [6.01] 1.8	22.6 [6.62] 19.2 [5.63] 1.8
	100 [37.8]	Total BTUH [kW] Sens BTUH [kW] Power	25.5 [7.47] 15.3 [4.48] 2.0	25.0 [7.33] 14.1 [4.13] 1.9	24.6 [7.21] 13.1 [3.84] 1.9	23.7 [6.95] 18.6 [5.45] 1.9	23.3 [6.83] 17.4 [5.10] 1.9	22.9 [6.71] 16.2 [4.75] 1.9	22.5 [6.59] 21.5 [6.30] 1.9	22.1 [6.48] 20.1 [5.89] 1.9	21.7 [6.36] 18.8 [5.51] 1.8
	105 [40.6]	Total BTUH [kW] Sens BTUH [kW] Power	24.6 [7.21] 14.9 [4.37] 2.0	24.2 [7.09] 13.8 [4.04] 2.0	23.7 [6.95] 12.7 [3.72] 2.0	22.8 [6.68] 18.2 [5.33] 2.0	22.4 [6.56] 17.0 [4.98] 2.0	22.0 [6.45] 15.8 [4.63] 2.0	21.6 [6.33] 21.0 [6.15] 2.0	21.2 [6.21] 19.7 [5.77] 2.0	20.8 [6.10] 18.4 [5.39] 1.9
	110 [43.3]	Total BTUH [kW] Sens BTUH [kW] Power	23.7 [6.95] 14.5 [4.25] 2.1	23.2 [6.80] 13.4 [3.93] 2.1	22.8 [6.68] 12.4 [3.63] 2.1	21.9 [6.42] 17.8 [5.22] 2.1	21.5 [6.30] 16.6 [4.86] 2.1	21.1 [6.18] 15.4 [4.51] 2.1	20.7 [6.07] 20.6 [6.04] 2.1	20.3 [5.95] 19.3 [5.66] 2.1	19.9 [5.83] 18.0 [5.28] 2.0
	115 [46.1]	Total BTUH [kW] Sens BTUH [kW] Power	22.7 [6.65] 14.1 [4.13] 2.3	22.3 [6.54] 13.1 [3.84] 2.2	21.9 [6.42] 12.1 [3.55] 2.2	20.9 [6.13] 17.4 [5.10] 2.2	20.6 [6.04] 16.3 [4.78] 2.2	20.2 [5.92] 15.2 [4.45] 2.2	19.7 [5.77] 19.7 [5.77] 2.2	19.4 [5.69] 19.1 [5.60] 2.2	19.0 [5.57] 17.8 [5.22] 2.1

## GROSS SYSTEMS PERFORMANCE DATA—C036

ENTERING INDOOR AIR @ 80°F [26.7°C] dbE ①											
wbE		71°F [21.7°C]			67°F [19.4°C]			63°F [17.2°C]			
CFM [L/s]		1320 [623]	1200 [566]	1080 [510]	1320 [623]	1200 [566]	1080 [510]	1320 [623]	1200 [566]	1080 [510]	
DR ①		.07	.09	.11	.07	.09	.11	.07	.09	.11	
OUTDOOR DRY BULB TEMPERATURE °F [°C]	75 [23.9]	Total BTUH [kW] Sens BTUH [kW] Power	45.1 [13.22] 28.8 [8.44] 2.3	44.3 [12.98] 26.7 [7.83] 2.3	43.5 [12.75] 24.7 [7.24] 2.2	42.4 [12.43] 33.0 [9.67] 2.2	41.6 [12.19] 30.7 [9.00] 2.2	40.9 [11.99] 28.6 [8.38] 2.2	39.8 [11.66] 35.3 [10.35] 2.1	39.1 [11.46] 33.0 [9.67] 2.1	38.4 [11.25] 30.8 [9.03] 2.1
	80 [26.7]	Total BTUH [kW] Sens BTUH [kW] Power	44.0 [12.90] 28.1 [8.24] 2.4	43.2 [12.66] 26.0 [7.62] 2.4	42.4 [12.43] 24.0 [7.03] 2.4	41.3 [12.10] 32.2 [9.44] 2.3	40.5 [11.87] 30.0 [8.79] 2.3	39.8 [11.66] 27.9 [8.18] 2.3	38.7 [11.34] 34.6 [10.14] 2.2	38.0 [11.14] 32.4 [9.50] 2.2	37.3 [10.93] 30.2 [8.85] 2.2
	85 [29.4]	Total BTUH [kW] Sens BTUH [kW] Power	42.8 [12.54] 27.4 [8.03] 2.5	42.1 [12.34] 25.5 [7.47] 2.5	41.3 [12.10] 23.5 [6.89] 2.5	40.1 [11.75] 31.6 [9.26] 2.4	39.4 [11.55] 29.5 [8.65] 2.4	38.7 [11.34] 27.5 [8.06] 2.4	37.5 [10.99] 33.9 [9.94] 2.4	36.8 [10.79] 31.7 [9.29] 2.4	36.1 [10.58] 29.6 [8.67] 2.3
	90 [32.2]	Total BTUH [kW] Sens BTUH [kW] Power	41.6 [12.19] 26.7 [7.83] 2.7	40.8 [11.96] 24.7 [7.24] 2.6	40.1 [11.75] 22.9 [6.71] 2.6	38.8 [11.37] 30.8 [9.03] 2.6	38.1 [11.17] 28.7 [8.41] 2.6	37.4 [10.96] 26.7 [7.83] 2.5	36.2 [10.61] 33.2 [9.73] 2.5	35.6 [10.43] 31.1 [9.11] 2.5	34.9 [10.23] 29.0 [8.50] 2.5
	95 [35]	Total BTUH [kW] Sens BTUH [kW] Power	40.2 [11.78] 26.0 [7.62] 2.8	39.5 [11.58] 24.1 [7.06] 2.8	38.8 [11.37] 22.3 [6.54] 2.8	37.5 [10.99] 30.1 [8.82] 2.7	36.8 [10.79] 28.1 [8.24] 2.7	36.1 [10.58] 26.1 [7.65] 2.7	34.9 [10.23] 32.4 [9.50] 2.7	34.2 [10.02] 30.3 [8.88] 2.6	33.6 [9.85] 28.3 [8.29] 2.6
	100 [37.8]	Total BTUH [kW] Sens BTUH [kW] Power	38.8 [11.37] 25.2 [7.39] 3.0	38.1 [11.17] 23.4 [6.86] 2.9	37.4 [10.96] 21.6 [6.33] 2.9	36.1 [10.58] 29.4 [8.62] 2.9	35.4 [10.37] 27.4 [8.03] 2.9	34.8 [10.20] 25.5 [7.47] 2.8	33.5 [9.82] 31.7 [9.29] 2.8	32.9 [9.64] 29.7 [8.70] 2.8	32.3 [9.47] 27.7 [8.12] 2.8
	105 [40.6]	Total BTUH [kW] Sens BTUH [kW] Power	37.3 [10.93] 24.5 [7.18] 3.1	36.6 [10.73] 22.7 [6.65] 3.1	36.0 [10.55] 21.1 [6.18] 3.1	34.6 [10.14] 28.7 [8.41] 3.0	34.0 [9.96] 26.8 [7.85] 3.0	33.3 [9.76] 24.9 [7.30] 3.0	32.0 [9.38] 31.0 [9.09] 3.0	31.4 [9.20] 29.0 [8.50] 2.9	30.8 [9.03] 27.1 [7.94] 2.9
	110 [43.3]	Total BTUH [kW] Sens BTUH [kW] Power	35.8 [10.49] 23.8 [6.98] 3.3	35.1 [10.29] 22.0 [6.45] 3.3	34.5 [10.11] 20.4 [5.98] 3.2	33.0 [9.67] 27.8 [8.15] 3.2	32.4 [9.50] 26.0 [7.62] 3.2	31.8 [9.32] 24.2 [7.09] 3.2	30.4 [8.91] 30.1 [8.82] 3.1	29.9 [8.76] 28.3 [8.29] 3.1	29.3 [8.59] 26.4 [7.74] 3.1
	115 [46.1]	Total BTUH [kW] Sens BTUH [kW] Power	34.1 [9.99] 22.9 [6.71] 3.5	33.5 [9.82] 21.3 [6.24] 3.4	32.9 [9.64] 19.7 [5.77] 3.4	31.4 [9.20] 27.1 [7.94] 3.4	30.8 [9.03] 25.3 [7.41] 3.4	30.3 [8.88] 23.6 [6.92] 3.3	28.8 [8.44] 28.8 [8.44] 3.3	28.3 [8.29] 27.6 [8.09] 3.3	27.8 [8.15] 25.8 [7.56] 3.3

DR —Depression ratio  
dbE —Entering air dry bulb  
wbE —Entering air wet bulb

Total —Total capacity x 1000 BTUH  
Sens —Sensible capacity x 1000 BTUH  
Power —KW input

NOTES: ① When the entering air dry bulb is other than 80°F [27°C], adjust the sensible capacity from the table by adding [1.10 x CFM x (1 - DR) x (dbE - 80)].

[ ] Designates Metric Conversions







## GROSS SYSTEMS PERFORMANCE DATA—C048

		ENTERING INDOOR AIR @ 80°F [26.7°C] dbE ①									
wbE		71°F [21.7°C]			67°F [19.4°C]			63°F [17.2°C]			
CFM [L/s]		1760 [831]	1600 [755]	1440 [680]	1760 [831]	1600 [755]	1440 [680]	1760 [831]	1600 [755]	1440 [680]	
DR ①		.12	.14	.16	.12	.14	.16	.12	.14	.16	
OUTDOOR DRY BULB TEMPERATURE °F [°C]	75 [23.9]	Total BTUH [kW] Sens BTUH [kW] Power	59.8 [17.53] 36.4 [10.67] 3.1	58.7 [17.20] 33.7 [9.88] 3.1	57.6 [16.88] 31.1 [9.11] 3.0	55.8 [16.35] 42.0 [12.31] 3.0	54.8 [16.06] 39.1 [11.46] 3.0	53.8 [15.77] 36.3 [10.64] 2.9	52.4 [15.36] 46.3 [13.57] 2.9	51.4 [15.06] 43.2 [12.66] 2.9	50.5 [14.80] 40.3 [11.81] 2.9
	80 [26.7]	Total BTUH [kW] Sens BTUH [kW] Power	58.3 [17.09] 35.7 [10.46] 3.2	57.3 [16.79] 33.1 [9.70] 3.2	56.2 [16.47] 30.5 [8.94] 3.2	54.3 [15.91] 41.2 [12.07] 3.1	53.3 [15.62] 38.4 [11.25] 3.1	52.4 [15.36] 35.7 [10.46] 3.1	50.9 [14.92] 45.4 [13.31] 3.1	50.0 [14.65] 42.5 [12.46] 3.0	49.1 [14.39] 39.7 [11.63] 3.0
	85 [29.4]	Total BTUH [kW] Sens BTUH [kW] Power	56.8 [16.65] 34.9 [10.23] 3.4	55.8 [16.35] 32.3 [9.47] 3.4	54.7 [16.03] 29.7 [8.70] 3.3	52.8 [15.47] 40.4 [11.84] 3.3	51.8 [15.18] 37.6 [11.02] 3.3	50.9 [14.92] 35.0 [10.26] 3.2	49.4 [14.48] 44.7 [13.10] 3.2	48.5 [14.21] 41.8 [12.25] 3.2	47.6 [13.95] 39.0 [11.43] 3.2
	90 [32.2]	Total BTUH [kW] Sens BTUH [kW] Power	55.2 [16.18] 34.0 [9.96] 3.6	54.2 [15.88] 31.5 [9.23] 3.5	53.2 [15.59] 29.1 [8.53] 3.5	51.2 [15.01] 39.6 [11.61] 3.5	50.3 [14.74] 36.9 [10.81] 3.4	49.4 [14.48] 34.3 [10.05] 3.4	47.8 [14.01] 43.9 [12.87] 3.4	46.9 [13.75] 41.0 [12.02] 3.3	46.1 [13.51] 38.3 [11.22] 3.3
	95 [35]	Total BTUH [kW] Sens BTUH [kW] Power	53.5 [15.68] 33.2 [9.73] 3.7	52.6 [15.42] 30.8 [9.03] 3.7	51.6 [15.12] 28.4 [8.32] 3.7	49.6 [14.54] 38.8 [11.37] 3.6	48.7 [14.27] 36.2 [10.61] 3.6	47.8 [14.01] 33.7 [9.88] 3.6	46.1 [13.51] 42.9 [12.57] 3.6	45.3 [13.28] 40.2 [11.78] 3.5	44.5 [13.04] 37.6 [11.02] 3.5
	100 [37.8]	Total BTUH [kW] Sens BTUH [kW] Power	51.8 [15.18] 32.2 [9.44] 3.9	50.9 [14.92] 29.9 [8.76] 3.9	50.0 [14.65] 27.6 [8.09] 3.8	47.8 [14.01] 37.9 [11.11] 3.8	47.0 [13.77] 35.4 [10.37] 3.8	46.1 [13.51] 32.9 [9.64] 3.8	44.4 [13.01] 42.1 [12.34] 3.7	43.6 [12.78] 39.4 [11.55] 3.7	42.9 [12.57] 36.9 [10.81] 3.7
	105 [40.6]	Total BTUH [kW] Sens BTUH [kW] Power	50.1 [14.68] 31.4 [9.20] 4.1	49.2 [14.42] 29.1 [8.53] 4.1	48.3 [14.16] 26.9 [7.88] 4.0	46.1 [13.51] 37.1 [10.87] 4.0	45.3 [13.28] 34.6 [10.14] 4.0	44.4 [13.01] 32.1 [9.41] 3.9	42.7 [12.51] 41.2 [12.07] 3.9	41.9 [12.28] 38.6 [11.31] 3.9	41.2 [12.07] 36.1 [10.58] 3.9
	110 [43.3]	Total BTUH [kW] Sens BTUH [kW] Power	48.2 [14.13] 30.5 [8.94] 4.3	47.4 [13.89] 28.3 [8.29] 4.3	46.5 [13.63] 26.1 [7.65] 4.2	44.3 [12.98] 36.1 [10.58] 4.2	43.5 [12.75] 33.7 [9.88] 4.2	42.7 [12.51] 31.4 [9.20] 4.1	40.9 [11.99] 40.4 [11.84] 4.1	40.1 [11.75] 37.8 [11.08] 4.1	39.4 [11.55] 35.4 [10.37] 4.1
	115 [46.1]	Total BTUH [kW] Sens BTUH [kW] Power	46.4 [13.60] 29.5 [8.65] 4.5	45.5 [13.33] 27.3 [8.00] 4.5	44.7 [13.10] 25.3 [7.41] 4.4	42.4 [12.43] 35.2 [10.32] 4.4	41.6 [12.19] 32.8 [9.61] 4.4	40.9 [11.99] 30.6 [8.97] 4.4	39.0 [11.43] 39.0 [11.43] 4.3	38.3 [11.22] 36.9 [10.81] 4.3	37.6 [11.02] 34.5 [10.11] 4.3

## GROSS SYSTEMS PERFORMANCE DATA—C060

		ENTERING INDOOR AIR @ 80°F [26.7°C] dbE ①									
wbE		71°F [21.7°C]			67°F [19.4°C]			63°F [17.2°C]			
CFM [L/s]		2040 [963]	1850 [873]	1660 [783]	2040 [963]	1850 [873]	1660 [783]	2040 [963]	1850 [873]	1660 [783]	
DR ①		.07	.09	.12	.07	.09	.12	.07	.09	.12	
OUTDOOR DRY BULB TEMPERATURE °F [°C]	75 [23.9]	Total BTUH [kW] Sens BTUH [kW] Power	73.1 [21.42] 44.3 [12.98] 4.1	71.8 [21.04] 41.0 [12.02] 4.0	70.5 [20.66] 37.8 [11.08] 4.0	68.9 [20.19] 51.6 [15.12] 4.0	67.6 [19.81] 47.9 [14.04] 3.9	66.4 [19.46] 44.5 [13.04] 3.9	65.1 [19.08] 56.8 [16.65] 3.8	63.9 [18.73] 53.0 [15.53] 3.8	62.7 [18.38] 49.3 [14.45] 3.8
	80 [26.7]	Total BTUH [kW] Sens BTUH [kW] Power	71.5 [20.95] 43.7 [12.81] 4.3	70.2 [20.57] 40.4 [11.84] 4.2	68.9 [20.19] 37.2 [10.90] 4.2	67.3 [19.72] 50.9 [14.92] 4.1	66.1 [19.37] 47.4 [13.89] 4.1	64.8 [18.99] 43.9 [12.87] 4.1	63.5 [18.61] 56.2 [16.47] 4.0	62.3 [18.26] 52.4 [15.36] 4.0	61.1 [17.91] 48.7 [14.27] 3.9
	85 [29.4]	Total BTUH [kW] Sens BTUH [kW] Power	69.8 [20.46] 43.0 [12.60] 4.4	68.5 [20.08] 39.7 [11.63] 4.4	67.2 [19.69] 36.6 [10.73] 4.4	65.5 [19.20] 50.1 [14.68] 4.3	64.3 [18.84] 46.6 [13.66] 4.3	63.1 [18.49] 43.2 [12.66] 4.2	61.7 [18.08] 55.3 [16.21] 4.2	60.6 [17.76] 51.7 [15.15] 4.2	59.4 [17.41] 48.1 [14.10] 4.1
	90 [32.2]	Total BTUH [kW] Sens BTUH [kW] Power	67.9 [19.90] 42.0 [12.31] 4.6	66.6 [19.52] 38.8 [11.37] 4.6	65.4 [19.17] 35.8 [10.49] 4.6	63.6 [18.64] 49.1 [14.39] 4.5	62.5 [18.32] 45.8 [13.42] 4.5	61.3 [17.97] 42.5 [12.46] 4.4	59.8 [17.53] 54.4 [15.94] 4.4	58.7 [17.20] 50.8 [14.89] 4.4	57.6 [16.88] 47.3 [13.86] 4.3
	95 [35]	Total BTUH [kW] Sens BTUH [kW] Power	65.8 [19.28] 40.9 [11.99] 4.9	64.6 [18.93] 37.8 [11.08] 4.8	63.4 [18.58] 34.8 [10.20] 4.8	61.6 [18.05] 48.1 [14.10] 4.7	60.4 [17.70] 44.7 [13.10] 4.7	59.3 [17.38] 41.5 [12.16] 4.6	57.7 [16.91] 53.2 [15.59] 4.6	56.7 [16.62] 49.8 [14.59] 4.6	55.6 [16.29] 46.4 [13.60] 4.5
	100 [37.8]	Total BTUH [kW] Sens BTUH [kW] Power	63.6 [18.64] 39.6 [11.61] 5.1	62.4 [18.29] 36.6 [10.73] 5.0	61.3 [17.97] 33.8 [9.91] 5.0	59.4 [17.41] 46.8 [13.72] 5.0	58.3 [17.09] 43.6 [12.78] 4.9	57.2 [16.76] 40.5 [11.87] 4.9	55.5 [16.27] 52.0 [15.24] 4.8	54.5 [15.97] 48.6 [14.24] 4.8	53.5 [15.68] 45.3 [13.28] 4.7
	105 [40.6]	Total BTUH [kW] Sens BTUH [kW] Power	61.2 [17.94] 38.0 [11.14] 5.3	60.1 [17.61] 35.2 [10.32] 5.3	59.0 [17.29] 32.5 [9.52] 5.2	57.0 [16.71] 45.3 [13.28] 5.2	55.9 [16.38] 42.1 [12.34] 5.1	54.9 [16.09] 39.1 [11.46] 5.1	53.1 [15.56] 50.5 [14.80] 5.1	52.2 [15.30] 47.3 [13.86] 5.0	51.2 [15.01] 44.1 [12.92] 5.0
	110 [43.3]	Total BTUH [kW] Sens BTUH [kW] Power	58.7 [17.20] 36.5 [10.70] 5.6	57.6 [16.88] 33.7 [9.88] 5.5	56.5 [16.56] 31.0 [9.09] 5.5	54.4 [15.94] 43.6 [12.78] 5.4	53.4 [15.65] 40.6 [11.90] 5.4	52.4 [15.36] 37.7 [11.05] 5.3	50.6 [14.83] 48.8 [14.30] 5.3	49.7 [14.57] 45.7 [13.39] 5.3	48.7 [14.27] 42.6 [12.48] 5.2
	115 [46.1]	Total BTUH [kW] Sens BTUH [kW] Power	56.0 [16.41] 34.7 [10.17] 5.8	55.0 [16.12] 32.1 [9.41] 5.8	53.9 [15.80] 29.5 [8.65] 5.7	51.8 [15.18] 41.8 [12.25] 5.7	50.8 [14.89] 38.9 [11.40] 5.6	49.9 [14.62] 36.2 [10.61] 5.6	47.9 [14.04] 47.1 [13.80] 5.6	47.0 [13.77] 44.0 [12.90] 5.5	46.2 [13.54] 41.1 [12.05] 5.5

DR —Depression ratio  
dbE—Entering air dry bulb  
wbE—Entering air wet bulb

Total —Total capacity x 1000 BTUH  
Sens —Sensible capacity x 1000 BTUH  
Power —KW input

NOTES: ① When the entering air dry bulb is other than 80°F [27°C], adjust the sensible capacity from the table by adding [1.10 x CFM x (1 - DR) x (dbE - 80)].

[ ] Designates Metric Conversions





# INDOOR AIRFLOW PERFORMANCE — 208 VOLTS

Nominal Cooling Capacity Tons [kW]	Motor Speed from Factory		Heating Input BTU/HR [kW]	Blower Size/ Motor HP [W] & # of Speeds	Motor Speed	External Static Pressure—Inches W.C. [kPa] Side Discharge—Wet Coil							
	Cool	Heat				0.1 [0.02]	0.2 [0.05]	0.3 [0.07]	0.4 [0.10]	0.5 [0.12]	0.6 [0.15]	0.7 [0.17]	
2.0 [7.03]	High	Low	40,000 [11.72]	9 x 7 Blower 1/4 HP [186] 2 Speed (PSC Motor)	Low	CFM [l/s]	675 [319]	657 [310]	634 [299]	602 [284]	560 [264]	505 [238]	435 [205]
		Watts	221			214	203	191	171	193	149		
	High	High	60,000 [17.58] 80,000 [23.45]		CFM [l/s]	898 [424]	861 [406]	822 [388]	777 [367]	721 [340]	651 [307]	562 [265]	1090
2.5 [8.79]	Low	Low	All Inputs 40,000 [11.72] 60,000 [17.58] 80,000 [23.45] 100,000 [29.31]	10 x 9 Blower 1/2 HP [372] 3 Speed (PSC Motor)	Low	CFM [l/s]	1076 [508]	1059 [500]	1032 [490]	996 [470]	950 [448]	896 [423]	832 [393]
		Watts				730	775	820	865	940	905	940	975
	Med.	Low			CFM [l/s]	1222 [577]	1197 [565]	1179 [556]	1162 [548]	1137 [537]	1097 [518]	1033 [488]	995
3.0 [10.55]	Med.	Low	All Inputs 40,000 [11.72] 60,000 [17.58] 80,000 [23.45] 100,000 [29.31]	10 x 9 Blower 1/2 HP [372] 3 Speed (PSC Motor)	Med.	CFM [l/s]	1222 [577]	1197 [565]	1179 [556]	1162 [548]	1137 [537]	1097 [518]	1033 [488]
		Watts				423	415	407	397	386	370	351	
	High	High			CFM [l/s]	1514 [715]	1461 [670]	1415 [668]	1370 [647]	1322 [624]	1266 [597]	1197 [565]	1045
3.5 [12.31]	High	Low	All Inputs 40,000 [11.72] 60,000 [17.58] 80,000 [23.45] 100,000 [29.31]	10 x 9 Blower 1/2 HP [372] 3 Speed (PSC Motor)	High	CFM [l/s]	895	930	965	985	1005	1025	1045
		Watts				538	514	493	473	454	434	412	
	High	High			CFM [l/s]	1204 [568]	1202 [567]	1191 [562]	1171 [553]	1143 [539]	1107 [522]	1065 [503]	1016
4.0 [14.07]	High	Low	All Inputs 40,000 [11.72] 60,000 [17.58] 80,000 [23.45] 100,000 [29.31]	10 x 9 Blower 3/4 HP [559] 3 Speed (PSC Motor)	Low	CFM [l/s]	734	810	886	923	959	968	1016
		Watts				476	468	450	427	403	380	363	
	High	High			CFM [l/s]	1674 [790]	1620 [765]	1566 [739]	1511 [713]	1451 [685]	1384 [653]	1305 [616]	1100
5.0 [17.59]	High	Low	All Inputs 40,000 [11.72] 60,000 [17.58] 80,000 [23.45] 100,000 [29.31]	12 x 9 Blower 1 HP [746] 3 Speed (X13 Motor)	Med.	CFM [l/s]	997	1019	1040	1058	1076	1088	1100
		Watts				625	596	567	539	512	484	455	
	High	High			CFM [l/s]	1843 [870]	1763 [832]	1693 [799]	1627 [768]	1560 [736]	1485 [701]	1398 [660]	1134
5.0 [17.59]	High	Low	All Inputs 40,000 [11.72] 60,000 [17.58] 80,000 [23.45] 100,000 [29.31]	12 x 9 Blower 1 HP [746] 3 Speed (X13 Motor)	High	CFM [l/s]	1085	1094	1102	1110	1118	1126	1134
		Watts				699	663	632	604	576	548	517	
	High	High			CFM [l/s]	1418 [669]	1386 [654]	1352 [638]	1307 [617]	1270 [599]	1221 [576]	1180 [557]	955
5.0 [17.59]	High	Low	All Inputs 40,000 [11.72] 60,000 [17.58] 80,000 [23.45] 100,000 [29.31]	12 x 9 Blower 1 HP [746] 3 Speed (X13 Motor)	Low	CFM [l/s]	774	794	829	860	892	922	955
		Watts				267	273	287	295	308	316	328	
	High	High			CFM [l/s]	1858 [877]	1821 [859]	1782 [841]	1752 [827]	1714 [809]	1678 [792]	1640 [774]	1089
5.0 [17.59]	High	Low	All Inputs 40,000 [11.72] 60,000 [17.58] 80,000 [23.45] 100,000 [29.31]	12 x 9 Blower 1 HP [746] 3 Speed (X13 Motor)	Low	CFM [l/s]	944	968	994	1019	1041	1072	1089
		Watts				541	555	564	578	586	598	611	
	High	High			CFM [l/s]	2017 [952]	1985 [937]	1949 [920]	1909 [901]	1879 [887]	1843 [870]	1792 [846]	1147
5.0 [17.59]	High	Low	All Inputs 40,000 [11.72] 60,000 [17.58] 80,000 [23.45] 100,000 [29.31]	12 x 9 Blower 1 HP [746] 3 Speed (X13 Motor)	Low	CFM [l/s]	1018	1033	1070	1076	1112	1124	1147
		Watts				690	701	711	723	735	741	742	
	High	High			CFM [l/s]	1018	1033	1070	1076	1112	1124	1147	1147

NOTES: 5 ton High cooling speed must be changed to low cool to achieve AHRI performance.

[ J ] Designates Metric Conversions



## INDOOR AIRFLOW PERFORMANCE—208 VOLTS (continued)

DOWN DISCHARGE PRESSURE DROP (ADD TO EXTERNAL STATIC PRESSURE)								
CFM [L/s]	600 [283]	800 [378]	1000 [472]	1200 [556]	1440 [661]	1600 [755]	1800 [850]	2000 [944]
Pressure Drop—Includes W.C. [kPa]	.00	.02 [.005]	.05 [.012]	.07 [.017]	.1 [.025]	.12 [.030]	.15 [.037]	.17 [.042]

[ ] Designates Metric Conversions



# INDOOR AIRFLOW PERFORMANCE — 230/460 VOLTS

Nominal Cooling Capacity Tons [kW]	Motor Speed from Factory		Heating Input BTU/HR [kW]	Blower Size/ Motor HP [W] & # of Speeds	Motor Speed	External Static Pressure—Inches W.C. [kPa] Side Discharge—Wet Coil							
	Cool	Heat				0.1 [0.2]	0.2 [0.05]	0.3 [0.07]	0.4 [0.10]	0.5 [0.12]	0.6 [0.15]	0.7 [0.17]	
2.0 [7.03]	High	Low	40,000 [11.72]	9 x 7 Blower 1/4 HP [186] 2 Speed (PSC Motor)	Low	CFM [l/s]	771 [364]	751 [354]	725 [342]	691 [326]	654 [304]	584 [276]	546 [258]
		High	60,000 [17.58]			CFM [l/s]	946 [446]	922 [435]	882 [416]	830 [392]	769 [363]	701 [331]	630 [298]
2.5 [8.79]	Low	Low	All Inputs	10 x 9 Blower 1/2 HP [372] 3 Speed (PSC Motor)	Low	CFM [l/s]	1206 [569]	1182 [558]	1157 [546]	1128 [532]	1091 [515]	1044 [493]	983 [464]
						Watts	760	815	870	910	950	975	353
3.0 [10.55]	Med.	Low	All Inputs	10 x 9 Blower 1/2 HP [372] 3 Speed (PSC Motor)	Med.	CFM [l/s]	1411 [666]	1368 [646]	1327 [626]	1285 [606]	1238 [584]	1183 [558]	1116 [527]
						Watts	419	406	394	381	368	353	334
3.5 [12.31]	High	Low	All Inputs	10 x 9 Blower 1/2 HP [372] 3 Speed (PSC Motor)	High	CFM [l/s]	865	900	935	970	1000	1020	1035
						Watts	498	481	464	447	430	411	391
4.0 [14.07]	High	Low	All Inputs	10 x 9 Blower 3/4 HP [559] 3 Speed (PSC Motor)	Low	CFM [l/s]	1041 [774]	1577 [744]	1515 [715]	1455 [687]	1393 [657]	1329 [627]	1262 [596]
						Watts	980	1000	1020	1035	1050	1065	1080
5.0 [17.59]	High	Med. (Tap 1)	All Inputs	10 x 9 Blower 3/4 HP [559] 3 Speed (PSC Motor)	High	CFM [l/s]	1412 [668]	1395 [658]	1371 [647]	1339 [632]	1296 [612]	1242 [586]	1176 [555]
						Watts	859	905	951	981	1011	1034	1057
5.0 [17.59]	High	Med. (Tap 1)	All Inputs	10 x 9 Blower 3/4 HP [559] 3 Speed (PSC Motor)	High	CFM [l/s]	1793 [846]	1731 [817]	1665 [786]	1594 [752]	1519 [717]	1440 [680]	1356 [640]
						Watts	1053	1067	1080	1091	1101	1110	1119
5.0 [17.59]	High	Med. (Tap 1)	All Inputs	10 x 9 Blower 3/4 HP [559] 3 Speed (PSC Motor)	High	CFM [l/s]	1869 [892]	1826 [862]	1753 [827]	1672 [789]	1586 [749]	1499 [707]	1413 [667]
						Watts	1110	1117	1124	1129	1133	1139	1144
5.0 [17.59]	High	Med. (Tap 1)	All Inputs	10 x 9 Blower 3/4 HP [559] 3 Speed (PSC Motor)	High	CFM [l/s]	1423 [672]	1390 [656]	1357 [640]	1311 [619]	1277 [603]	1233 [582]	1192 [563]
						Watts	776	796	830	861	895	927	958
5.0 [17.59]	High	Med. (Tap 1)	All Inputs	10 x 9 Blower 3/4 HP [559] 3 Speed (PSC Motor)	High	CFM [l/s]	1872 [883]	1847 [872]	1808 [853]	1772 [836]	1743 [823]	1703 [804]	1670 [788]
						Watts	956	973	1010	1023	1057	1085	1110
5.0 [17.59]	High	Med. (Tap 1)	All Inputs	10 x 9 Blower 3/4 HP [559] 3 Speed (PSC Motor)	High	CFM [l/s]	2046 [966]	2010 [949]	1980 [934]	1942 [917]	1904 [899]	1867 [881]	1822 [860]
						Watts	1035	1046	1079	1086	1114	1141	1171
						Watts	721	731	743	754	770	777	770

NOTES: 5 ton High cooling speed must be changed to low cool to achieve AHRI performance.

[ ] Designates Metric Conversions



# INDOOR AIRFLOW PERFORMANCE — 208 VOLTS

Nominal Cooling Capacity Tons [kW]	Motor Speed from Factory		Heating Input BTU/HR [kW]	Blower Size/Motor HP [W] & # of Speeds	Motor Speed	External Static Pressure—Inches W.C. [kPa] Side Discharge—Dry Coil								
	Cool	Heat				0.1 [ .02]	0.2 [ .05]	0.3 [ .07]	0.4 [ .10]	0.5 [ .12]	0.6 [ .15]	0.7 [ .17]	0.8 [ .20]	
2.0 [7.03]		High Cool (Tap 3)	All Inputs 40,000 [11.72] 60,000 [17.58] 80,000 [23.45]	9 x 7 Blower 1/3 HP [249 W] 3 Speed (X13 Motor)	Heat Dedicated (Tap 1)	CFM [l/s]	821 [387]	799 [371]	775 [366]	742 [350]	706 [333]	681 [321]	641 [303]	611 [288]
						RPM	878	903	953	996	1032	1075	1119	1176
						Watts	131	134	142	145	147	154	156	161
		High Cool (Tap 3)	All Inputs 40,000 [11.72] 60,000 [17.58] 80,000 [23.45]	9 x 7 Blower 1/3 HP [249 W] 3 Speed (X13 Motor)	Low Cool (Tap 2)	CFM [l/s]	843 [398]	820 [387]	786 [371]	760 [359]	726 [343]	699 [330]	662 [312]	608 [287]
						RPM	896	924	961	1015	1045	1092	1125	1172
						Watts	141	144	147	155	157	163	165	164
	High Cool (Tap 3)	All Inputs 40,000 [11.72] 60,000 [17.58] 80,000 [23.45]	9 x 7 Blower 1/3 HP [249 W] 3 Speed (X13 Motor)	High Cool (Tap 3)	CFM [l/s]	896 [423]	884 [417]	847 [400]	825 [389]	789 [372]	752 [355]	720 [340]	642 [303]	
					RPM	935	966	1008	1047	1084	1118	1154	1176	
					Watts	165	171	175	182	184	186	189	174	
2.5 [8.79]		High Cool (Tap 3)	All Inputs 40,000 [11.72] 60,000 [17.58] 80,000 [23.45] 100,000 [29.31]	10 x 9 Blower 1/2 HP [372 W] 3 Speed (X13 Motor)	Heat Dedicated (Tap 1)	CFM [l/s]	1153 [544]	1126 [531]	1087 [513]	1042 [492]	1002 [473]	966 [456]	903 [426]	856 [404]
						RPM	866	887	930	966	1010	1038	1082	1121
						Watts	207	210	220	226	234	241	246	251
		High Cool (Tap 3)	All Inputs 40,000 [11.72] 60,000 [17.58] 80,000 [23.45] 100,000 [29.31]	10 x 9 Blower 1/2 HP [372 W] 3 Speed (X13 Motor)	Low Cool (Tap 2)	CFM [l/s]	1030 [486]	1010 [477]	967 [456]	922 [435]	868 [410]	825 [389]	763 [360]	709 [335]
						RPM	794	829	868	912	956	1002	1040	1093
						Watts	155	164	169	178	183	192	195	203
	High Cool (Tap 3)	All Inputs 40,000 [11.72] 60,000 [17.58] 80,000 [23.45] 100,000 [29.31]	10 x 9 Blower 1/2 HP [372 W] 3 Speed (X13 Motor)	High Cool (Tap 3)	CFM [l/s]	1242 [586]	1213 [572]	1173 [554]	1132 [534]	1086 [513]	1044 [493]	1003 [473]	952 [449]	
					RPM	912	934	972	1012	1055	1081	1109	1146	
					Watts	249	252	262	271	275	282	283	288	
3.0 [10.55]		High Cool (Tap 3)	All Inputs 40,000 [11.72] 60,000 [17.58] 80,000 [23.45] 100,000 [29.31]	10 x 9 Blower 1/2 HP [372 W] 3 Speed (X13 Motor)	Heat Dedicated (Tap 1)	CFM [l/s]	1153 [544]	1126 [531]	1087 [513]	1042 [492]	1002 [473]	966 [456]	903 [426]	856 [404]
						RPM	866	887	930	966	1010	1038	1082	1121
						Watts	207	210	220	226	234	241	246	251
		High Cool (Tap 3)	All Inputs 40,000 [11.72] 60,000 [17.58] 80,000 [23.45] 100,000 [29.31]	10 x 9 Blower 1/2 HP [372 W] 3 Speed (X13 Motor)	Low Cool (Tap 2)	CFM [l/s]	1242 [586]	1213 [572]	1173 [554]	1132 [534]	1086 [513]	1044 [493]	1003 [473]	952 [449]
						RPM	912	934	972	1012	1055	1081	1109	1146
						Watts	249	252	262	271	275	282	283	288
	High Cool (Tap 3)	All Inputs 40,000 [11.72] 60,000 [17.58] 80,000 [23.45] 100,000 [29.31]	10 x 9 Blower 1/2 HP [372 W] 3 Speed (X13 Motor)	High Cool (Tap 3)	CFM [l/s]	1338 [631]	1309 [618]	1278 [603]	1234 [582]	1182 [558]	1135 [536]	1087 [513]	1007 [475]	
					RPM	963	983	1016	1049	1096	1121	1142	1159	
					Watts	304	307	316	321	328	332	330	315	
3.5 [12.31]		High Cool (Tap 3)	All Inputs 40,000 [11.72] 60,000 [17.58] 80,000 [23.45] 100,000 [29.31]	10 x 9 Blower 1/2 HP [372 W] 3 Speed (X13 Motor)	Heat Dedicated (Tap 1)	CFM [l/s]	1228 [580]	1187 [560]	1140 [538]	1105 [522]	1062 [501]	1008 [476]	959 [453]	911 [430]
						RPM	761	808	841	884	920	960	999	1038
						Watts	150	170	180	183	185	190	195	215
		High Cool (Tap 3)	All Inputs 40,000 [11.72] 60,000 [17.58] 80,000 [23.45] 100,000 [29.31]	10 x 9 Blower 1/2 HP [372 W] 3 Speed (X13 Motor)	Low Cool (Tap 2)	CFM [l/s]	1454 [686]	1433 [676]	1392 [657]	1354 [639]	1322 [624]	1283 [606]	1238 [584]	1192 [563]
						RPM	923	946	976	1015	1044	1085	1126	1146
						Watts	301	309	316	327	337	348	356	363
	High Cool (Tap 3)	All Inputs 40,000 [11.72] 60,000 [17.58] 80,000 [23.45] 100,000 [29.31]	10 x 9 Blower 1/2 HP [372 W] 3 Speed (X13 Motor)	High Cool (Tap 3)	CFM [l/s]	1544 [729]	1531 [723]	1473 [695]	1440 [680]	1398 [660]	1361 [642]	1317 [622]	1263 [596]	
					RPM	958	973	1025	1046	1078	1109	1147	1163	
					Watts	343	350	364	371	382	391	401	396	

NOTES: (1) Do not operate 2 ton models below 700 CFM. (2) Do not operate 2 1/2 or 3 ton models below 875 CFM. (3) Cooling speed must be changed to low cool to achieve AHRI performance (all models).

[ ] Designates Metric Conversions



# INDOOR AIRFLOW PERFORMANCE — 208 VOLTS (continued)

Nominal Cooling Capacity Tons [kW]	Motor Speed from Factory		Heating Input BTU/HR [kW]	Blower Size/ Motor HP [W] & # of Speeds	Motor Speed	External Static Pressure—Inches W.C. [kPa] Side Discharge—Dry Coil								
	Cool	Heat				0.1 [ .02]	0.2 [ .05]	0.3 [ .07]	0.4 [ .10]	0.5 [ .12]	0.6 [ .15]	0.7 [ .17]	0.8 [ .20]	
4.0 [14.07]	High Cool (Tap 3)	Heat (Tap 1)	All Inputs 60,000 [17.58] 80,000 [23.45] 100,000 [29.31]	10 x 9 Blower 3/4 HP [559 W] 3 Speed (X13 Motor)	Heat Dedicated (Tap 1)	CFM [l/s]	1454 [686]	1433 [676]	1392 [657]	1354 [639]	1322 [624]	1283 [606]	1238 [584]	1192 [563]
						RPM	923	946	976	1015	1044	1085	1126	1146
						Watts	301	309	316	327	337	348	356	363
4.0 [14.07]	High Cool (Tap 3)	Heat (Tap 1)	All Inputs 60,000 [17.58] 80,000 [23.45] 100,000 [29.31]	10 x 9 Blower 3/4 HP [559 W] 3 Speed (X13 Motor)	Low Cool (Tap 2)	CFM [l/s]	1642 [775]	1621 [765]	1584 [748]	1542 [728]	1496 [706]	1451 [685]	1396 [659]	1299 [613]
						RPM	1006	1022	1064	1090	1114	1151	1160	1172
						Watts	405	412	422	435	442	449	440	414
5.0 [17.59]	1st Stage Cool (Tap 2)	Med. (Tap 1)	100,000 [29.31]	12 x 9 1 HP [746 W] 4 Speed (X13 Motor)	High Cool (Tap 3)	CFM [l/s]	1896 [895]	1863 [879]	1776 [838]	1694 [799]	1603 [757]	1528 [721]	1424 [672]	1316 [621]
						RPM	1146	1147	1159	1171	1173	1180	1188	1195
						Watts	624	614	583	554	522	497	467	432
5.0 [17.59]	2nd Stage High Cool (Tap 4)	Med. (Tap 1)	100,000 [29.31]	12 x 9 1 HP [746 W] 4 Speed (X13 Motor)	Heat Dedicated (Tap 1)	CFM [l/s]	1418 [669]	1386 [654]	1352 [638]	1307 [617]	1270 [599]	1221 [576]	1180 [557]	1117 [527]
						RPM	774	794	829	860	892	922	955	1015
						Watts	267	273	287	295	308	316	328	343
5.0 [17.59]	2nd Stage High Cool (Tap 4)	Med. (Tap 1)	100,000 [29.31]	12 x 9 1 HP [746 W] 4 Speed (X13 Motor)	1st Stage Cool (Tap 2)	CFM [l/s]	1310 [618]	1288 [608]	1238 [584]	1204 [568]	1149 [542]	1104 [521]	1035 [488]	971 [458]
						RPM	731	757	789	826	857	894	937	993
						Watts	218	229	237	250	258	270	280	294
5.0 [17.59]	2nd Stage High Cool (Tap 4)	Med. (Tap 1)	100,000 [29.31]	12 x 9 1 HP [746 W] 4 Speed (X13 Motor)	2nd Stage Low Cool (Tap 3)	CFM [l/s]	1858 [877]	1821 [859]	1782 [841]	1752 [827]	1714 [809]	1678 [792]	1640 [774]	1607 [758]
						RPM	944	968	994	1019	1041	1072	1089	1111
						Watts	541	555	564	578	586	598	611	617
5.0 [17.59]	2nd Stage High Cool (Tap 4)	Med. (Tap 1)	100,000 [29.31]	12 x 9 1 HP [746 W] 4 Speed (X13 Motor)	2nd Stage High Cool (Tap 4)	CFM [l/s]	2017 [952]	1985 [937]	1949 [920]	1909 [901]	1879 [887]	1843 [870]	1792 [846]	1737 [820]
						RPM	1018	1033	1070	1076	1112	1124	1147	1152
						Watts	690	701	711	723	735	741	742	728

NOTES: (1) Do not operate 2 ton models below 700 CFM. (2) Do not operate 2 1/2 or 3 ton models below 875 CFM. (3) Cooling speed must be changed to low cool to achieve AHRI performance (all models).

## [ J ] Designates Metric Conversions

DOWN DISCHARGE PRESSURE DROP (ADD TO EXTERNAL STATIC PRESSURE)								
CFM [L/s]	600 [283]	800 [378]	1000 [472]	1200 [566]	1400 [661]	1600 [755]	1800 [849]	2000 [944]
Pressure Drop—Includes W.C. [kPa]	0	.02 [ .005]	.05 [ .012]	.07 [ .017]	.1 [ .025]	.12 [ .030]	.15 [ .037]	.17 [ .042]





Air

Indoor Airflow Performance  
RRPL Series**INDOOR AIRFLOW PERFORMANCE — 230/460 VOLTS**

Nominal Cooling Capacity Tons [kW]	Motor Speed from Factory		Heating Input BTU/HR [kW]	Blower Size/ Motor HP [W] & # of Speeds	Motor Speed	External Static Pressure—Inches W.C. [kPa] Side Discharge—Dry Coil									
	Cool	Heat				0.1 [ .02]	0.2 [ .05]	0.3 [ .07]	0.4 [ .10]	0.5 [ .12]	0.6 [ .15]	0.7 [ .17]	0.8 [ .20]		
2.0 [7.03]	High Cool (Tap 3)	Heat (Tap 1)	All Inputs 40,000 [11.72] 60,000 [17.58] 80,000 [23.45]	9 x 7 Blower 1/3 HP [249 W] 3 Speed (X13 Motor)	Heat Dedicated (Tap 1)	CFM [l/s]	829 [391]	808 [381]	789 [372]	756 [357]	737 [348]	697 [329]	668 [315]	615 [290]	
						RPM	890	915	961	1000	1046	1089	1121	1173	
						Watts	137	139	148	151	160	163	166	167	
2.5 [8.79]	High Cool (Tap 3)	Heat (Tap 1)	All Inputs 40,000 [11.72] 60,000 [17.58] 80,000 [23.45] 100,000 [29.31]	10 x 9 Blower 1/2 HP [372 W] 3 Speed (X13 Motor)	Low Cool (Tap 2)	CFM [l/s]	853 [403]	832 [393]	804 [379]	779 [368]	745 [352]	724 [342]	688 [325]	630 [297]	
						RPM	901	928	984	1013	1054	1099	1137	1185	
						Watts	146	149	159	161	165	173	176	173	
3.0 [10.55]	High Cool (Tap 3)	Heat (Tap 1)	All Inputs 40,000 [11.72] 60,000 [17.58] 80,000 [23.45] 100,000 [29.31]	10 x 9 Blower 1/2 HP [372 W] 3 Speed (X13 Motor)	High Cool (Tap 3)	CFM [l/s]	912 [430]	896 [423]	863 [407]	839 [396]	815 [385]	787 [371]	736 [347]	656 [310]	
						RPM	940	977	1017	1062	1088	1139	1165	1181	
						Watts	171	179	183	192	194	203	199	182	
3.5 [12.31]	High Cool (Tap 3)	Heat (Tap 1)	All Inputs 40,000 [11.72] 60,000 [17.58] 80,000 [23.45] 100,000 [29.31]	10 x 9 Blower 1/2 HP [372 W] 3 Speed (X13 Motor)	Heat Dedicated (Tap 1)	CFM [l/s]	1169 [552]	1140 [538]	1111 [524]	1068 [504]	1030 [486]	995 [470]	949 [448]	895 [422]	
						RPM	868	893	932	978	1010	1048	1086	1129	
						Watts	213	217	228	239	244	254	258	268	
3.0 [10.55]	High Cool (Tap 3)	Heat (Tap 1)	All Inputs 40,000 [11.72] 60,000 [17.58] 80,000 [23.45] 100,000 [29.31]	10 x 9 Blower 1/2 HP [372 W] 3 Speed (X13 Motor)	Low Cool (Tap 2)	CFM [l/s]	1039 [490]	1021 [482]	971 [458]	932 [440]	887 [419]	839 [396]	797 [376]	735 [347]	
						RPM	798	833	878	922	955	1011	1061	1093	
						Watts	159	168	175	185	189	200	210	213	
3.0 [10.55]	High Cool (Tap 3)	Heat (Tap 1)	All Inputs 40,000 [11.72] 60,000 [17.58] 80,000 [23.45] 100,000 [29.31]	10 x 9 Blower 1/2 HP [372 W] 3 Speed (X13 Motor)	High Cool (Tap 3)	CFM [l/s]	1256 [593]	1231 [581]	1201 [567]	1161 [548]	1115 [526]	1076 [508]	1043 [492]	999 [471]	
						RPM	921	942	976	1018	1053	1093	1131	1149	
						Watts	259	263	272	284	290	299	309	307	
3.5 [12.31]	High Cool (Tap 3)	Heat (Tap 1)	All Inputs 40,000 [11.72] 60,000 [17.58] 80,000 [23.45] 100,000 [29.31]	10 x 9 Blower 1/2 HP [372 W] 3 Speed (X13 Motor)	Heat Dedicated (Tap 1)	CFM [l/s]	1169 [552]	1140 [538]	1111 [524]	1068 [504]	1030 [486]	995 [470]	949 [448]	895 [422]	
						RPM	868	893	932	978	1010	1048	1086	1129	
						Watts	213	217	228	239	244	254	258	268	
3.0 [10.55]	High Cool (Tap 3)	Heat (Tap 1)	All Inputs 40,000 [11.72] 60,000 [17.58] 80,000 [23.45] 100,000 [29.31]	10 x 9 Blower 1/2 HP [372 W] 3 Speed (X13 Motor)	Low Cool (Tap 2)	CFM [l/s]	1256 [593]	1231 [581]	1201 [567]	1161 [548]	1115 [526]	1076 [508]	1043 [492]	999 [471]	
						RPM	921	942	976	1018	1053	1093	1131	1149	
						Watts	259	263	272	284	290	299	309	307	
3.5 [12.31]	High Cool (Tap 3)	Heat (Tap 1)	All Inputs 40,000 [11.72] 60,000 [17.58] 80,000 [23.45] 100,000 [29.31]	10 x 9 Blower 1/2 HP [372 W] 3 Speed (X13 Motor)	High Cool (Tap 3)	CFM [l/s]	1357 [640]	1330 [628]	1292 [610]	1262 [596]	1225 [578]	1178 [556]	1110 [524]	1033 [488]	
						RPM	974	1003	1036	1071	1103	1134	1153	1169	
						Watts	318	323	333	343	347	356	345	328	
3.5 [12.31]	High Cool (Tap 3)	Heat (Tap 1)	All Inputs 40,000 [11.72] 60,000 [17.58] 80,000 [23.45] 100,000 [29.31]	10 x 9 Blower 1/2 HP [372 W] 3 Speed (X13 Motor)	Heat Dedicated (Tap 1)	CFM [l/s]	1241 [586]	1203 [568]	1155 [545]	1119 [528]	1082 [511]	1032 [487]	994 [469]	950 [448]	
						RPM	771	815	848	886	932	965	1004	1044	
						Watts	155	162	170	182	193	200	210	220	
3.5 [12.31]	High Cool (Tap 3)	Heat (Tap 1)	All Inputs 40,000 [11.72] 60,000 [17.58] 80,000 [23.45] 100,000 [29.31]	10 x 9 Blower 1/2 HP [372 W] 3 Speed (X13 Motor)	Low Cool (Tap 2)	CFM [l/s]	1459 [689]	1438 [679]	1409 [665]	1371 [647]	1337 [631]	1296 [612]	1258 [594]	1223 [577]	
						RPM	931	958	993	1031	1058	1097	1133	1158	
						Watts	308	319	331	339	349	362	373	381	
3.5 [12.31]	High Cool (Tap 3)	Heat (Tap 1)	All Inputs 40,000 [11.72] 60,000 [17.58] 80,000 [23.45] 100,000 [29.31]	10 x 9 Blower 1/2 HP [372 W] 3 Speed (X13 Motor)	High Cool (Tap 3)	CFM [l/s]	1562 [737]	1538 [726]	1500 [708]	1456 [687]	1434 [677]	1383 [653]	1339 [632]	1270 [599]	
						RPM	960	991	1017	1055	1089	1121	1154	1169	
						Watts	353	364	375	388	398	408	418	405	

NOTES: (1) Do not operate 2 ton models below 700 CFM. (2) Do not operate 2 1/2 or 3 ton models below 875 CFM. (3) Cooling speed must be changed to low cool to achieve AHRI performance (all models).

[ ] Designates Metric Conversions



INTEGRATED AIR &amp; WATER





# INDOOR AIRFLOW PERFORMANCE — 230/460 VOLTS (continued)

Nominal Cooling Capacity Tons [kW]	Motor Speed from Factory		Heating Input BTU/HR [kW]	Blower Size/ Motor HP [W] & # of Speeds	Motor Speed	External Static Pressure—Inches W.C. [kPa] Side Discharge—Dry Coil								
	Cool	Heat				0.1 [.02]	0.2 [.05]	0.3 [.07]	0.4 [.10]	0.5 [.12]	0.6 [.15]	0.7 [.17]	0.8 [.20]	
4.0 [14.07]	High Cool (Tap 3)	Heat (Tap 1)	All Inputs 60,000 [17.58] 80,000 [23.45] 100,000 [29.31]	10 x 9 Blower 3/4 HP [559 W] 3 Speed (X13 Motor)	Heat Dedicated (Tap 1)	CFM [l/s]	1459 [689]	1438 [679]	1409 [665]	1371 [647]	1337 [631]	1296 [612]	1258 [594]	1223 [577]
						RPM	931	958	993	1031	1058	1097	1133	1158
						Watts	308	319	331	339	349	362	373	381
	Low Cool (Tap 2)	Heat (Tap 1)	60,000 [17.58] 80,000 [23.45] 100,000 [29.31]	10 x 9 Blower 3/4 HP [559 W] 3 Speed (X13 Motor)	Low Cool (Tap 2)	CFM [l/s]	1662 [784]	1648 [778]	1607 [758]	1579 [745]	1538 [726]	1477 [697]	1392 [657]	1305 [616]
						RPM	1016	1037	1072	1098	1129	1156	1169	1179
						Watts	421	429	443	453	465	485	446	420
5.0 [17.59]	1st Stage High Cool (Tap 4)	Med. (Tap 1)	100,000 [29.31]	12 x 9 Blower 1 HP [746 W] 4 Speed (X13 Motor)	High Cool (Tap 3)	CFM [l/s]	1910 [901]	1873 [884]	1798 [849]	1715 [809]	1621 [765]	1536 [725]	1422 [671]	1323 [624]
						RPM	1149	1160	1163	1169	1175	1187	1184	1205
						Watts	638	625	601	571	536	506	469	440
	2nd Stage High Cool (Tap 4)	Med. (Tap 1)	100,000 [29.31]	12 x 9 Blower 1 HP [746 W] 4 Speed (X13 Motor)	Heat Dedicated (Tap 1)	CFM [l/s]	1423 [672]	1390 [656]	1357 [640]	1311 [619]	1277 [603]	1233 [582]	1192 [563]	1137 [537]
						RPM	776	796	830	861	895	927	958	999
						Watts	272	278	292	300	315	326	337	352
1st Stage High Cool (Tap 2)	Med. (Tap 1)	100,000 [29.31]	12 x 9 Blower 1 HP [746 W] 4 Speed (X13 Motor)	1st Stage Cool Dedicated (Tap 2)	CFM [l/s]	1319 [622]	1289 [608]	1242 [586]	1201 [567]	1148 [542]	1111 [524]	1047 [494]	985 [465]	
					RPM	728	760	790	832	859	894	939	992	
					Watts	222	234	241	256	263	276	287	304	
2nd Stage High Cool (Tap 4)	Med. (Tap 1)	100,000 [29.31]	12 x 9 Blower 1 HP [746 W] 4 Speed (X13 Motor)	2nd Stage Low Cool (Tap 3)	CFM [l/s]	1872 [883]	1847 [872]	1808 [853]	1772 [836]	1743 [823]	1703 [804]	1670 [788]	1639 [774]	
					RPM	956	973	1010	1023	1057	1085	1110	1146	
					Watts	562	572	584	598	613	622	636	646	
2nd Stage High Cool (Tap 4)	Med. (Tap 1)	100,000 [29.31]	12 x 9 Blower 1 HP [746 W] 4 Speed (X13 Motor)	2nd Stage High Cool (Tap 4)	CFM [l/s]	2046 [966]	2010 [949]	1980 [934]	1942 [917]	1904 [899]	1867 [881]	1822 [860]	1758 [830]	
					RPM	1035	1046	1079	1086	1114	1141	1171	1163	
					Watts	721	731	743	754	770	777	770	751	

NOTES: (1) Do not operate 2 ton models below 700 CFM. (2) Do not operate 2 1/2 or 3 ton models below 875 CFM. (3) Cooling speed must be changed to low cool to achieve AHRI performance (all models).

## [ J ] Designates Metric Conversions

DOWN DISCHARGE PRESSURE DROP (ADD TO EXTERNAL STATIC PRESSURE)			
CFM [L/s]	600 [283]	800 [378]	1000 [472]
Pressure Drop—Includes W.C. [kPa]	0	.02 [.005]	.05 [.012]
		.1 [.025]	.12 [.030]
		.15 [.037]	.17 [.042]





# INDOOR AIRFLOW PERFORMANCE — 208 & 230 VOLTS

Nominal Cooling Capacity Tons [kW]	Blower Size/ Motor HP [W] & Motor Type	Motor Speed	External Static Pressure—Inches W.C. [kPa] (Side Discharge—Dry Coil)														
			0.1 [0.02]	0.2 [0.05]	0.3 [0.07]	0.4 [0.10]	0.5 [0.12]	0.6 [0.15]	0.7 [0.17]	0.8 [0.20]	0.9 [0.22]	1.0 [0.25]					
2.0 [7.03]	9 x 7 Blower 1/3 HP [249 W] ECM	Heat	CFM [l/s]	832 [393]	836 [395]	848 [400]	852 [402]	860 [406]	857 [404]	860 [406]	857 [404]	860 [406]	857 [404]	860 [406]	857 [404]	860 [406]	857 [404]
			RPM	845	898	975	1035	1086	1129	1187	1240	1287	1308				
			Watts	139	154	180	201	220	237	260	282	302	294				
		Low Cool (1st Stage)	CFM [l/s]	548 [259]	551 [260]	557 [263]	556 [262]	552 [261]	563 [266]	558 [263]	542 [256]	528 [249]	523 [247]	523 [247]			
			RPM	635	714	794	880	940	1023	1100	1167	1220	1263				
			Watts	55	66	80	95	107	127	146	163	177	191				
	High Cool (2nd Stage)	CFM [l/s]	769 [363]	778 [367]	791 [373]	793 [374]	804 [379]	804 [379]	812 [383]	804 [379]	806 [380]	806 [380]	786 [371]				
		RPM	772	854	926	999	1042	1109	1169	1210	1264	1300					
		Watts	109	129	151	172	190	212	236	249	272	280					
	3.0 [10.55]	10 x 9 Blower 1/2 HP [372 W] ECM	Heat	CFM [l/s]	1089 [514]	1099 [519]	1098 [518]	1098 [518]	1101 [520]	1105 [522]	1110 [524]	1106 [522]	1106 [522]	1098 [518]			
				RPM	755	808	871	924	974	1025	1077	1121	1162	1205			
				Watts	163	185	210	234	259	286	316	339	367	392			
Low Cool (1st Stage)			CFM [l/s]	791 [373]	808 [381]	812 [383]	823 [388]	807 [381]	805 [380]	795 [375]	773 [365]	759 [358]	719 [339]				
			RPM	584	689	751	829	873	935	998	1050	1097	1136				
			Watts	73	98	116	141	153	175	197	217	237	246				
High Cool (2nd Stage)		CFM [l/s]	1192 [563]	1203 [568]	1216 [574]	1225 [578]	1236 [583]	1241 [586]	1246 [588]	1244 [587]	1241 [586]	1235 [583]					
		RPM	783	852	924	974	1027	1080	1127	1166	1206	1246					
		Watts	193	225	264	293	324	358	393	419	447	475					
4.0 [14.07]		10 x 9 Blower 3/4 HP [559 W] ECM	Heat	CFM [l/s]	1055 [498]	1075 [507]	1082 [511]	1090 [514]	1093 [516]	1097 [518]	1096 [517]	1089 [514]	1074 [507]	1069 [505]			
				RPM	712	784	845	903	964	1009	1055	1100	1150	1188			
				Watts	140	169	194	222	250	276	301	326	344	371			
	Low Cool (1st Stage)		CFM [l/s]	1032 [487]	1045 [493]	1053 [497]	1058 [499]	1058 [499]	1066 [503]	1068 [504]	1056 [498]	1046 [494]	1037 [489]				
			RPM	714	775	837	900	946	1006	1059	1087	1135	1187				
			Watts	137	160	186	214	235	267	293	309	335	362				
	High Cool (2nd Stage)	CFM [l/s]	1594 [752]	1609 [759]	1609 [759]	1610 [760]	1612 [761]	1611 [760]	1614 [762]	1613 [761]	1583 [747]	1525 [720]					
		RPM	980	1044	1083	1130	1167	1202	1247	1281	1317	1326					
		Watts	396	445	477	516	549	580	618	652	665	652					
	5.0 [17.59]	12 x 9 Blower 1 HP [746 W] ECM	Heat	CFM [l/s]	1045 [493]	1051 [496]	1070 [505]	1072 [506]	1069 [505]	1066 [503]	1076 [508]	1068 [504]	1060 [500]	1049 [495]			
				RPM	596	646	709	756	804	869	915	962	1009	1060			
				Watts	128	149	178	201	226	262	292	322	353	389			
Low Cool (1st Stage)			CFM [l/s]	1168 [551]	1204 [568]	1232 [581]	1238 [584]	1237 [584]	1243 [587]	1240 [585]	1237 [584]	1242 [586]	1228 [580]				
			RPM	656	704	765	818	859	902	944	985	1043	1073				
			Watts	179	203	241	273	298	329	359	390	428	461				
High Cool (2nd Stage)		CFM [l/s]	1838 [867]	1835 [866]	1840 [868]	1847 [872]	1848 [872]	1842 [869]	1842 [869]	1838 [867]	1834 [866]	1827 [862]					
		RPM	925	957	987	1028	1058	1096	1122	1160	1199	1216					
		Watts	560	595	631	677	717	751	797	840	880	912					

Notes: All airflows listed (except the 5 ton high cool) can be adjusted by +/-10% using the dip switches on the ECM interface board located in the blower section. See the ECM Motor Interface Control and Settings Section of the I&O before making adjustments. The +/-10% setting of the 5 ton high cool is not available to prevent water blow-off.

I | Designates Metric Conversions

## INDOOR AIRFLOW PERFORMANCE – 208 & 230 VOLTS (continued)

DOWN DISCHARGE PRESSURE DROP (ADD TO EXTERNAL STATIC PRESSURE)									
CFM [L/s]	600 [283]	800 [378]	1000 [472]	1200 [566]	1400 [661]	1600 [755]	1800 [849]	2000 [944]	
Pressure Drop—Includes W.C. [kPa]	0	.02 [.005]	.05 [.012]	.07 [.017]	.1 [.025]	.12 [.030]	.15 [.037]	.17 [.042]	

[ ] Designates Metric Conversions

ELECTRICAL DATA – RRNL- SERIES													
		-B024JK04	-B024JK06	-B024JK08	-B030JK04	-B030JK06	-B030JK08	-B030JK10	-B036CK04	-B036CK06	-B036CK08	-B036CK10	-B036DK06
Unit Information	Unit Operating Voltage Range	187-253	187-253	187-253	187-253	187-253	187-253	187-253	187-253	187-253	187-253	187-253	414-506
	Minimum Circuit Ampacity	19/19	19/19	19/19	22/22	22/22	22/22	22/22	17/17	17/17	17/17	17/17	9
	Minimum Overcurrent Protection Device Size	20/20	20/20	20/20	25/25	25/25	25/25	25/25	20/20	20/20	20/20	20/20	15
	Maximum Overcurrent Protection Device Size	30/30	30/30	30/30	35/35	35/35	35/35	35/35	25/25	25/25	25/25	25/25	20
Compressor Motor	No.	1	1	1	1	1	1	1	1	1	1	1	1
	Volts	208/230	208/230	208/230	208/230	208/230	208/230	208/230	208/230	208/230	208/230	208/230	460
	Phase	1	1	1	1	1	1	1	3	3	3	3	3
	HP	2 1/6	2 1/6	2 1/6	2 2/3	2 2/3	2 2/3	2 2/3	3 1/3	3 1/3	3 1/3	3 1/3	3 1/3
	RPM	3450	3450	3450	3450	3450	3450	3450	3450	3450	3450	3450	3450
	Amps (RLA)	12.8/12.8	12.8/12.8	12.8/12.8	14.1/14.1	14.1/14.1	14.1/14.1	14.1/14.1	10.4/10.4	10.4/10.4	10.4/10.4	10.4/10.4	5.8
	Amps (LRA)	58.3/58.3	58.3/58.3	58.3/58.3	73/73	73/73	73/73	73/73	88/88	88/88	88/88	88/88	38
Condenser Motor	No.	1	1	1	1	1	1	1	1	1	1	1	1
	Volts	208/230	208/230	208/230	208/230	208/230	208/230	208/230	208/230	208/230	208/230	208/230	460
	Phase	1	1	1	1	1	1	1	1	1	1	1	1
	HP	1/3	1/3	1/3	1/3	1/3	1/3	1/3	1/3	1/3	1/3	1/3	1/3
	Amps (FLA)	1.3	1.3	1.3	1.3	1.3	1.3	1.3	1.3	1.3	1.3	1.3	0.6
	Amps (LRA)	2.3	2.3	2.3	2.3	2.3	2.3	2.3	2.3	2.3	2.3	2.3	1.1
Evaporator Fan	No.	1	1	1	1	1	1	1	1	1	1	1	1
	Volts	208/230	208/230	208/230	208/230	208/230	208/230	208/230	208/230	208/230	208/230	208/230	460
	Phase	1	1	1	1	1	1	1	1	1	1	1	1
	HP	1/4	1/4	1/4	1/2	1/2	1/2	1/2	1/2	1/2	1/2	1/2	1/2
	Amps (FLA)	1.3	1.3	1.3	2.4	2.4	2.4	2.4	2.4	2.4	2.4	2.4	1.2
	Amps (LRA)	2.3	2.3	2.3	5.1	5.1	5.1	5.1	5.1	5.1	5.1	5.1	2.2

1. Horsepower Per Compressor.
2. Amp Draw Per Motor. Multiply Value By Number of Motors to Determine Total Amps.

**ELECTRICAL DATA – RRNL- SERIES**

		-B036DK08	-B036DK10	-B036JK04	-B036JK06	-B036JK08	-B036JK10	-B042CK04	-B042CK06	-B042CK08	-B042CK10	-B042JK04	-B042JK06	
<b>Unit Information</b>	Unit Operating Voltage Range	414-506	414-506	187-253	187-253	187-253	187-253	187-253	187-253	187-253	187-253	187-253	187-253	
	Minimum Circuit Ampacity	9	9	25/25	25/25	25/25	25/25	22/22	22/22	22/22	22/22	27/27	27/27	
	Minimum Overcurrent Protection Device Size	15	15	25/25	25/25	25/25	25/25	25/25	25/25	25/25	25/25	30/30	30/30	
	Maximum Overcurrent Protection Device Size	20	20	40/40	40/40	40/40	40/40	30/30	30/30	30/30	30/30	40/40	40/40	
<b>Compressor Motor</b>	No.	1	1	1	1	1	1	1	1	1	1	1	1	
	Volts	460	460	208/230	208/230	208/230	208/230	208/230	208/230	208/230	208/230	208/230	208/230	
	Phase	3	3	1	1	1	1	3	3	3	3	1	1	
	HP	3 1/3	3 1/3	3 1/3	3 1/3	3 1/3	3 1/3	3 1/2	3 1/2	3 1/2	3 1/2	3 1/2	3 1/2	
	RPM	3450	3450	3450	3450	3450	3450	3450	3450	3450	3450	3450	3450	
	Amps (RLA)	5.8	5.8	16.7/16.7	16.7/16.7	16.7/16.7	16.7/16.7	13.5/13.5	13.5/13.5	13.5/13.5	13.5/13.5	13.5/13.5	17.9/17.9	17.9/17.9
	Amps (LRA)	38	38	79/79	79/79	79/79	79/79	88/88	88/88	88/88	88/88	88/88	112/112	112/112
<b>Condenser Motor</b>	No.	1	1	1	1	1	1	1	1	1	1	1	1	
	Volts	460	460	208/230	208/230	208/230	208/230	208/230	208/230	208/230	208/230	208/230	208/230	
	Phase	1	1	1	1	1	1	1	1	1	1	1	1	
	HP	1/3	1/3	1/3	1/3	1/3	1/3	1/3	1/3	1/3	1/3	1/3	1/3	
	Amps (FLA)	0.6	0.6	1.3	1.3	1.3	1.3	2	2	2	2	2	2	
	Amps (LRA)	1.1	1.1	2.3	2.3	2.3	2.3	3.9	3.9	3.9	3.9	3.9	3.9	
<b>Evaporator Fan</b>	No.	1	1	1	1	1	1	1	1	1	1	1	1	
	Volts	460	460	208/230	208/230	208/230	208/230	208/230	208/230	208/230	208/230	208/230	208/230	
	Phase	1	1	1	1	1	1	1	1	1	1	1	1	
	HP	1/2	1/2	1/2	1/2	1/2	1/2	1/2	1/2	1/2	1/2	1/2	1/2	
	Amps (FLA)	1.2	1.2	2.4	2.4	2.4	2.4	2.4	2.4	2.4	2.4	2.4	2.4	
	Amps (LRA)	2.2	2.2	5.1	5.1	5.1	5.1	5.1	5.1	5.1	5.1	5.1	5.1	

1. Horsepower Per Compressor.
2. Amp Draw Per Motor. Multiply Value By Number of Motors to Determine Total Amps.

ELECTRICAL DATA – RRNL- SERIES														
		-B042JK08	-B042JK10	-B048CK06	-B048CK08	-B048CK10	-B048DK10	-B048JK06	-B048JK08	-B048JK10	-C060CK10	-C060DK10	-C060JK10	
<b>Unit Information</b>	Unit Operating Voltage Range	187-253	187-253	187-253	187-253	187-253	414-506	187-253	187-253	187-253	197-253	414-506	197-253	
	Minimum Circuit Ampacity	27/27	27/27	24/24	24/24	24/24	12	34/34	34/34	34/34	32/32	15	43/43	
	Minimum Overcurrent Protection Device Size	30/30	30/30	25/25	25/25	25/25	15	35/35	35/35	35/35	35/35	20	45/45	
	Maximum Overcurrent Protection Device Size	40/40	40/40	35/35	35/35	35/35	20	50/50	50/50	50/50	45/45	20	60/60	
<b>Compressor Motor</b>	No.	1	1	1	1	1	1	1	1	1	1	1	1	
	Volts	208/230	208/230	208/230	208/230	208/230	460	208/230	208/230	208/230	208/230	460	208/230	
	Phase	1	1	3	3	3	3	1	1	1	3	3	1	
	HP	3 1/2	3 1/2	4	4	4	4	4	4	4	4	5	5	5
	RPM	3450	3450	3450	3450	3450	3450	3450	3450	3450	3450	3500	3450	
	Amps (RLA)	17.9/17.9	17.9/17.9	13.7/13.7	13.7/13.7	13.7/13.7	6.2	21.8/21.8	21.8/21.8	21.8/21.8	21.8/21.8	17.9/17.9	7.8	26.4/26.4
	Amps (LRA)	112/112	112/112	83.1/83.1	83.1/83.1	83.1/83.1	41	117/117	117/117	117/117	117/117	110/110	52	134/134
<b>Condenser Motor</b>	No.	1	1	1	1	1	1	1	1	1	1	1	1	
	Volts	208/230	208/230	208/230	208/230	208/230	460	208/230	208/230	208/230	208/230	460	208/230	
	Phase	1	1	1	1	1	1	1	1	1	1	1	1	
	HP	1/3	1/3	1/3	1/3	1/3	1/3	1/3	1/3	1/3	1/3	1/3	1/3	
	Amps (FLA)	2	2	2	2	2	1	2	2	2	2	1	2	
	Amps (LRA)	3.9	3.9	3.9	3.9	3.9	2.2	3.9	3.9	3.9	3.9	2.2	3.9	
<b>Evaporator Fan</b>	No.	1	1	1	1	1	1	1	1	1	1	1	1	
	Volts	208/230	208/230	208/230	208/230	208/230	460	208/230	208/230	208/230	208/230	460/460	208/230	
	Phase	1	1	1	1	1	1	1	1	1	1	1	1	
	HP	1/2	1/2	3/4	3/4	3/4	3/4	3/4	3/4	3/4	3/4	1	1	1
	Amps (FLA)	2.4	2.4	4.4	4.4	4.4	2.3	4.4	4.4	4.4	4.4	7.6	4	7.6
	Amps (LRA)	5.1	5.1	9.5	9.5	9.5	5	9.5	9.5	9.5	9.5	0	0	0

1. Horsepower Per Compressor.

2. Amp Draw Per Motor. Multiply Value By Number of Motors to Determine Total Amps.

**ELECTRICAL DATA – RRPL- SERIES**

		-B024JK04	-B024JK06	-B024JK08	-B030JK04	-B030JK06	-B030JK08	-B030JK10	-B036CK04	-B036CK06	-B036CK08	-B036CK10	-B036DK06	-B036DK08
<b>Unit Information</b>	Unit Operating Voltage Range	187-253	187-253	187-253	187-253	187-253	187-253	187-253	187-253	187-253	187-253	187-253	414-506	414-506
	Minimum Circuit Ampacity	21/21	21/21	21/21	24/24	24/24	24/24	24/24	19/19	19/19	19/19	19/19	10	10
	Minimum Overcurrent Protection Device Size	25/25	25/25	25/25	25/25	25/25	25/25	25/25	20/20	20/20	20/20	20/20	15	15
	Maximum Overcurrent Protection Device Size	30/30	30/30	30/30	35/35	35/35	35/35	35/35	25/25	25/25	25/25	25/25	15	15
<b>Compressor Motor</b>	No.	1	1	1	1	1	1	1	1	1	1	1	1	1
	Volts	208/230	208/230	208/230	208/230	208/230	208/230	208/230	208/230	208/230	208/230	208/230	460	460
	Phase	1	1	1	1	1	1	1	3	3	3	3	3	3
	HP	2 1/6	2 1/6	2 1/6	2 2/3	2 2/3	2 2/3	2 2/3	3 1/3	3 1/3	3 1/3	3 1/3	3 1/3	3 1/3
	RPM	3450	3450	3450	3450	3450	3450	3450	3450	3450	3450	3450	3450	3450
	Amps (RLA)	12.8/12.8	12.8/12.8	12.8/12.8	14.1/14.1	14.1/14.1	14.1/14.1	14.1/14.1	10.4/10.4	10.4/10.4	10.4/10.4	10.4/10.4	5.8	5.8
	Amps (LRA)	58.3/58.3	58.3/58.3	58.3/58.3	73/73	73/73	73/73	73/73	88/88	88/88	88/88	88/88	38	38
<b>Condenser Motor</b>	No.	1	1	1	1	1	1	1	1	1	1	1	1	1
	Volts	208/230	208/230	208/230	208/230	208/230	208/230	208/230	208/230	208/230	208/230	208/230	460	460
	Phase	1	1	1	1	1	1	1	1	1	1	1	1	1
	HP	1/3	1/3	1/3	1/3	1/3	1/3	1/3	1/3	1/3	1/3	1/3	1/3	1/3
	Amps (FLA)	1.3	1.3	1.3	1.3	1.3	1.3	1.3	1.3	1.3	1.3	1.3	0.6	0.6
	Amps (LRA)	2.3	2.3	2.3	2.3	2.3	2.3	2.3	2.3	2.3	2.3	2.3	1.6	1.6
<b>Evaporator Fan</b>	No.	1	1	1	1	1	1	1	1	1	1	1	1	1
	Volts	208/230	208/230	208/230	208/230	208/230	208/230	208/230	208/230	208/230	208/230	208/230	460/460	460/460
	Phase	1	1	1	1	1	1	1	1	1	1	1	1	1
	HP	1/3	1/3	1/3	1/2	1/2	1/2	1/2	1/2	1/2	1/2	1/2	1/2	1/2
	Amps (FLA)	2.8	2.8	2.8	4.1	4.1	4.1	4.1	4.1	4.1	4.1	4.1	2.1	2.1
	Amps (LRA)	0	0	0	0	0	0	0	0	0	0	0	0	0

1. Horsepower Per Compressor.
2. Amp Draw Per Motor. Multiply Value By Number of Motors to Determine Total Amps.



ELECTRICAL DATA – RRPL- SERIES															
		-B036DK10	-B036JK04	-B036JK06	-B036JK08	-B036JK10	-B042CK04	-B042CK06	-B042CK08	-B042CK10	-B042JK04	-B042JK06	-B042JK08	-B042JK10	-B048CK06
Unit Information	Unit Operating Voltage Range	414-506	187-253	187-253	187-253	187-253	187-253	187-253	187-253	187-253	187-253	187-253	187-253	187-253	187-253
	Minimum Circuit Ampacity	10	27/27	27/27	27/27	27/27	24/24	24/24	24/24	24/24	29/29	29/29	29/29	29/29	26/26
	Minimum Overcurrent Protection Device Size	15	30/30	30/30	30/30	30/30	25/25	25/25	25/25	25/25	30/30	30/30	30/30	30/30	30/30
	Maximum Overcurrent Protection Device Size	15	40/40	40/40	40/40	40/40	35/35	35/35	35/35	35/35	45/45	45/45	45/45	45/45	35/35
Compressor Motor	No.	1	1	1	1	1	1	1	1	1	1	1	1	1	1
	Volts	460	208/230	208/230	208/230	208/230	208/230	208/230	208/230	208/230	208/230	208/230	208/230	208/230	208/230
	Phase	3	1	1	1	1	3	3	3	3	1	1	1	1	3
	HP	3 1/3	3 1/3	3 1/3	3 1/3	3 1/3	3 1/2	3 1/2	3 1/2	3 1/2	3 1/2	3 1/2	3 1/2	3 1/2	4
	RPM	3450	3450	3450	3450	3450	3450	3450	3450	3450	3450	3450	3450	3450	3450
	Amps (RLA)	5.8	16.7/16.7	16.7/16.7	16.7/16.7	16.7/16.7	13.5/13.5	13.5/13.5	13.5/13.5	13.5/13.5	17.9/17.9	17.9/17.9	17.9/17.9	17.9/17.9	13.7/13.7
	Amps (LRA)	38	79/79	79/79	79/79	79/79	88/88	88/88	88/88	88/88	112/112	112/112	112/112	112/112	83.1/83.1
Condenser Motor	No.	1	1	1	1	1	1	1	1	1	1	1	1	1	1
	Volts	460	208/230	208/230	208/230	208/230	208/230	208/230	208/230	208/230	208/230	208/230	208/230	208/230	208/230
	Phase	1	1	1	1	1	1	1	1	1	1	1	1	1	1
	HP	1/3	1/3	1/3	1/3	1/3	1/3	1/3	1/3	1/3	1/3	1/3	1/3	1/3	1/3
	Amps (FLA)	0.6	1.3	1.3	1.3	1.3	2	2	2	2	2	2	2	2	2
	Amps (LRA)	1.6	2.3	2.3	2.3	2.3	3.9	3.9	3.9	3.9	3.9	3.9	3.9	3.9	3.9
Evaporator Fan	No.	1	1	1	1	1	1	1	1	1	1	1	1	1	1
	Volts	460/460	208/230	208/230	208/230	208/230	208/230	208/230	208/230	208/230	208/230	208/230	208/230	208/230	208/230
	Phase	1	1	1	1	1	1	1	1	1	1	1	1	1	1
	HP	1/2	1/2	1/2	1/2	1/2	1/2	1/2	1/2	1/2	1/2	1/2	1/2	1/2	3/4
	Amps (FLA)	2.1	4.1	4.1	4.1	4.1	4.1	4.1	4.1	4.1	4.1	4.1	4.1	4.1	6
	Amps (LRA)	0	0	0	0	0	0	0	0	0	0	0	0	0	0

1. Horsepower Per Compressor.
2. Amp Draw Per Motor. Multiply Value By Number of Motors to Determine Total Amps.

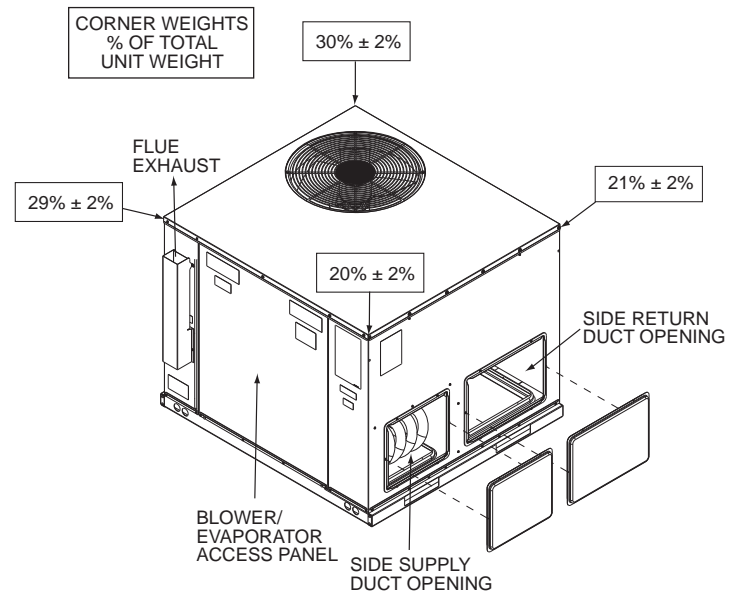
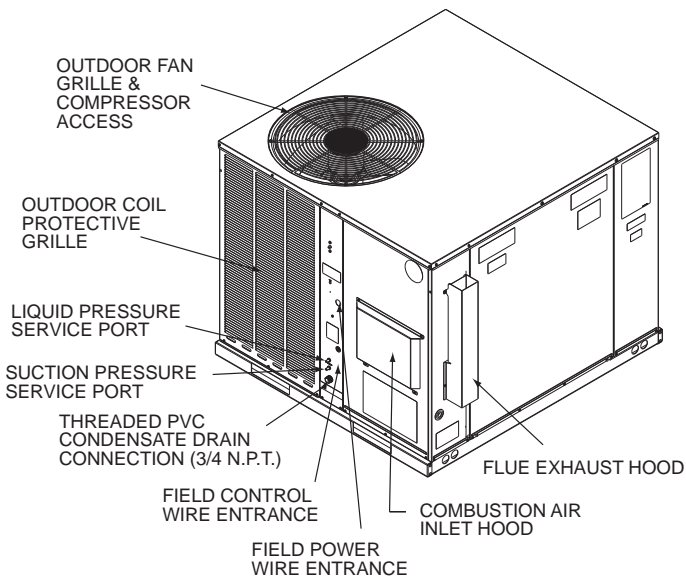
ELECTRICAL DATA – RRPL- SERIES										
		-B048CK08	-B048CK10	-B048DK10	-B048JK06	-B048JK08	-B048JK10	-B060CK10	-B060DK10	-B060JK10
Unit Information	Unit Operating Voltage Range	187-253	187-253	414-506	187-253	187-253	187-253	197-253	414-506	197-253
	Minimum Circuit Ampacity	26/26	26/26	12	36/36	36/36	36/36	32/32	17	42/42
	Minimum Overcurrent Protection Device Size	30/30	30/30	15	40/40	40/40	40/40	35/35	20	45/45
	Maximum Overcurrent Protection Device Size	35/35	35/35	15	50/50	50/50	50/50	45/45	25	60/60
Compressor Motor	No.	1	1	1	1	1	1	1	1	1
	Volts	208/230	208/230	460	208/230	208/230	208/230	208/230	460	208/230
	Phase	3	3	3	1	1	1	3	3	1
	HP	4	4	4	4	4	4	5	5	5
	RPM	3450	3450	3450	3450	3450	3450	3450	3450	3450
	Amps (RLA)	13.7/13.7	13.7/13.7	6.2	21.8/21.8	21.8/21.8	21.8/21.8	17.6/17.6	9	25.6/25.6
	Amps (LRA)	83.1/83.1	83.1/83.1	41	117/117	117/117	117/117	123/123	62	118/118
Condenser Motor	No.	1	1	1	1	1	1	1	1	1
	Volts	208/230	208/230	460	208/230	208/230	208/230	208/230	460	208/230
	Phase	1	1	1	1	1	1	1	1	1
	HP	1/3	1/3	1/3	1/3	1/3	1/3	1/3	1/3	1/3
	Amps (FLA)	2	2	1	2	2	2	2	1	2
	Amps (LRA)	3.9	3.9	2.2	3.9	3.9	3.9	3.9	2.2	3.9
Evaporator Fan	No.	1	1	1	1	1	1	1	1	1
	Volts	208/230	208/230	460/460	208/230	208/230	208/230	208/230	460/460	208/230
	Phase	1	1	1	1	1	1	1	1	1
	HP	3/4	3/4	3/4	3/4	3/4	3/4	1	1	1
	Amps (FLA)	6	6	3.2	6	6	6	7.6	4	7.6
	Amps (LRA)	0	0	0	0	0	0	0	0	0

1. Horsepower Per Compressor.
2. Amp Draw Per Motor. Multiply Value By Number of Motors to Determine Total Amps.

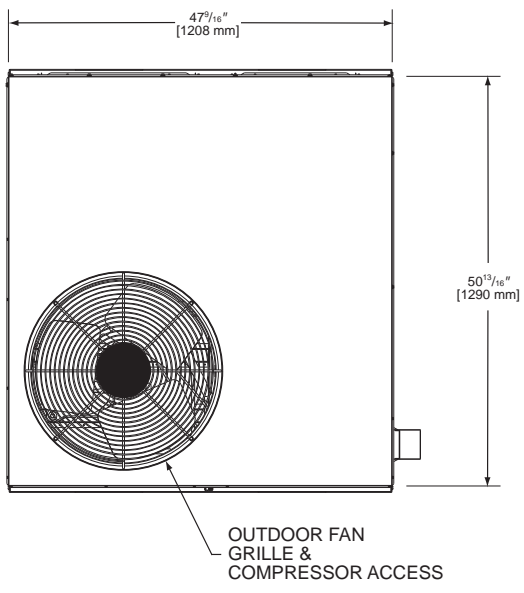


ELECTRICAL DATA – RRRL- SERIES								
		C024JK	C036CK	C036JK	C048CK	C048JK	C060CK	C060JK
Unit Information	Unit Operating Voltage Range	197-253	197-253	197-253	197-253	197-253	197-253	197-253
	Volts	208/230	208/230	208/230	208/230	208/230	208/230	208/230
	Minimum Circuit Ampacity	15/15	17/17	24/24	22/22	31/31	28/28	38/38
	Minimum Overcurrent Protection Device Size	20/20	20/20	30/30	25/25	40/40	35/35	45/45
	Maximum Overcurrent Protection Device Size	20/20	25/25	40/40	30/30	50/50	45/45	60/60
Compressor Motor	No.	1	1	1	1	1	1	1
	Volts	208/230	208/230	208/230	208/230	208/230	208/230	208/230
	Phase	1	3	1	3	1	3	1
	RPM	3450	3450	3450	3450	3450	3450	3450
	HP, Compressor 1	2 5/6	4	4	5 1/4	5 1/4	7	6 2/3
	Amps (RLA), Comp. 1	10.3/10.3	11.2/11.2	16.7/16.7	13.5/13.5	21.2/21.2	17.6/17.6	25.6/25.6
	Amps (LRA), Comp. 1	52/52	58/58	82/82	88/88	96/96	123/123	118/118
Condenser Motor	No.	1	1	1	1	1	1	1
	Volts	208/230	208/230	208/230	208/230	208/230	208/230	208/230
	Phase	1	1	1	1	1	1	1
	HP	1/6	1/6	1/6	1/3	1/3	1/3	1/3
	Amps (FLA, each)	0.6/0.6	0.6/0.6	0.6/0.6	1.5/1.5	1.5/1.5	2/2	2/2
	Amps (LRA, each)	1.5/1.5	1.5/1.5	1.5/1.5	3/3	3/3	3.9/3.9	3.9/3.9
Evaporator Fan	No.	1	1	1	1	1	1	1
	Volts	208/230	208/230	208/230	208/230	208/230	208/230	208/230
	Phase	1	1	1	1	1	1	1
	HP	1/3	1/2	1/2	3/4	3/4	1	1
	Amps (FLA, each)	1/1	2/2	2/2	3/3	3/3	4/4	4/4
	Amps (LRA, each)	0/0	0/0	0/0	0/0	0/0	0/0	0/0

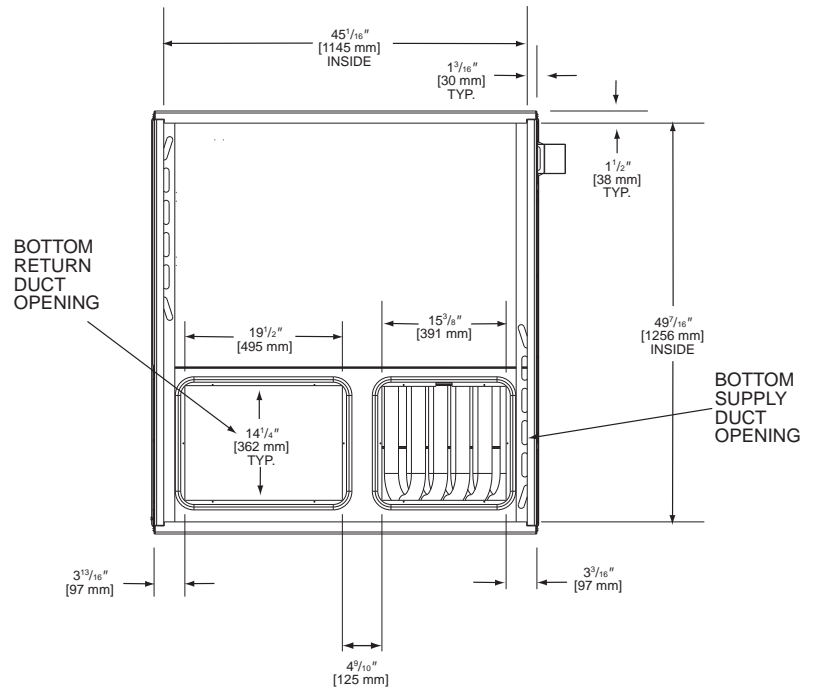
1. Horsepower Per Compressor.
2. Amp Draw Per Motor. Multiply Value By Number of Motors to Determine Total Amps.



**TOP VIEW**

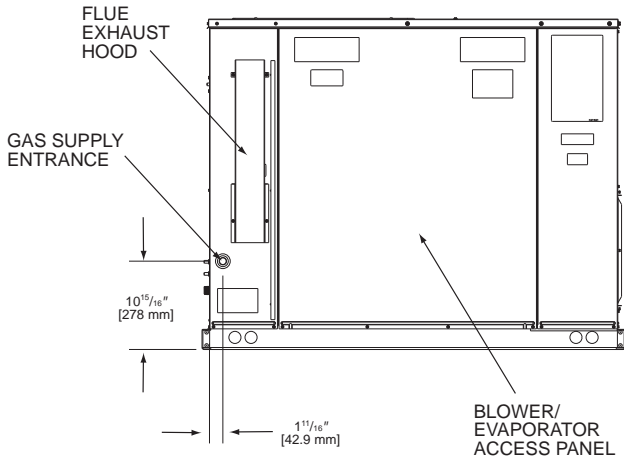


**BOTTOM VIEW**

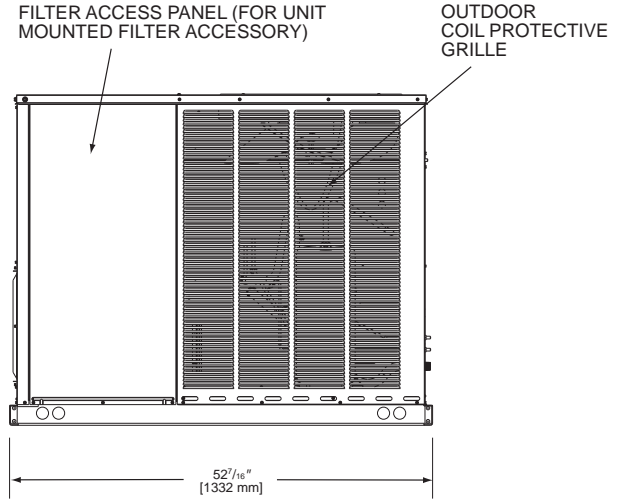


[ ] Designates Metric Conversions

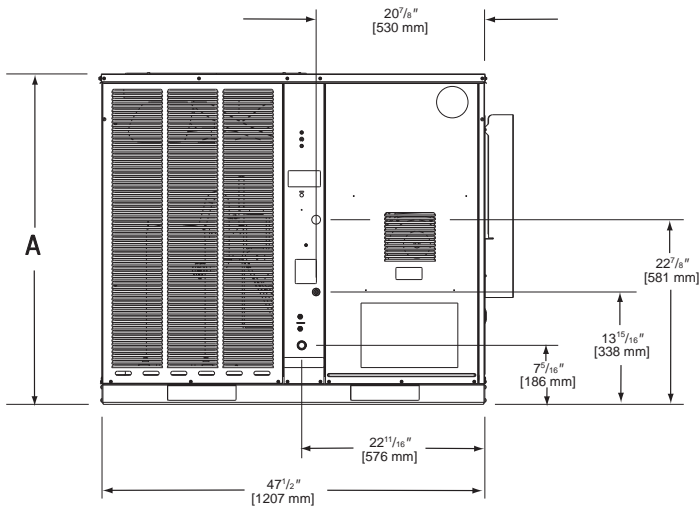
### SIDE VIEW



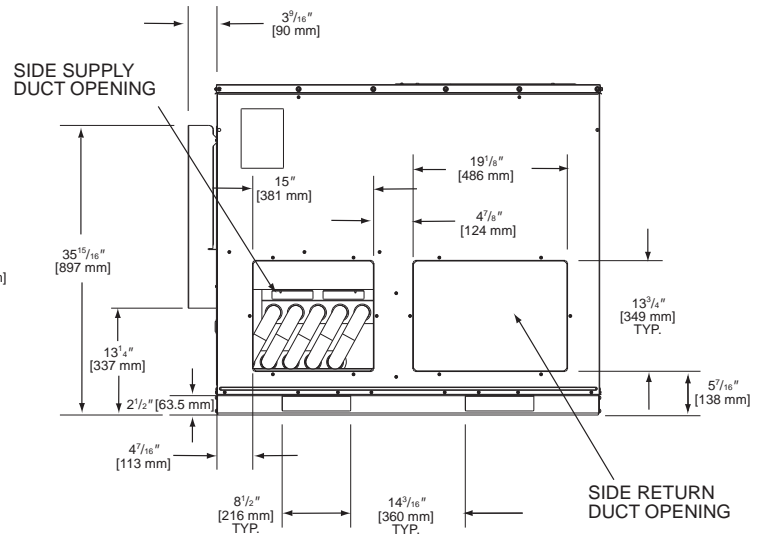
### SIDE VIEW



### FRONT VIEW



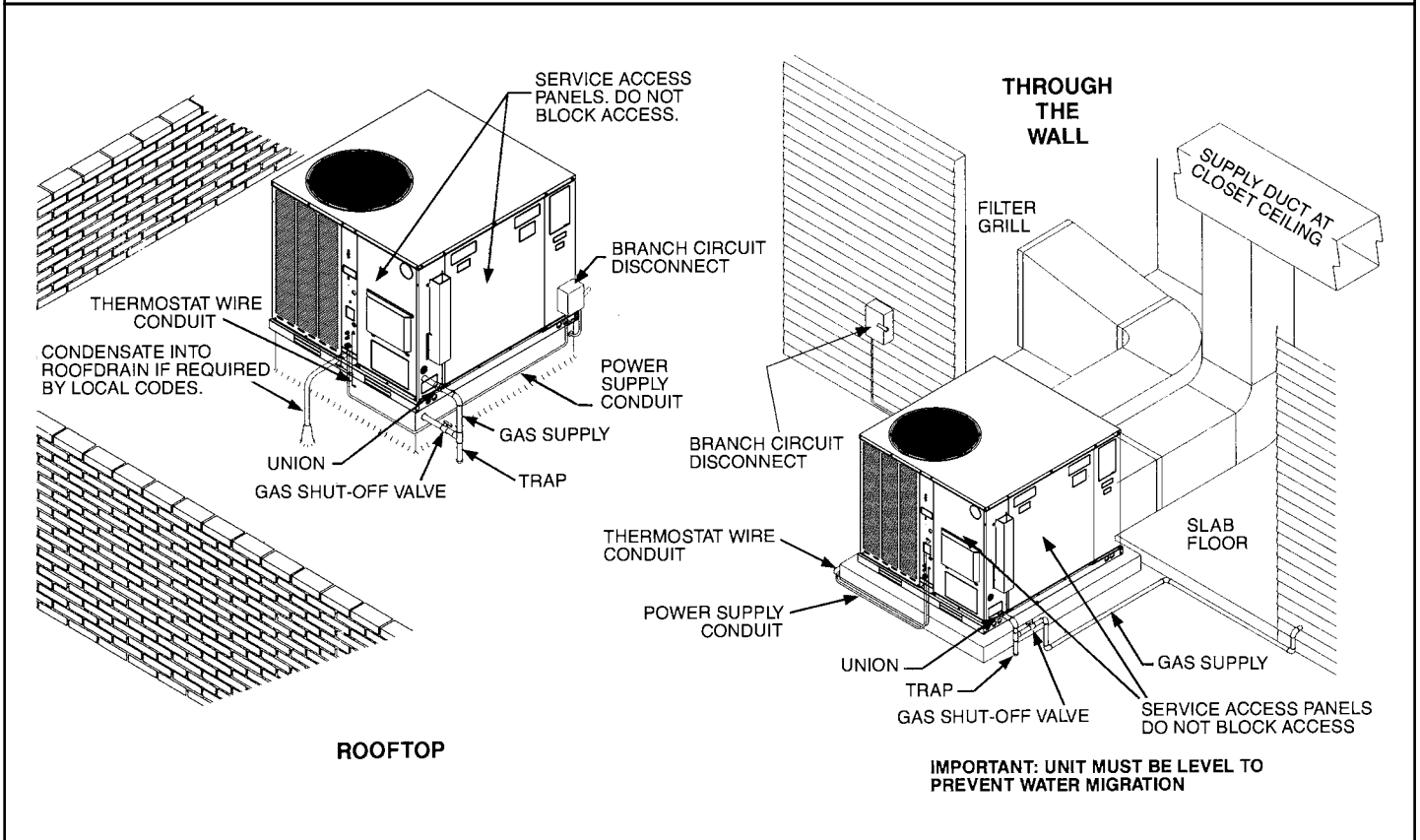
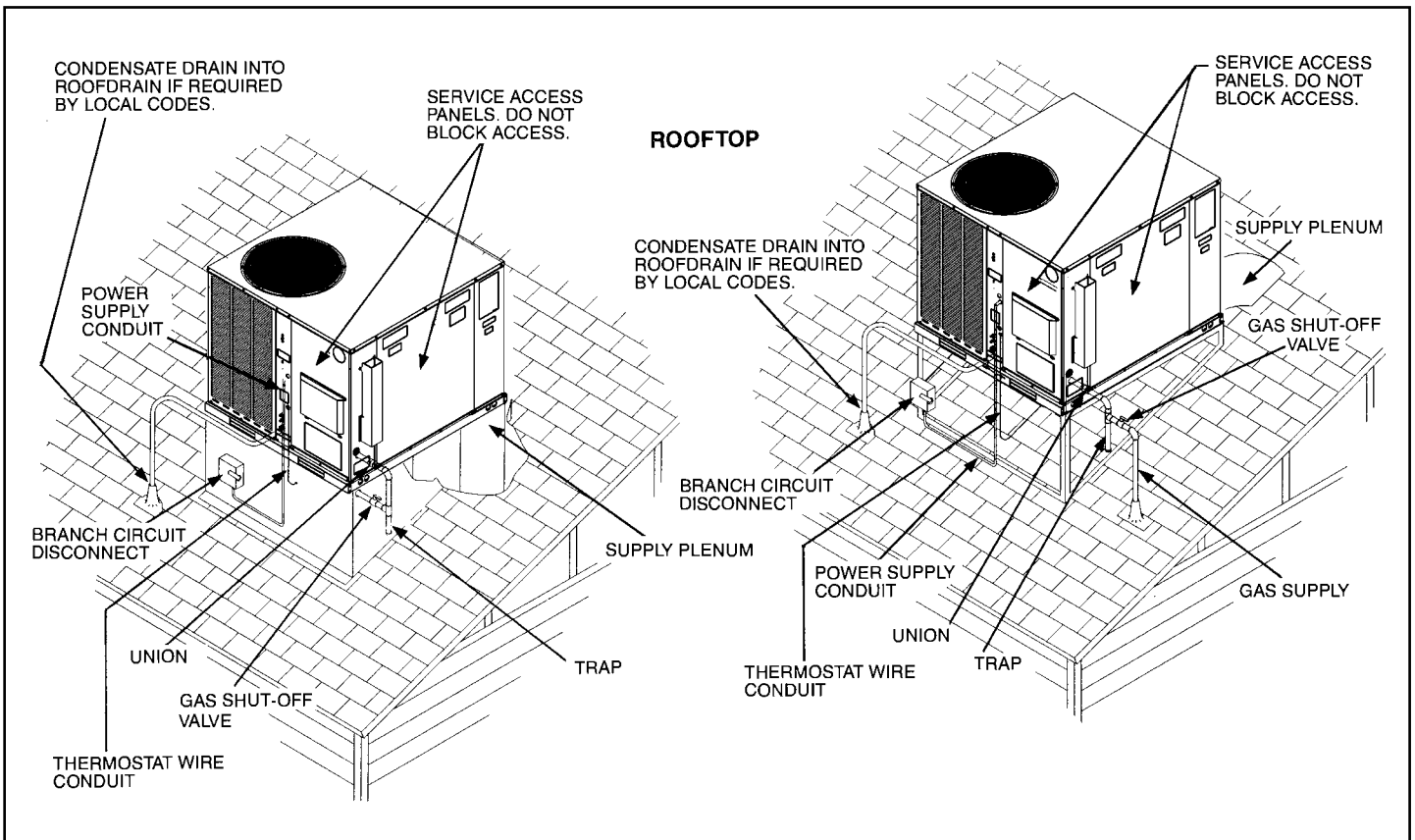
### BACK VIEW



SHOWN WITH DUCT COVERS REMOVED.

Models: RRNL/RRPL	Model: RRRL	"A" Height
B024, B030, B036	B024	35 <sup>15</sup> / <sub>16</sub> "
B042, B048, B060/C060	B036, B048, B060	41"

[ ] Designates Metric Conversions



[ ] Designates Metric Conversions

## ACCESSORY EQUIPMENT

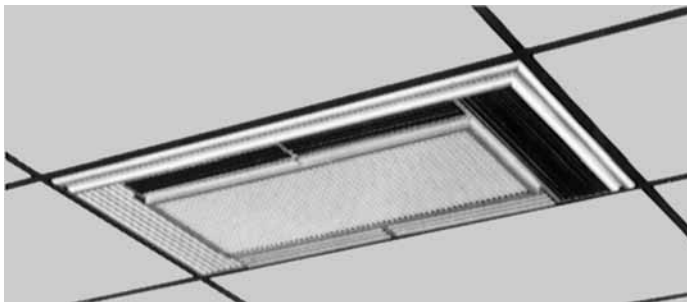
Accessory Description	Model Application	Accessory Model No.
Thermostats	RRNL-/RRPL-/RRRL-	See Thermostat Specification Sheet (T11-001)
Roofcurbs	RRNL-/RRPL-/RRRL-	RXSG-AAA08 (8" [203 mm] Height) RXSG-AAA14 (14" [356 mm] Height) RXSG-AAA24 (24" [610 mm] Height)
Supply & Return Diffusers	RRNL-/RRPL-/RRRL-	RXRN-BD15
Economizers (Sideflow Only)	RRNL-/RRPL-/RRRL-	AXRE-CCA30 (3 Position) AXRD-CCM10 (Fully Modulating)
Economizers (Downflow Only)	RRNL-/RRPL-/RRRL-	AXRE-CAA30 (3 Position) AXRD-CAM10 (Fully Modulating)
Fresh Air Damper	RRNL-/RRPL-/RRRL-	AXRF-FAB1 (Motorized-35%) AXRF-FAA1 (Fixed-35%)
Rectangular to Round Transition (Downflow)	RRNL-/RRPL-/RRRL-	RXMC-CA02 (16" [406 mm] Ducts) RXMC-CA03 (18" [457 mm] Ducts)
Filter Kit	RRNL-/RRPL-/RRRL-	RXRY-B01
Sideflow Rectangular to Round Transition	RRNL-/RRPL-/RRRL-	RXMC-BA01
LP Conversion Kits	RRNL-/RRPL-/RRRL-C (2 Stage)	RXGJ-EP84W (White-Rodgers Gas Valve) RXGJ-EP85H (Honeywell Gas Valve) RXGJ-FP25
Low Ambient Control	RRNL-/RRPL-/RRRL-	RXRZ-B01
High Pressure Control	RRNL-/RRPL-/RRRL- <sup>2</sup>	RXAB-E01
Low Pressure Control	RRNL-/RRPL-/RRRL- <sup>2</sup>	RXAC-C01
Canadian High Altitude Kit (for Natural Gas only <sup>1</sup> )	RRNL-/RRPL-/RRRL-	RXRZ-AH01
Dehumidistat	RRRL-	41-25066-02 (Available through PROSTOCK)

<sup>1</sup> If a particular unit is to be converted to operate on LP (propane) for elevations above 2000 ft. [609.6 m] in Canada, the existing Natural Gas to LP Conversion Kits for the subject models already contain the necessary orifices and instructions to de-rate the input for 2000-4500 ft. [609.6-1371.6 m] Canadian applications.

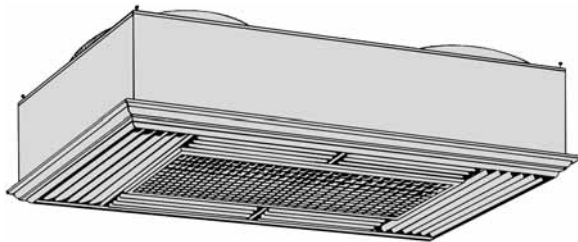
<sup>2</sup> High and low pressure switches are standard for RRRL Models and for RRPL 5 Ton models.

[ ] Designates Metric Conversions

## COMMON SUPPLY/RETURN CONCENTRIC AIR DIFFUSER



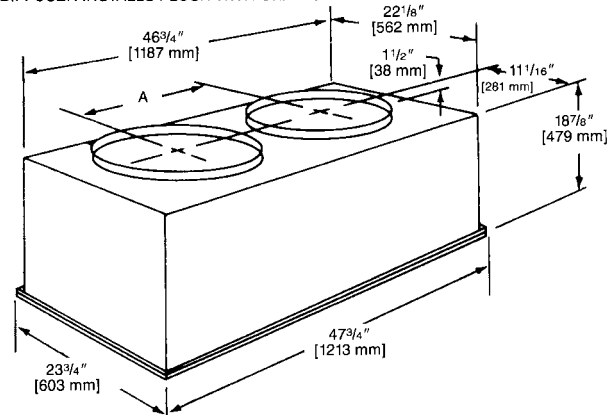
## SUPPLY/RETURN DIFFUSER



Designed to convert a side by side or an over and under arrangement into a concentric distribution of air. The diffuser is flush mounted, completely insulated, assembled, and internally baffled to provide four way supply air distribution with a center return. To make the assembly complete and ready to fit into a 2' [0.61 m] x 4' [1.22 m] suspended ceiling grid, the diffuser includes adjustable supply louvers, hanging rings, anti-sweat gasket, and round flanges for use with flexible ducts.

Model No.	Diameter Inches [mm]	Shipping Wt. Lbs. [kg]	Dimension A Inches [mm]
RXRN-BD15	16 [406]	90 [40.82]	20 <sup>1</sup> / <sub>2</sub> [521]

DIFFUSER INSTALLS FLUSH WITH CEILING



**NOTE:** The location of the combination supply and return diffuser should not exceed 10 feet [3.05 m] above the floor level for units @ 1000 CFM [472 L/s] or less and 12 [3.66 m] to 14 feet [4.27 m] above the floor level for units with CFM greater than 1000 [472 L/s]. If the diffuser is installed with a greater distance than recommended above, the supply air may become stratified above the required comfort area causing uncomfortable conditions.

## AIRFLOW/PRESSURE DROP INFORMATION (INCHES W.C. [kPa])

Accessory	Approximate CFM [L/s]-Supply Air			
	1300 [614]	1575 [743]	1800 [850]	2200 [1038]
Plenum & Supply/Return Duct	.07 [0.17]	.10 [0.24]	.12 [0.30]	.17 [0.42]
Diffuser	.09 [0.22]	.13 [0.32]	.16 [0.40]	.24 [0.60]
Economizer	.06 [0.15]	.09 [0.22]	.11 [0.27]	.17 [0.42]

## SUPPLY AIR/PERFORMANCE

Diffuser Airflow CFM [L/s]	Range of Throw Ft. [m]
800 [378]-1200 [566]	14 [4.27]-16 [4.88]
1600 [755]-2000 [944]	18 [5.49]-28 [8.53]

## THERMOSTATS



**200-Series \***  
Programmable



**300-Series \***  
Deluxe  
Programmable

**400-Series \***  
Special Applications/  
Programmable



**500-Series \***  
Communicating/  
Programmable

Brand	Descriptor (3 Characters)	Series (3 Characters)	System (2 Characters)	Type (2 Characters)
RHC	- TST	213	UN	MS
RHC=Rheem	TST=Thermostat	200=Programmable 300=Deluxe Programmable 400=Special Applications/ Programmable 500=Communicating/ Programmable	GE=Gas/Electric UN=Universal (AC/HP/GE) MD=Modulating Furnace DF=Dual Fuel CM=Communicating	SS=Single-Stage MS=Multi-Stage

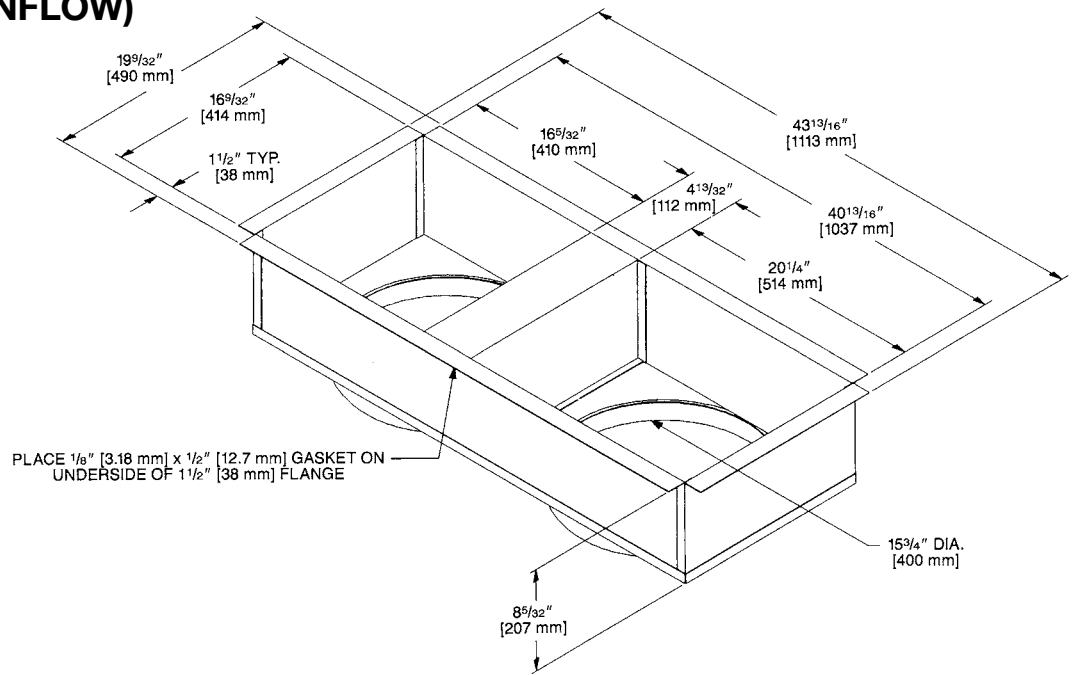
\* Photos are representative. Actual models may vary.

For detailed thermostat match-up information,  
see specification sheet form number T11-001.

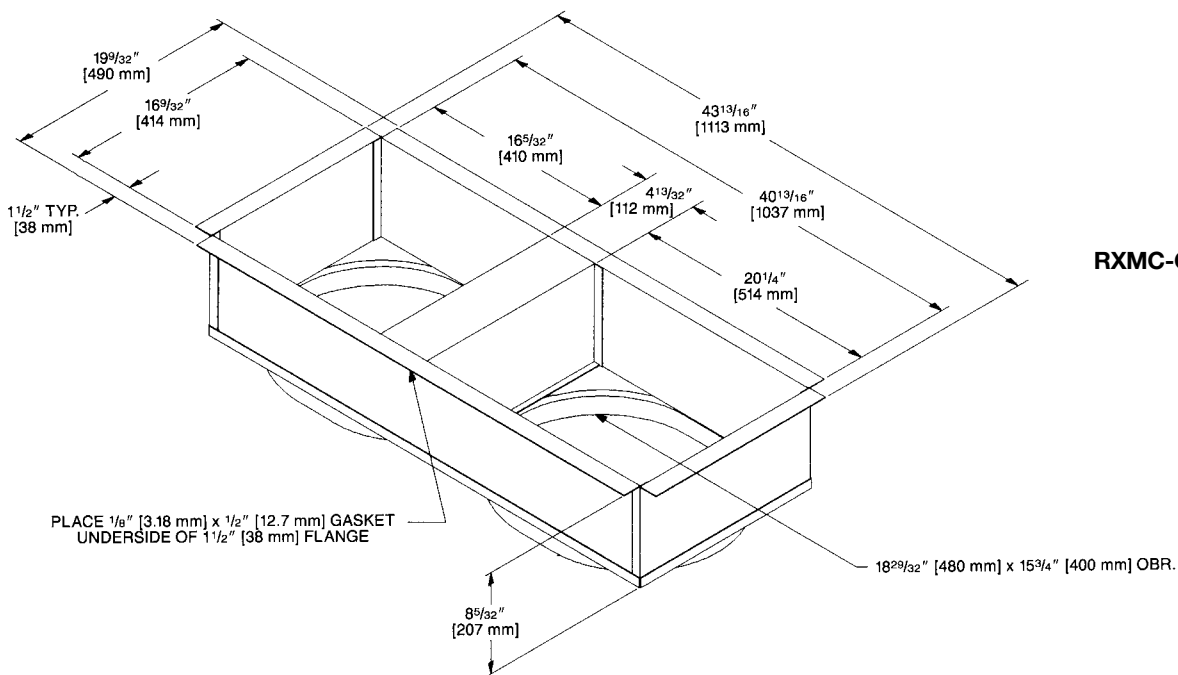


# DUCT ADAPTERS RECTANGULAR TO ROUND TRANSITIONS (DOWNFLOW)

**RXMC-CA02**



**RXMC-CA03**



[ ] Designates Metric Conversions





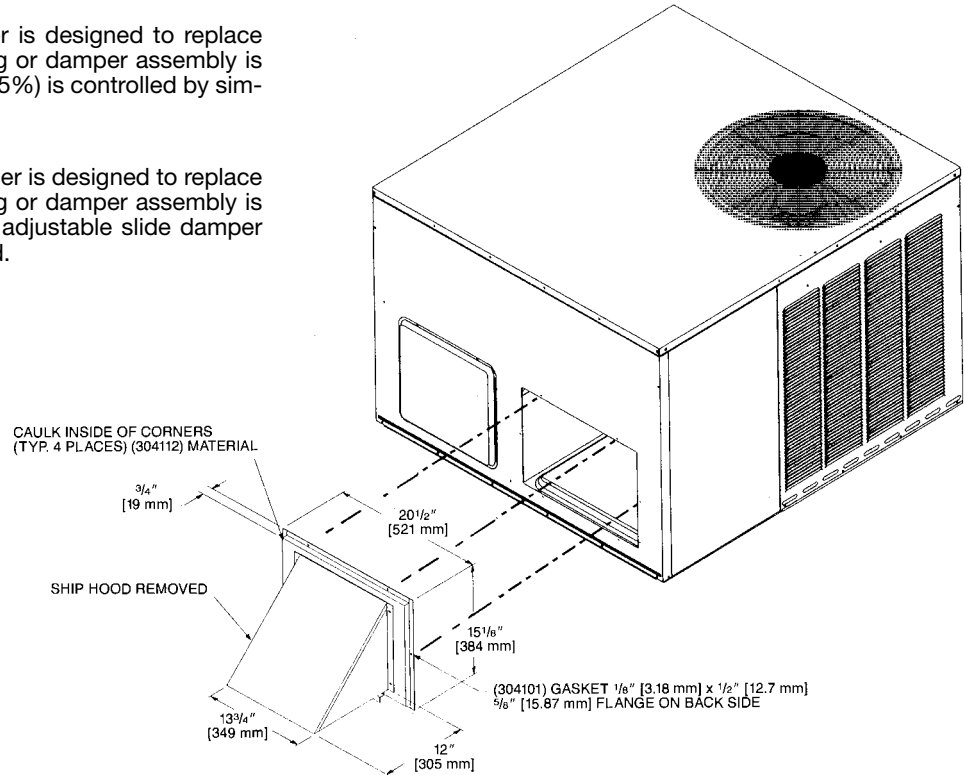
## FRESH AIR DAMPER

### AXRF-FAA1 (Fixed - 0-35%)

The 0-35% manual outside Air Damper is designed to replace the unit return air duct cover. No drilling or damper assembly is required. The amount of outside air (0-35%) is controlled by simply adjusting the side damper.

### AXRF-FAB1 (Motorized - 0-35%)

The 0-35% motorized outside Air Damper is designed to replace the unit return air duct cover. No drilling or damper assembly is required. The control motor opens the adjustable slide damper when the unit blower motor is energized.



## ECONOMIZERS

### RXRE-CAA30 (3 Position) and RXRD-CAM10 (Fully Modulating)

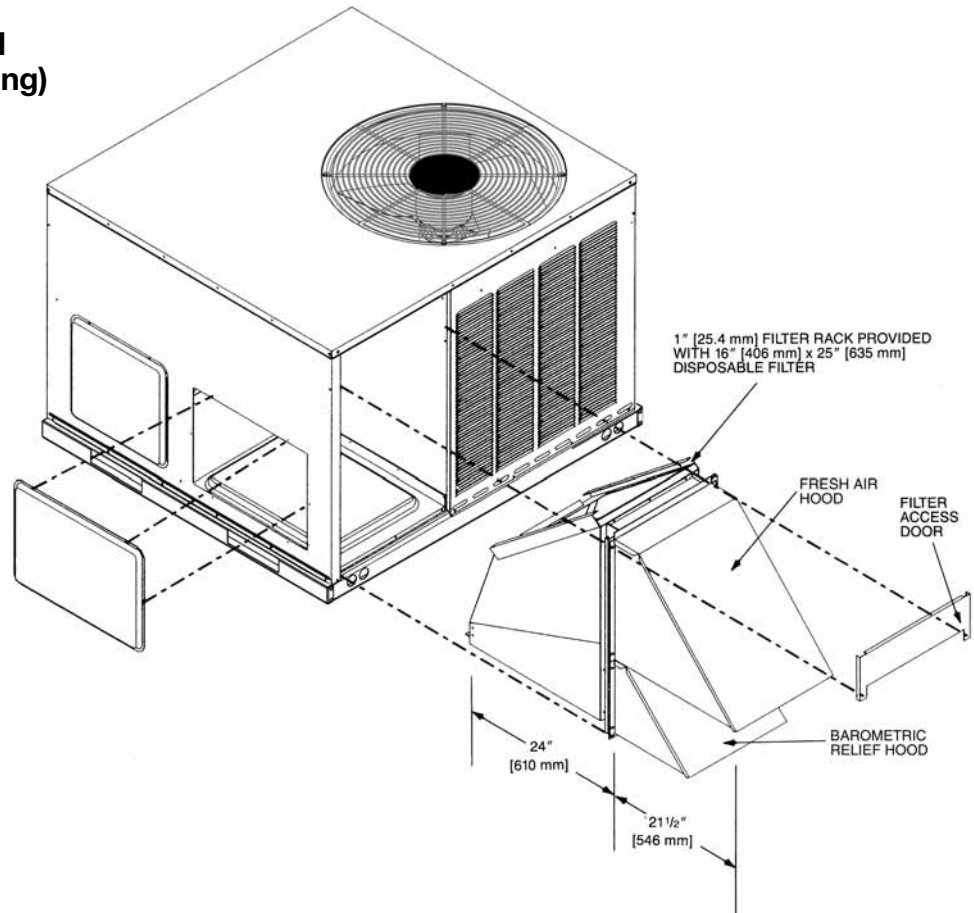
#### AXRE-CAA30 (3 Position)

Provided with enthalpy control, and mixed air sensor. Settings include fully open, fully closed and adjustable mid point.

#### AXRD-CAM10 (Fully Modulating)

Provided with enthalpy control, mixed air sensor and minimum position potentiometer for proportioning (modulating) the amount of fresh air.

**NOTE:** See economizer installation instructions for correct filter access door.



[ ] Designates Metric Conversions





## ECONOMIZERS

### RXRD-CCM10 (Fully Modulating) and RXRE-CCA30 (3 Position)

#### Horizontal Application

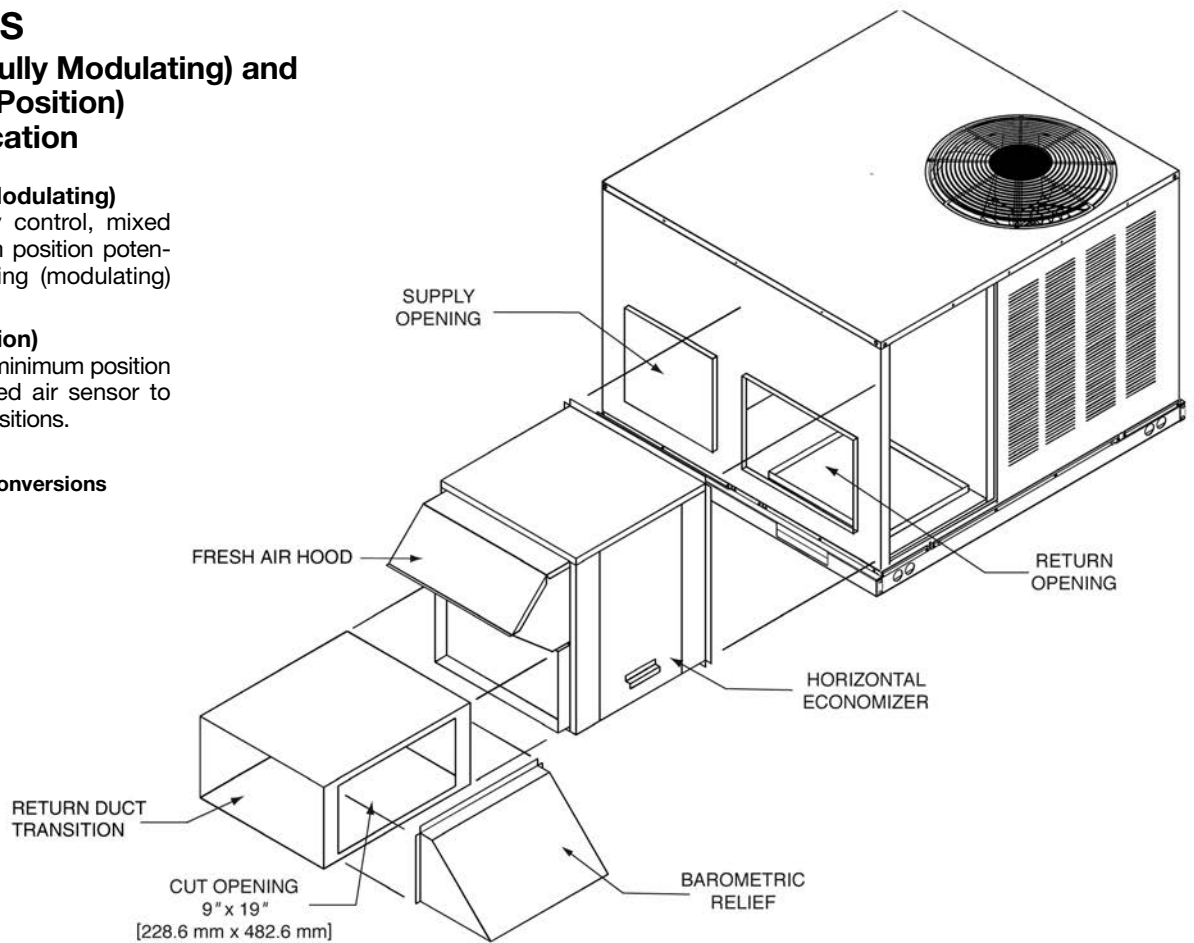
#### AXRD-CCM10 (Fully Modulating)

Provided with enthalpy control, mixed air sensor and minimum position potentiometer for proportioning (modulating) the amount of fresh air.

#### AXRE-CCA30 (3-Position)

Has outdoor air sensor, minimum position potentiometer and mixed air sensor to provide three damper positions.

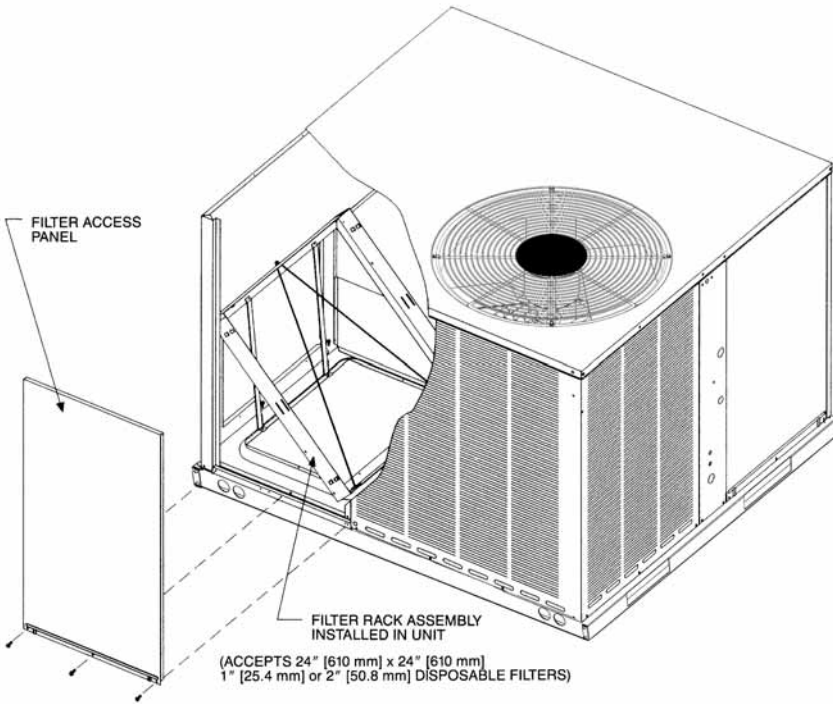
[ ] Designates Metric Conversions



# FILTER KIT INSTALLATION

## RXRY-B01

For use in either vertical or horizontal discharge.



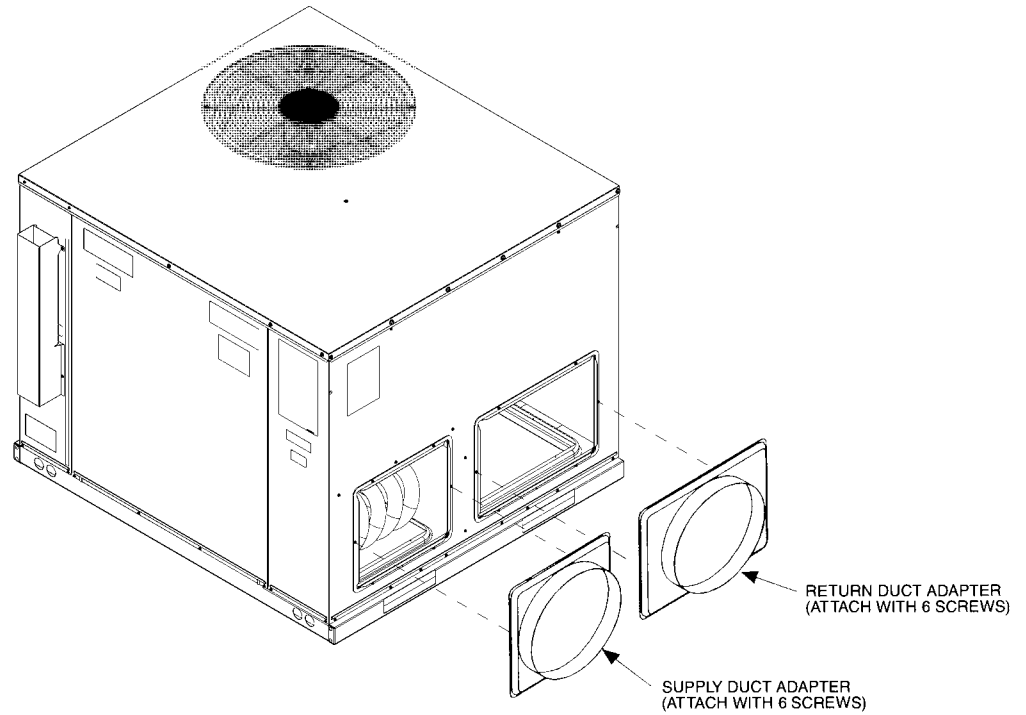
Airflow Pressure Drop, Inches W.C. [kPa]		
CFM [L/s]	1" Filter	2" Filter
500 [236]	.02 [.0050]	.03 [.0075]
600 [283]	.02 [.0050]	.03 [.0075]
700 [330]	.03 [.0075]	.04 [.0101]
800 [378]	.04 [.0101]	.05 [.0124]
900 [425]	.05 [.0124]	.06 [.0149]
1000 [472]	.07 [.0174]	.08 [.0199]
1100 [519]	.08 [.0199]	.09 [.0224]
1200 [566]	.10 [.0249]	.12 [.0299]
1300 [614]	.13 [.0324]	.15 [.0373]
1400 [661]	.16 [.0398]	.19 [.0473]
1500 [708]	.19 [.0473]	.21 [.0523]
1600 [755]	.20 [.0498]	.23 [.0572]
1700 [802]	.21 [.0523]	.24 [.0598]
1800 [850]	.22 [.0548]	.25 [.0623]
1900 [897]	.24 [.0598]	.27 [.0672]
2000 [944]	.26 [.0647]	.29 [.0722]

[ ] Designates Metric Conversions

## DUCT ADAPTER SIDEFLOW SQUARE TO ROUND TRANSITION RXMC-A01

Adapts the side rectangular supply and return openings to 14" [356 mm] diameter round openings. Adapters provided with same finish as unit and also provided with thermal insulation.

[ ] Designates Metric Conversions

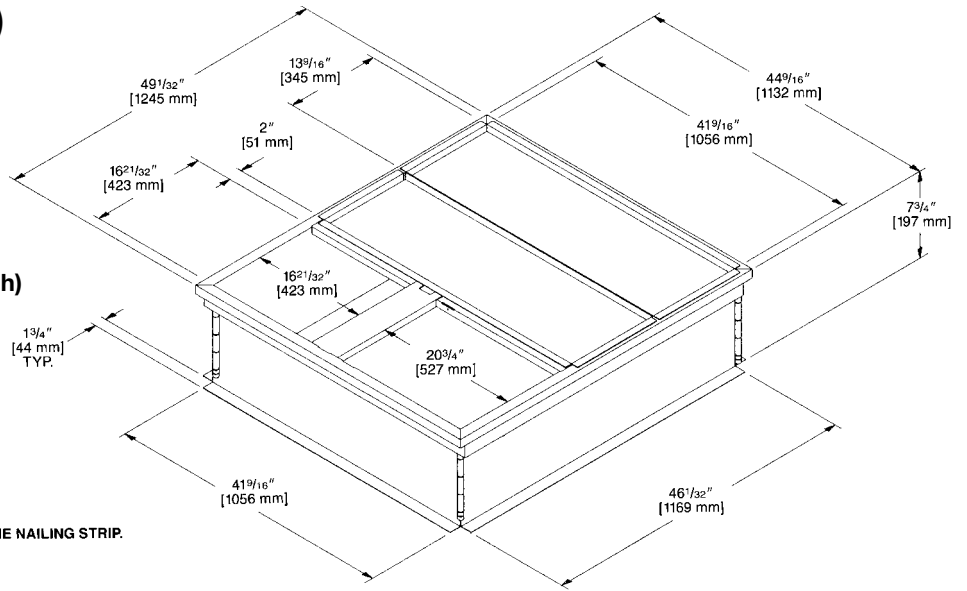


# ROOFCURB (Full Perimeter)

## RXSG-AAA08, RXSG-AAA14 and RXSG-AAA24

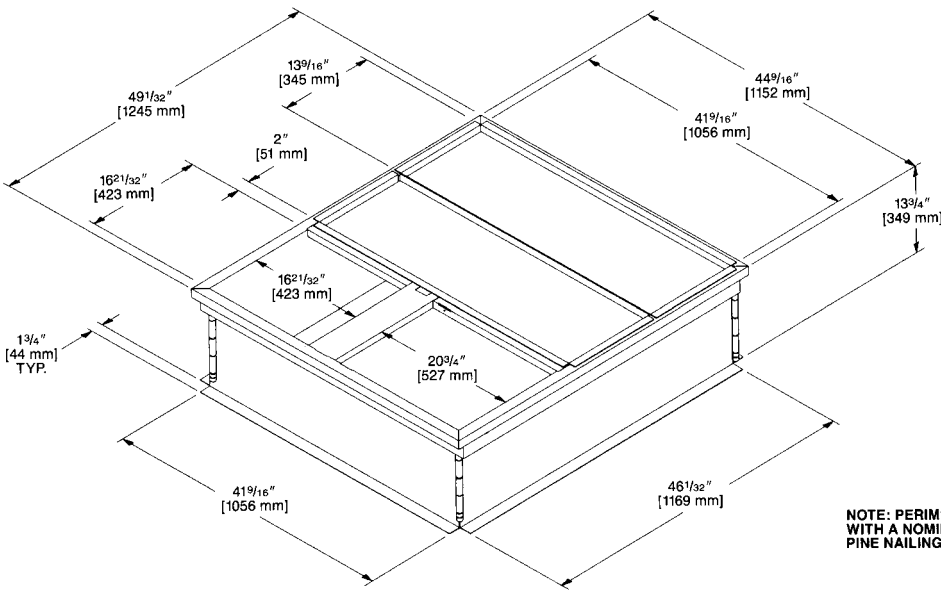
Hinged corners make for fast, easy set-up.

**RXSG-AAA08**  
(8" [203 mm] High)



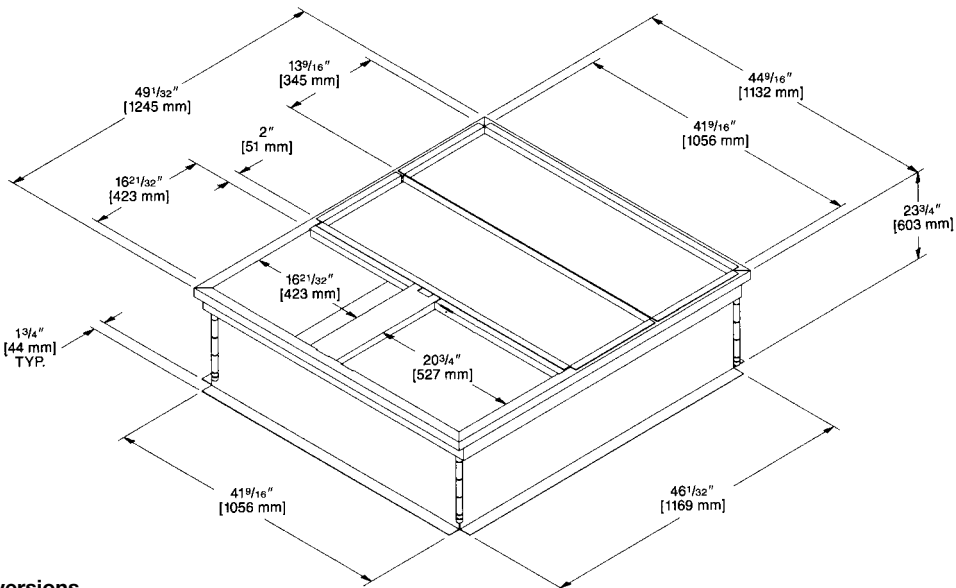
NOTE: PERIMETER OF ROOFCURB IS SUPPLIED WITH A NOMINAL 1" [25.4 mm] x 4" [102 mm] PINE NAILING STRIP.

**RXSG-AAA14**  
(14" [356 mm] High)



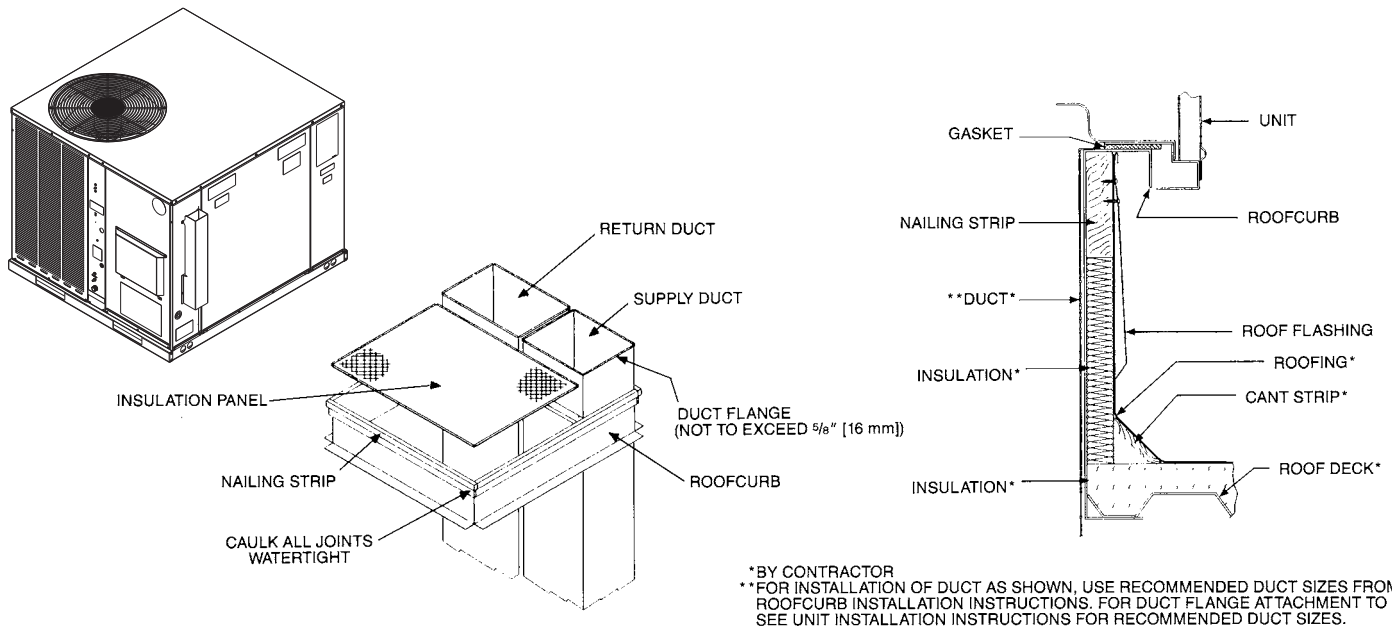
NOTE: PERIMETER OF ROOFCURB IS SUPPLIED WITH A NOMINAL 1" [25.4 mm] x 4" [102 mm] PINE NAILING STRIP.

**RXSG-AAA24**  
(24" [610 mm] High)



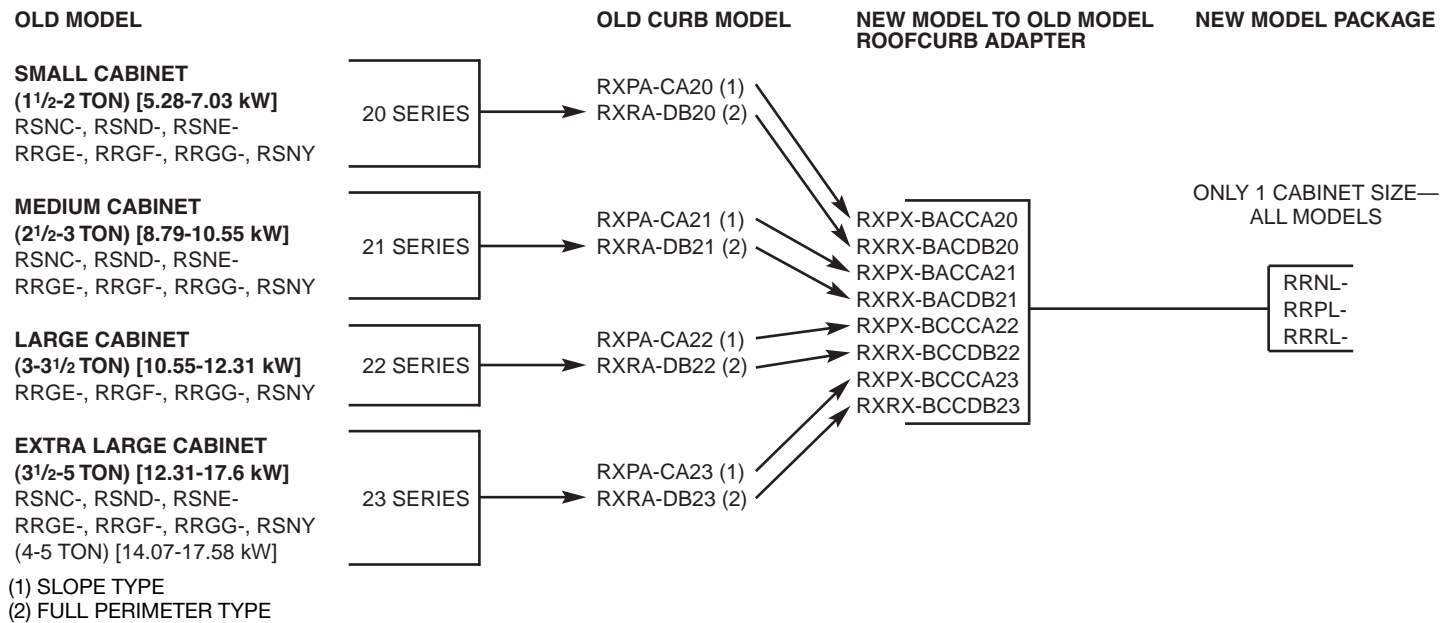
[ ] Designates Metric Conversions

# PACKAGE AIR CONDITIONERS & PACKAGE GAS/ELECTRIC UNITS ROOFCURB INSTALLATION (Full Perimeter)

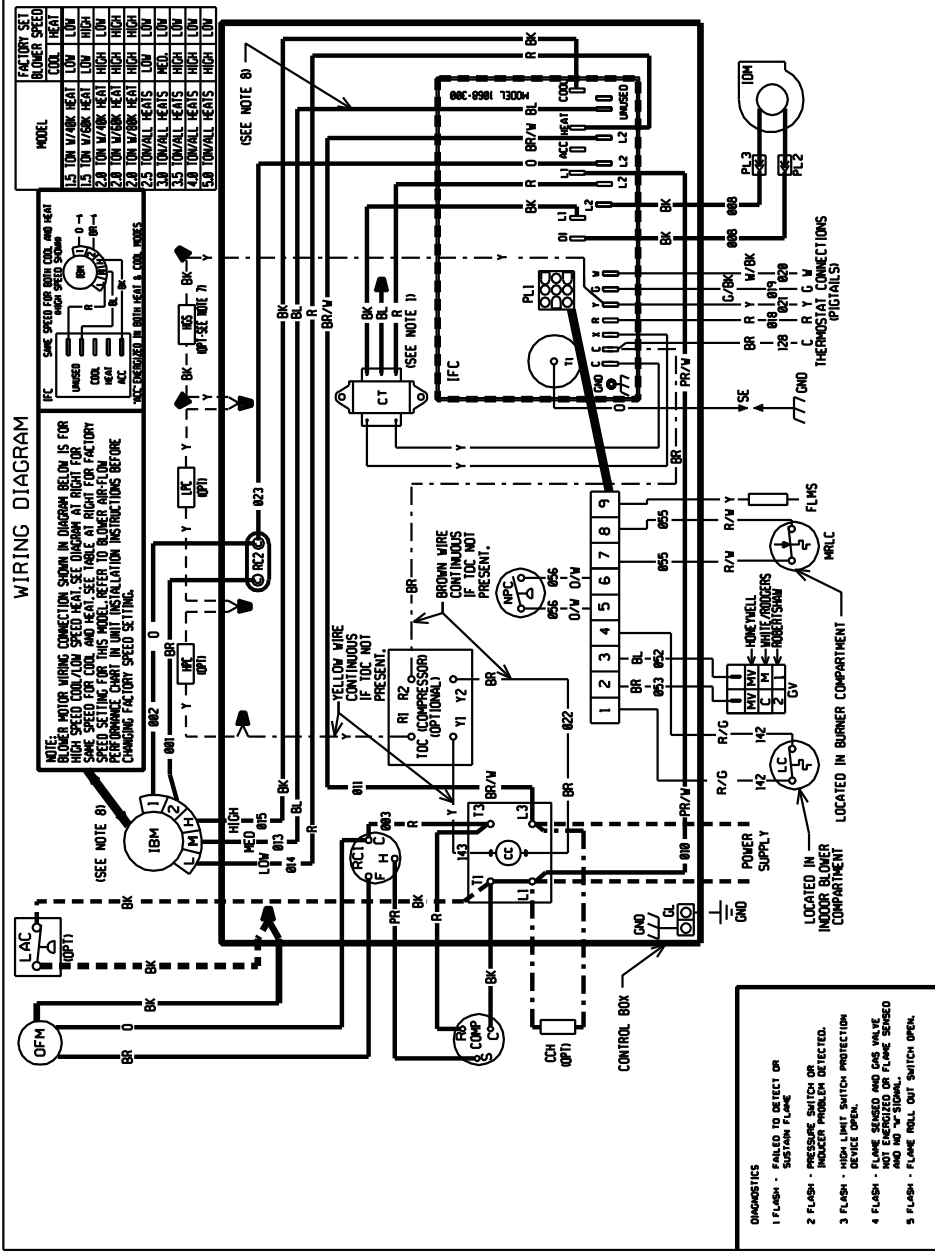
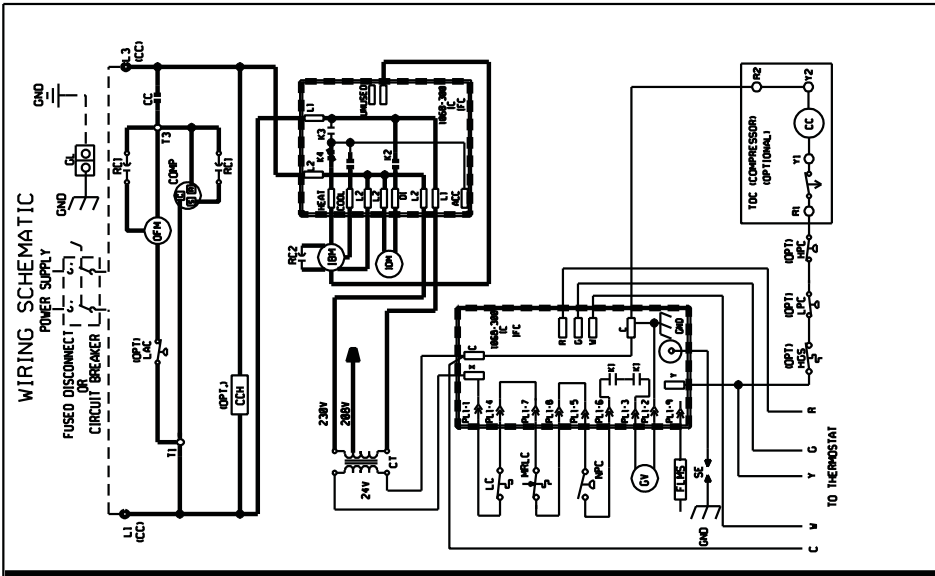


## ROOFCURB ADAPTERS

Fabricated from galvanized steel to adapt the New cabinet to the old style curb. All are furnished with a New gasket.



[ ] Designates Metric Conversions



**WIRE COLOR CODE**

BK	BLACK
BR	BROWN
BL	BLUE
C	GREEN
GY	GRAY
O	ORANGE
P	PURPLE
R	RED
W	WHITE
Y	YELLOW

**ELECTRICAL WIRING DIAGRAM**

1.5 - 5.0 TON GAS/ELECTRIC  
W/INTEGRATED FURNACE CONTROL  
W/PSC BLOWER MOTOR  
208/230V, 1 - PHASE

DR. BY: AMF/PB  
APP. BY: DATE: 08-1-95  
DWG. NO.: 90-23626-04  
REV: 10

**WIRING INFORMATION**

LINE VOLTAGE  
-FACTORY STANDARD  
-FACTORY OPTION  
-FIELD INSTALLED  
LOW VOLTAGE  
-FACTORY STANDARD  
-FACTORY OPTION  
-REPLACE WIRE  
-FIELD INSTALLED

REPLACEMENT WIRE  
-MUST BE THE SAME SIZE AND TYPE OF INSULATION AS ORIGINAL (105 C.MIN.)  
WARNING  
-CABINET MUST BE PERMANENTLY GROUNDED AND CONFORM TO I.E.C., N.E.C., C.E.C., NATIONAL WIRING REGULATIONS, AND LOCAL CODES AS APPLICABLE.

- NOTES:**
1. MAIN UNIT TRANSFORMER PRIMARY LEADS:  
60 HZ - COMMON BLUE-208 V BLACK-230 V INTER-CHANGE BLACK & BLUE LEADS FOR 208 V TRANSFORMER OPERATION.  
2. CONDENSERS ARE AVAILABLE FOR USE WITH COPPER CONDUCTORS ONLY.  
3. CONDENSERS ONLY.  
4. CONNECT TO 60 HZ FUSED DISCONNECT.  
5. LOW VOLTAGE CIRCUIT IS N.E.C. CLASS 2 WITH 4 CLASS 2 TRANSFORMER 24 VOLT, 50/60 HZ.  
6. REPLACEMENT FUSES MUST BE SAME TYPE & SIZE AS ORIGINAL.  
7. COMPRESSORS ONLY.  
8. MED. BLOWER SPEED AND BLUE MOTOR LEAD ON 2.5 - 4.0 TON MODELS ONLY.

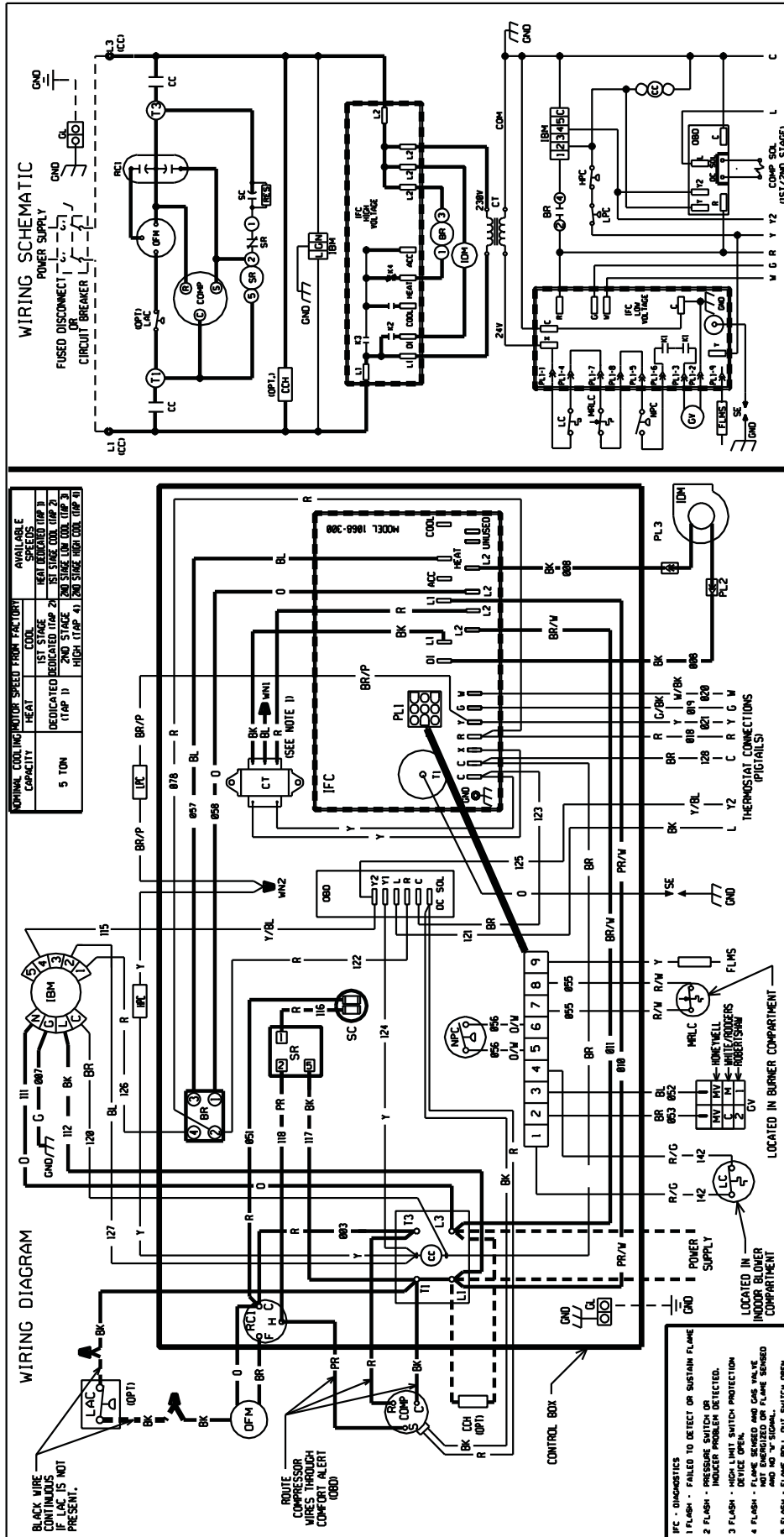
**COMPONENT CODE**

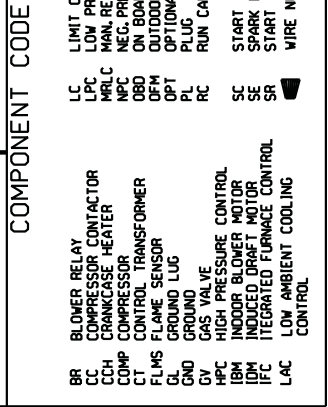
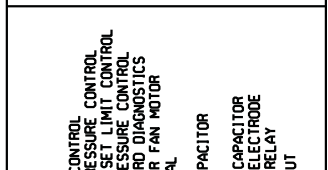
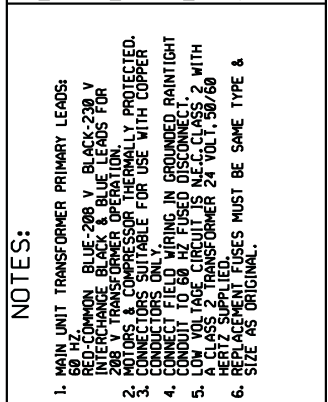
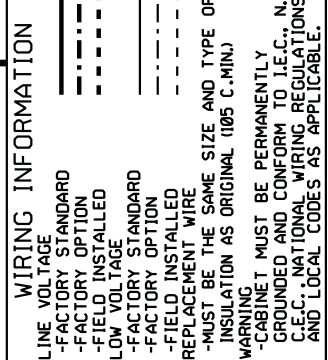
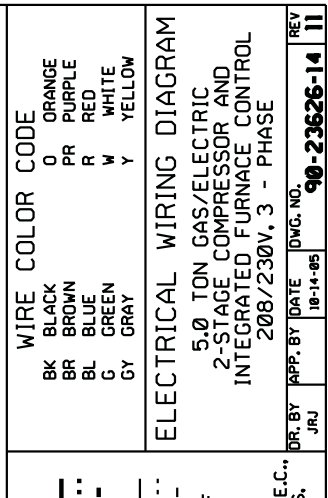
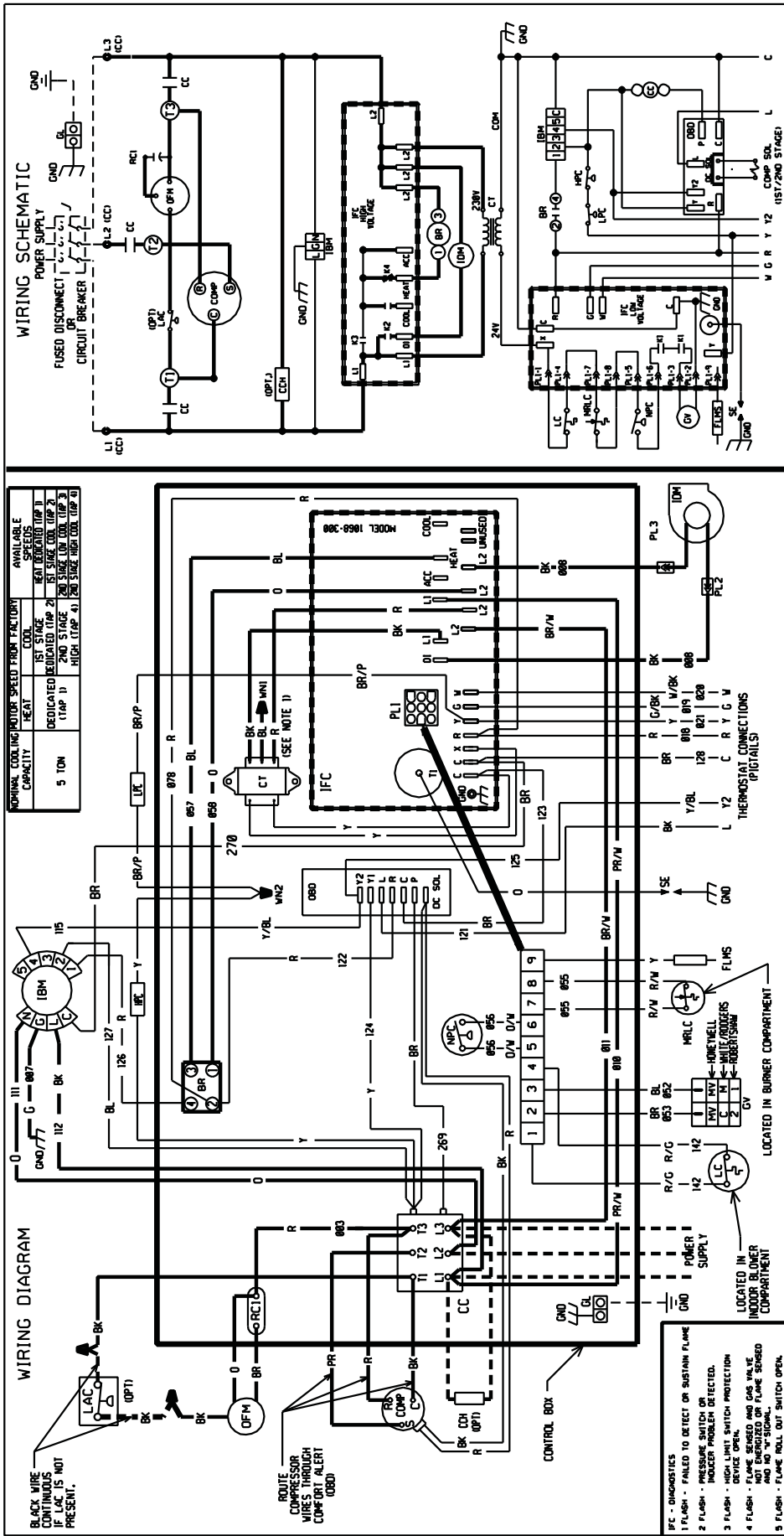
LPC	LOW PRESSURE CONTROL
MRLC	MAN RESET LIMIT CONTROL
NPC	NEG. PRESSURE CONTROL
OFM	OUTDOOR FAN MOTOR
OPT	OPTIONAL
PLC	PRESSURE LIMIT CONTROL
PL	PISTON LEAKAGE CONTROL
R/C	RUN CAPACITOR
SE	SPARK ELECTRODE
TDC	TIME DELAY CONTROL
W/NUT	WIRE NUT

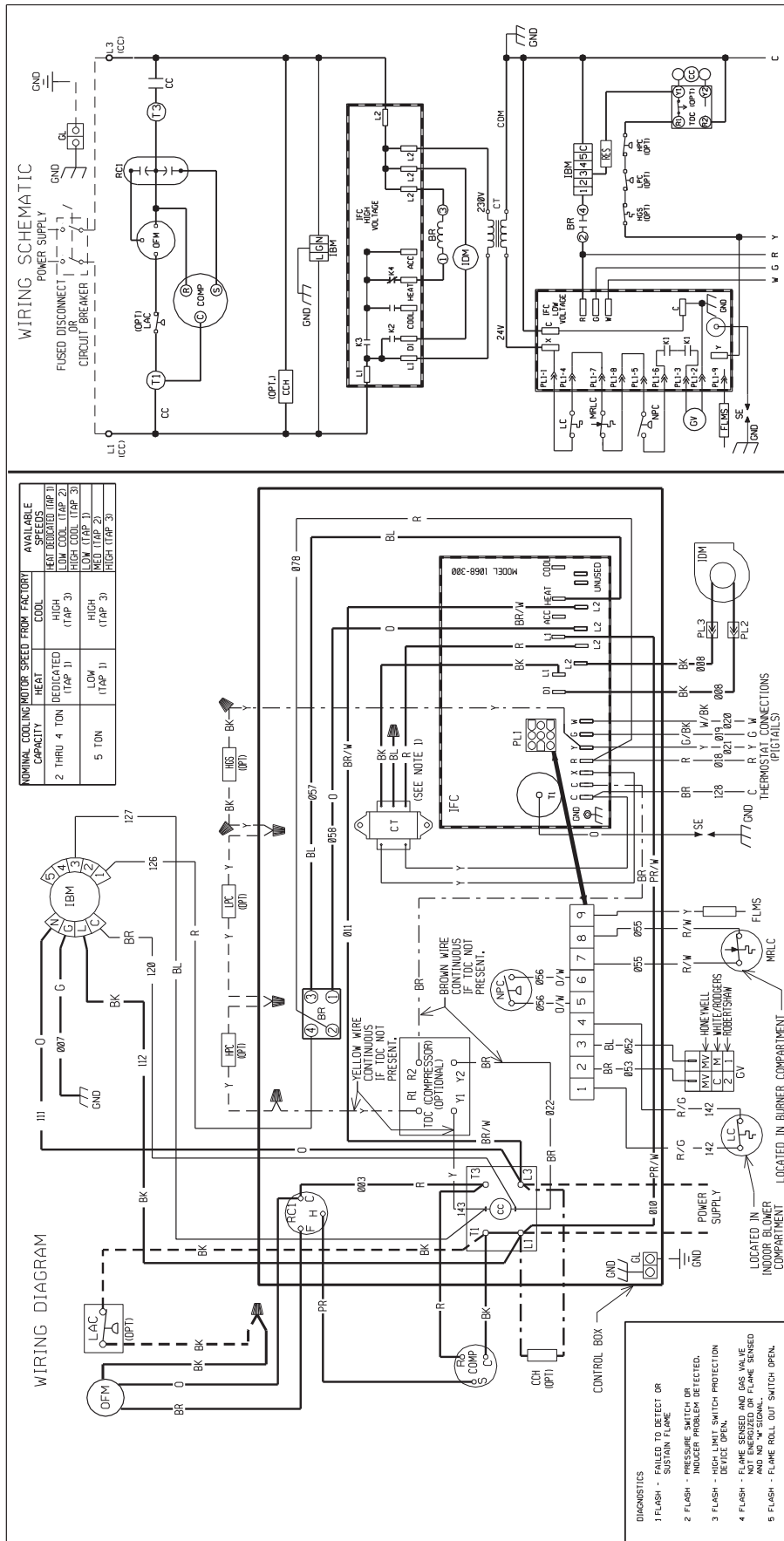
CC	COMPRESSOR CONTACTOR
CCH	CRANKCASE HEATER
COMP	COMPRESSOR
CT	CONTROL TRANSFORMER
FLMS	FLAME SENSOR
GL	GROUND LUG
GND	GROUND
GV	GAS VALVE
HPC	HIGH PRESSURE CONTROL
IBM	INDOOR BLOWER MOTOR
INDUC	INDUCED DRAFT MOTOR
IFC	INTEGRATED FURNACE CONTROL
HGS	HOT GAS SENSOR
LAC	LOW AMBIENT COOLING CONTROL
LC	LIMIT CONTROL



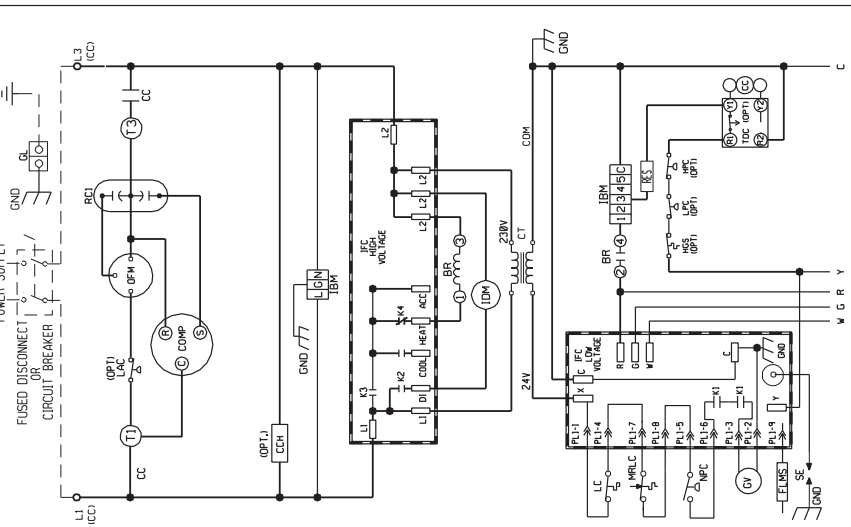




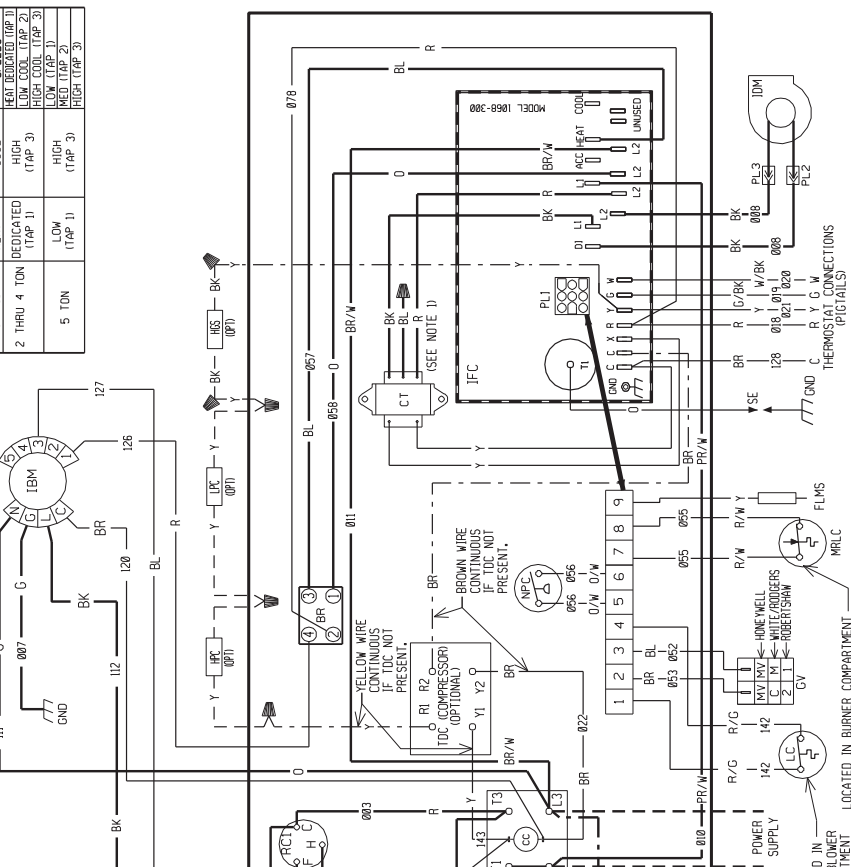




WIRING SCHEMATIC



WIRING DIAGRAM



**WIRING INFORMATION**

LINE VOLTAGE  
-FACTORY STANDARD  
-FACTORY OPTION  
-FIELD INSTALLED

LOW VOLTAGE  
-FACTORY STANDARD  
-FACTORY OPTION  
-FIELD INSTALLED

REPLACEMENT WIRE  
-MUST BE THE SAME SIZE AND TYPE OF INSULATION AS ORIGINAL (1005 C MIN.)

WARNING  
-CABINET MUST BE PERMANENTLY GROUNDED AND CONFORM TO I.E.C., N.E.C., C.E.C. AND LOCAL CODES AS APPLICABLE.

**COMPONENT CODE**

BR BLOWER RELAY  
LPC LOW PRESSURE CONTROL  
MRLC MAIN RESET LIMIT CONTROL  
NPC NEG. PRESSURE CONTROL  
OFM OUTDOOR FAN MOTOR  
OPT OPTIONAL  
PLC PLUS  
RC RUN CAPACITOR  
GAS VALVE  
HPC HIGH PRESSURE CONTROL  
IBM INDOOR BLOWER MOTOR  
IDM INDUCED DRAFT MOTOR  
IFC INTEGRATED FURNACE CONTROL  
HGS HOT GAS SENSOR  
LAC LOW AMBIENT COOLING CONTROL

**NOTES:**

1. MAIN UNIT TRANSFORMER PRIMARY LEADS: 60 HZ COMMON BLUE-208 V. BLACK-230 V. INTERCHANGE BLACK & BLUE LEADS FOR 208 V. TRANSFORMER OPERATION.
2. MOTORS & COMPRESSOR THERMALLY PROTECTED. MOTORS & COMPRESSOR AVAILABLE FOR USE WITH COPPER CONDUCTORS ONLY.
3. CONNECT FIELD WIRING IN GROUNDED RAIN-TIGHT CONDUIT TO 60 HZ FUSED DISCONNECT.
4. LOW VOLTAGE CIRCUIT IS N.E.C. CLASS 2 WITH HEAT SHIELDING.
5. REPLACEMENT FUSES MUST BE SAME TYPE & SIZE AS ORIGINAL.

**DIAGNOSTICS**

- 1 FLASH - FAILED TO DETECT OR SUSTAIN FLAME
- 2 FLASH - PRESSURE SWITCH OR INDOOR PROBLEM DETECTED.
- 3 FLASH - HIGH LIMIT SWITCH PROTECTION DEVICE OPEN.
- 4 FLASH - FLAME SENSED AND GAS VALVE NOT ENERGIZED OR FLAME SENSED AND NO "W" SIGNAL.
- 5 FLASH - FLAME ROLL OUT SWITCH OPEN.

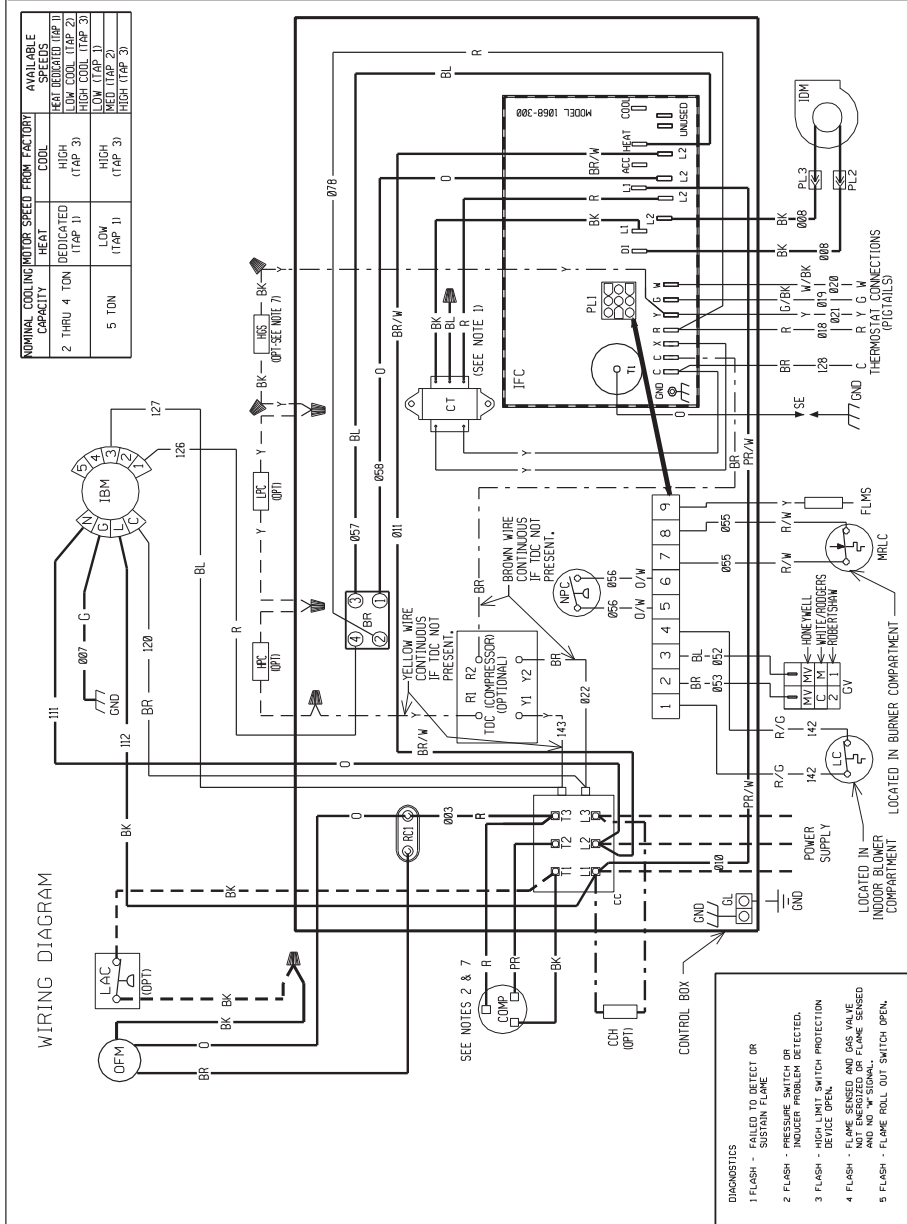
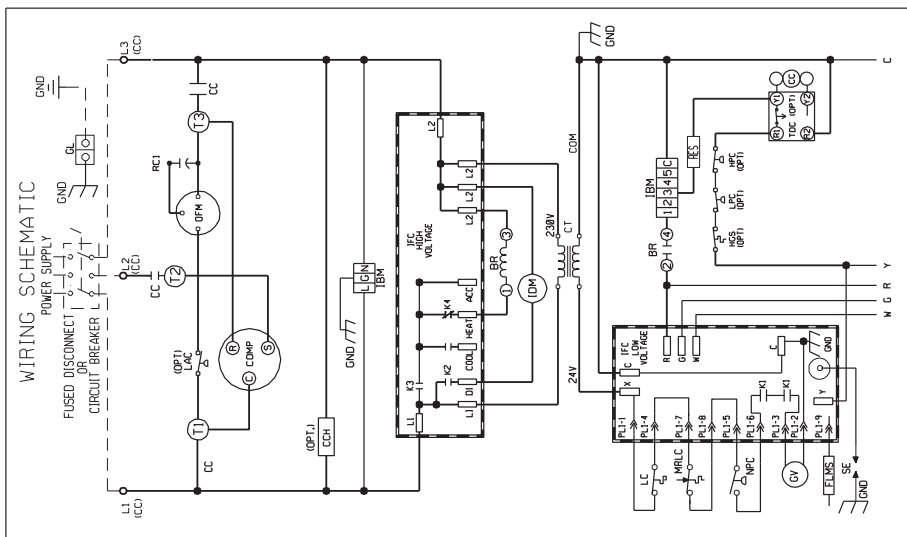
**WIRE COLOR CODE**

BK BLACK  
BR BROWN  
BL BLUE  
G GREEN  
GY GRAY  
O ORANGE  
PK PINK  
PR PURPLE  
R RED  
W WHITE  
Y YELLOW

**ELECTRICAL WIRING DIAGRAM**

2.0-5.0 TON SINGLE STAGE GAS/ELECTRIC W/X-13 BLOWER MOTOR AND INTEGRATED FURNACE CONTROL 208/230V, 1 - PHASE

DWG. NO. 90-23626-11  
REV 07



### WIRE COLOR CODE

BK	BLACK	GY	GRAY	R	RED
BR	BROWN	O	ORANGE	W	WHITE
BL	BLUE	PK	PINK	Y	YELLOW
G	GREEN	PR	PURPLE		

### ELECTRICAL WIRING DIAGRAM

3.0-5.0 TON SINGLE STAGE GAS/ELECTRIC W/X-13 BLOWER MOTOR AND INTEGRATED FURNACE CONTROL 208/230V, 3 - PHASE

DR. BY: JRU  
APP. BY: DATE: 9-26-05  
DWG. NO.: 90-23626-12  
REV: 06

### WIRING INFORMATION

LINE VOLTAGE

- FACTORY STANDARD
- FACTORY OPTION
- FIELD INSTALLED

LOW VOLTAGE

- FACTORY STANDARD
- FIELD INSTALLED

REPLACEMENT WIRE

- MUST BE THE SAME SIZE AND TYPE OF INSULATION AS ORIGINAL (105 C MIN.)
- CABINET MUST BE PERMANENTLY GROUNDED AND CONFORM TO I.E.C., N.E.C., C.E.C. AND LOCAL CODES AS APPLICABLE.

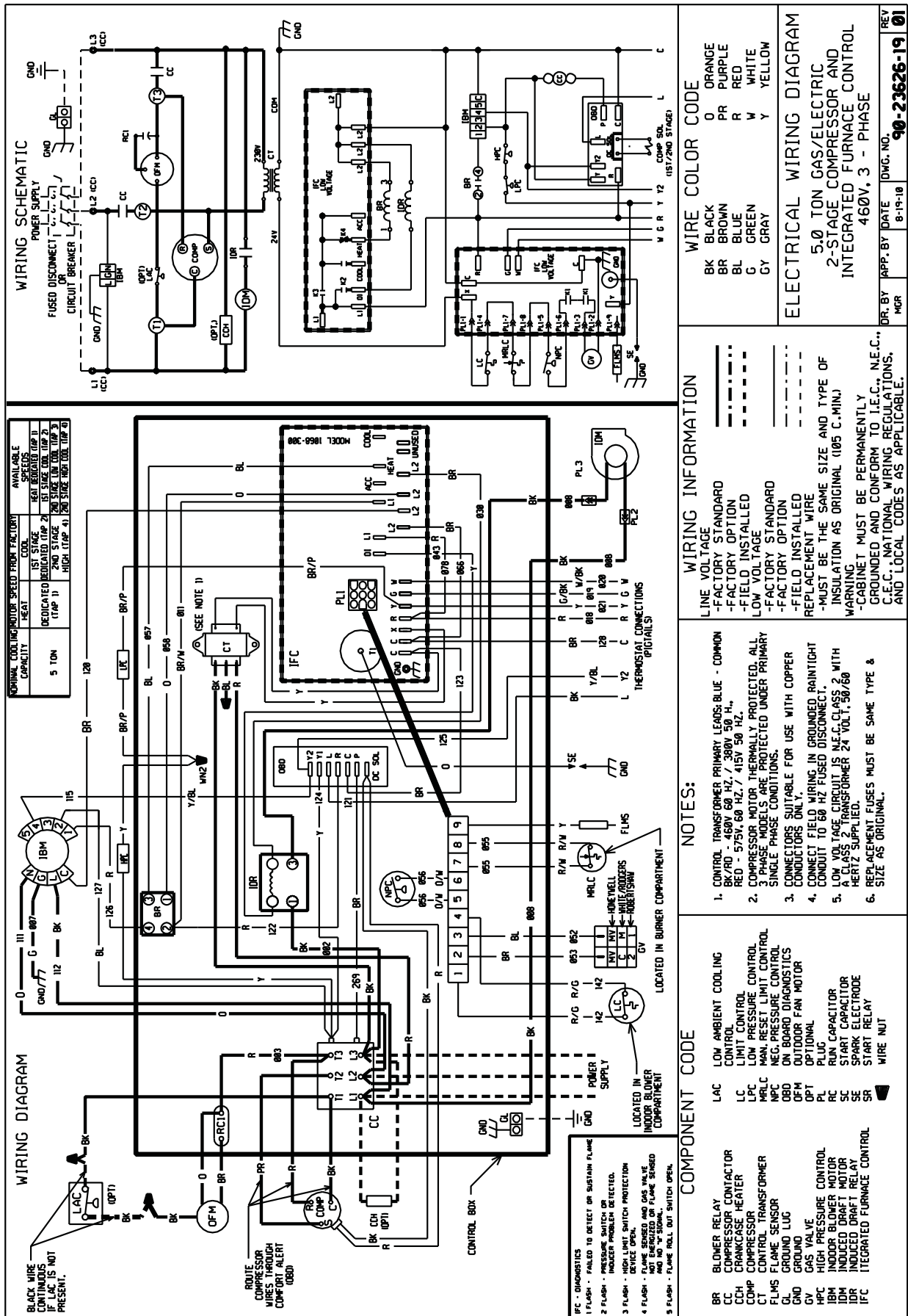
### NOTES:

- MAIN UNIT TRANSFORMER PRIMARY LEADS: 60 HZ. RED-COMMON BLUE-208 V. BLACK-230 V. IN RE-CHANGES BLACK & BLUE LEADS FOR MOTORS & COMPRESSOR THERMALLY PROTECTED. CONNECTORS SUITABLE FOR USE WITH COPPER.
- CONNECTORS ONLY.
- CONNECT FIELD WIRING IN GROUNDED PAINTIGHT LOW VOLTAGE CIRCUIT USED IN CONNECTIONS.
- LOW VOLTAGE CIRCUIT USED IN CONNECTIONS. 2 WITH A CLASS 2 TRANSFORMER 24 VOLT, 50/60 HERTZ SUPPLIED.
- REPLACEMENT FUSES MUST BE SAME TYPE & SIZE AS ORIGINAL.
- WIRING AS SHOWN UNDER SINGLE PHASE CONDITIONS.

### COMPONENT CODE

LC	LIMIT CONTROL
LPC	LOW PRESSURE CONTROL
MRLC	MAN. RESET LIMIT CONTROL
COMP	COMPRESSOR
CT	CONTROL TRANSFORMER
FLMS	FLAME SENSOR
BL	GROUND LUG
GND	GROUND
RC	RUN CAPACITOR
RES	RESISTOR
GV	GAS VALVE
HPC	HIGH PRESSURE CONTROL
IBM	INDOOR BLOWER MOTOR
IDM	INDUCED DRAFT MOTOR
IFC	INTEGRATED FURNACE CONTROL
HCS	HOT GAS SENSOR
LAC	LOW AMBIENT COOLING CONTROL

DWG. NO.: 90-23626-12  
REV: 06



NOMINAL COOL MOTOR SPEED FROM FACTORY		AVAILABLE SPEEDS	
CAPACITY	HEAT	1ST STAGE	HEAT RECOVERY (HP 1)
5 TON	DECLARATED REFRIGERANT TYPE 2	200 STAGE	200 STAGE
	DECLARATED REFRIGERANT TYPE 3	200 STAGE	200 STAGE
	HIGH (11HP 31) / LOW (11HP 31)	200 STAGE	200 STAGE

WIRING SCHEMATIC	
POWER SUPPLY	FUSED DISCONNECT OR CIRCUIT BREAKER
L1 (CC)	L2 (CC)
L3 (CC)	GND

WIRING DIAGRAM	
BLACK WIRE CONTINUOUS IF LAC IS NOT PRESENT.	ROUTINE COMPRESSOR WIRES THROUGH COMPONENT ALERT (OBD)

WIRING SCHEMATIC	
POWER SUPPLY	FUSED DISCONNECT OR CIRCUIT BREAKER
L1 (CC)	L2 (CC)
L3 (CC)	GND

WIRING SCHEMATIC	
POWER SUPPLY	FUSED DISCONNECT OR CIRCUIT BREAKER
L1 (CC)	L2 (CC)
L3 (CC)	GND

**COMPONENT CODE**

- BR BLOWER RELAY
- CC COMPRESSOR CONTACTOR
- CCH CRANKCASE HEATER
- CCM COMPRESSOR MOTOR
- CT CONTROL TRANSFORMER
- FLMS FLAME SENSOR
- GL GROUND LUG
- GND GROUND
- GV GAS VALVE
- HPC HIGH PRESSURE CONTROL
- IBM INDOOR BLOWER MOTOR
- IRB INDOOR BLOWER RELAY
- IRP INDOOR PRESSURE CONTROL
- IFC INTEGRATED FURNACE CONTROL

**NOTES:**

- CONTROL TRANSFORMER PRIMARY LEADS: BLUE - COMMON BK/RD - 460V 60 HZ, 7.380V 50 HZ, RED - 575V, 60 HZ, 7.415V 50 HZ.
- COMPRESSOR MOTOR THERMALLY PROTECTED. ALL 3 PHASE MODELS ARE PROTECTED UNDER PRIMARY SINGLE PHASE CONDITIONS.
- CONNECTORS SUITABLE FOR USE WITH COPPER CONDUCTORS ONLY.
- CONNECT FIELD WIRING IN GROUNDED PAINTIGHT CONDUIT TO 60 HZ FUSED DISCONNECT.
- LOW VOLTAGE CIRCUIT IS N.E.C. CLASS 2 WITH A CLASS 2 TRANSFORMER 24 VOLT, 50/60 HERTZ SUPPLIED.
- REPLACEMENT FUSES MUST BE SAME TYPE & SIZE AS ORIGINAL.

**WIRING INFORMATION**

- LINE VOLTAGE
- FACTORY STANDARD
- FACTORY OPTION
- FIELD INSTALLED
- LOW VOLTAGE
- FACTORY STANDARD
- FACTORY OPTION
- FIELD INSTALLED
- REPLACEMENT WIRE
- MUST BE THE SAME SIZE AND TYPE OF INSULATION AS ORIGINAL (105 C-MIN.)
- WARNING
- CABINET MUST BE PERMANENTLY GROUNDED AND CONFORM TO I.E.C., N.E.C., C.E.C. NATIONAL WIRING REGULATIONS, AND LOCAL CODES AS APPLICABLE.

**WIRE COLOR CODE**

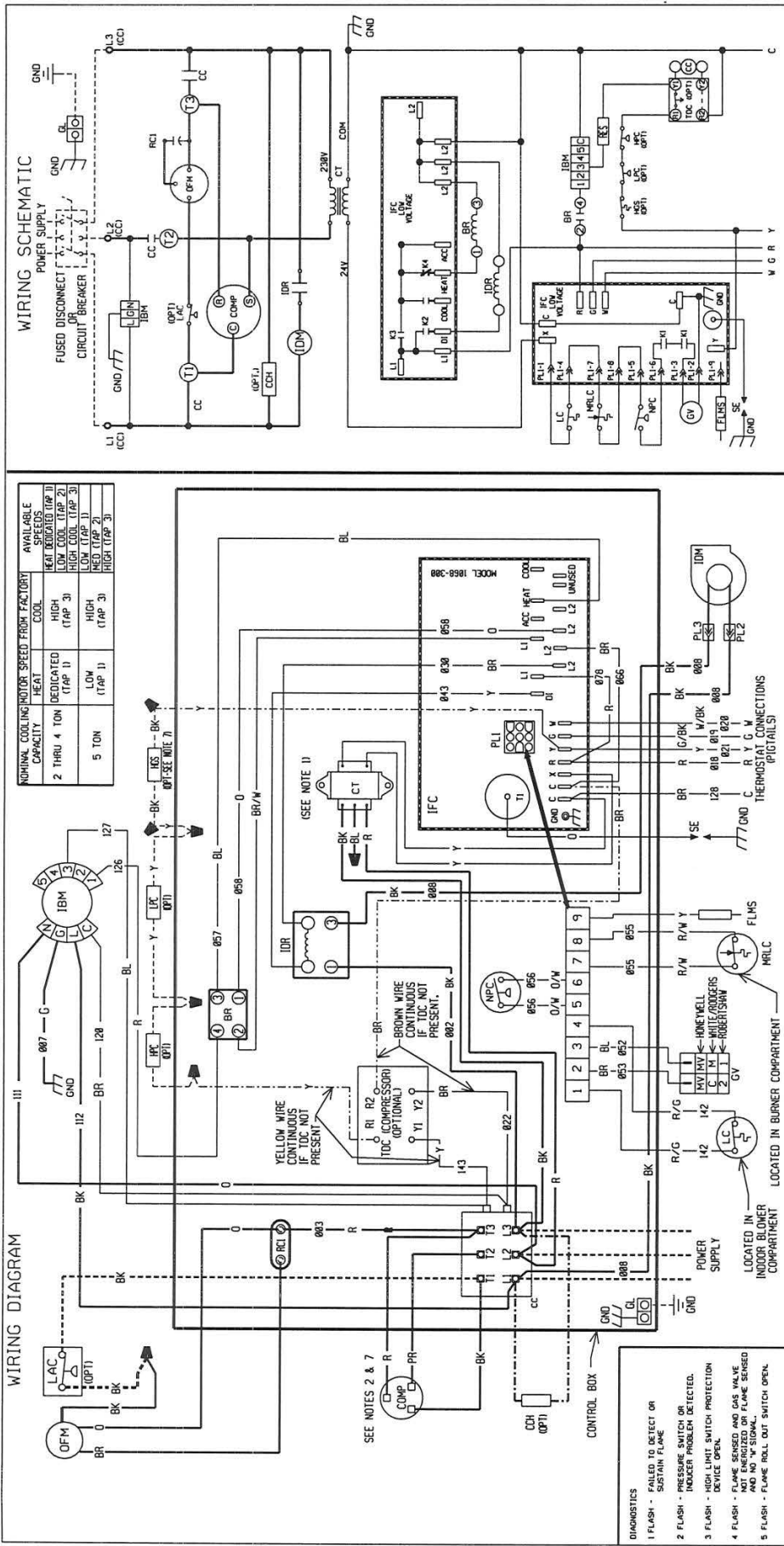
BK	BLACK	OR	ORANGE
BR	BROWN	PR	PURPLE
BL	BLUE	R	RED
G	GREEN	W	WHITE
GY	GRAY	Y	YELLOW

**ELECTRICAL WIRING DIAGRAM**

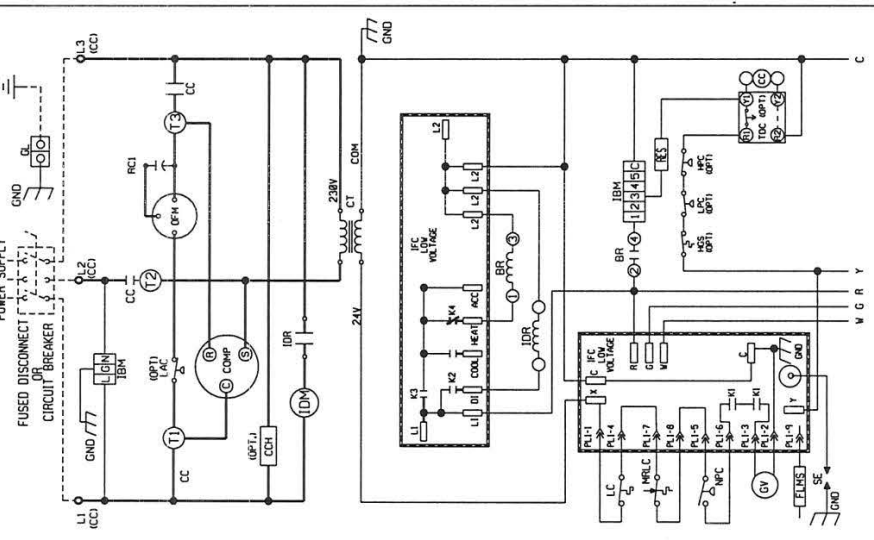
5.0 TON GAS/ELECTRIC  
2-STAGE COMPRESSOR AND  
INTEGRATED FURNACE CONTROL  
460V, 3 - PHASE

DR. BY: MCR    APP. BY: DATE: 8-19-10    DWG. NO. **90-23626-19**    REV **01**





WIRING SCHEMATIC



**WIRING INFORMATION**

LINE VOLTAGE  
-FACTORY STANDARD  
-FACTORY OPTION  
-FIELD INSTALLED

LOW VOLTAGE  
-FACTORY STANDARD  
-FIELD INSTALLED

REPLACEMENT WIRE  
-MUST BE THE SAME SIZE AND TYPE OF INSULATION AS ORIGINAL (105 C MIN.)  
-CABINET MUST BE PERMANENTLY GROUNDED AND CONFORM TO I.E.C., N.E.C., C.E.C. AND LOCAL CODES AS APPLICABLE.

**WIRING COLOR CODE**

BK	BLACK	GY	GRAY	R	RED
BR	BROWN	O	ORANGE	W	WHITE
BL	BLUE	PK	PINK	Y	YELLOW
G	GREEN	PR	PURPLE		

**COMPONENT CODE**

BR	BLOWER RELAY
CC	COMPRESSOR CONTACTOR
CCH	CRANKCASE HEATER
COMP	COMPRESSOR
CT	CONTROL TRANSFORMER
FLMS	FLAME SENSOR
GL	GROUND LUG
GV	GAS VALVE
RC	RUN CAPACITOR
RES	RESISTOR
SE	SPARK ELECTRODE
TDC	TIME DELAY CONTROL
W	WIRE NUT

- NOTES:**
- CONTROL TRANSFORMER PRIMARY LEADS: BLUE - COMMON SECONDARY LEADS: PL1, 2, 3, 4, 5, 6, 7, 8, 9, 10, 11, 12, 13, 14, 15, 16, 17, 18, 19, 20, 21, 22, 23, 24, 25, 26, 27, 28, 29, 30, 31, 32, 33, 34, 35, 36, 37, 38, 39, 40, 41, 42, 43, 44, 45, 46, 47, 48, 49, 50, 51, 52, 53, 54, 55, 56, 57, 58, 59, 60, 61, 62, 63, 64, 65, 66, 67, 68, 69, 70, 71, 72, 73, 74, 75, 76, 77, 78, 79, 80, 81, 82, 83, 84, 85, 86, 87, 88, 89, 90, 91, 92, 93, 94, 95, 96, 97, 98, 99, 100, 101, 102, 103, 104, 105, 106, 107, 108, 109, 110, 111, 112, 113, 114, 115, 116, 117, 118, 119, 120, 121, 122, 123, 124, 125, 126, 127, 128, 129, 130, 131, 132, 133, 134, 135, 136, 137, 138, 139, 140, 141, 142, 143, 144, 145, 146, 147, 148, 149, 150, 151, 152, 153, 154, 155, 156, 157, 158, 159, 160, 161, 162, 163, 164, 165, 166, 167, 168, 169, 170, 171, 172, 173, 174, 175, 176, 177, 178, 179, 180, 181, 182, 183, 184, 185, 186, 187, 188, 189, 190, 191, 192, 193, 194, 195, 196, 197, 198, 199, 200, 201, 202, 203, 204, 205, 206, 207, 208, 209, 210, 211, 212, 213, 214, 215, 216, 217, 218, 219, 220, 221, 222, 223, 224, 225, 226, 227, 228, 229, 230, 231, 232, 233, 234, 235, 236, 237, 238, 239, 240, 241, 242, 243, 244, 245, 246, 247, 248, 249, 250, 251, 252, 253, 254, 255, 256, 257, 258, 259, 260, 261, 262, 263, 264, 265, 266, 267, 268, 269, 270, 271, 272, 273, 274, 275, 276, 277, 278, 279, 280, 281, 282, 283, 284, 285, 286, 287, 288, 289, 290, 291, 292, 293, 294, 295, 296, 297, 298, 299, 300, 301, 302, 303, 304, 305, 306, 307, 308, 309, 310, 311, 312, 313, 314, 315, 316, 317, 318, 319, 320, 321, 322, 323, 324, 325, 326, 327, 328, 329, 330, 331, 332, 333, 334, 335, 336, 337, 338, 339, 340, 341, 342, 343, 344, 345, 346, 347, 348, 349, 350, 351, 352, 353, 354, 355, 356, 357, 358, 359, 360, 361, 362, 363, 364, 365, 366, 367, 368, 369, 370, 371, 372, 373, 374, 375, 376, 377, 378, 379, 380, 381, 382, 383, 384, 385, 386, 387, 388, 389, 390, 391, 392, 393, 394, 395, 396, 397, 398, 399, 400, 401, 402, 403, 404, 405, 406, 407, 408, 409, 410, 411, 412, 413, 414, 415, 416, 417, 418, 419, 420, 421, 422, 423, 424, 425, 426, 427, 428, 429, 430, 431, 432, 433, 434, 435, 436, 437, 438, 439, 440, 441, 442, 443, 444, 445, 446, 447, 448, 449, 450, 451, 452, 453, 454, 455, 456, 457, 458, 459, 460, 461, 462, 463, 464, 465, 466, 467, 468, 469, 470, 471, 472, 473, 474, 475, 476, 477, 478, 479, 480, 481, 482, 483, 484, 485, 486, 487, 488, 489, 490, 491, 492, 493, 494, 495, 496, 497, 498, 499, 500, 501, 502, 503, 504, 505, 506, 507, 508, 509, 510, 511, 512, 513, 514, 515, 516, 517, 518, 519, 520, 521, 522, 523, 524, 525, 526, 527, 528, 529, 530, 531, 532, 533, 534, 535, 536, 537, 538, 539, 540, 541, 542, 543, 544, 545, 546, 547, 548, 549, 550, 551, 552, 553, 554, 555, 556, 557, 558, 559, 560, 561, 562, 563, 564, 565, 566, 567, 568, 569, 570, 571, 572, 573, 574, 575, 576, 577, 578, 579, 580, 581, 582, 583, 584, 585, 586, 587, 588, 589, 590, 591, 592, 593, 594, 595, 596, 597, 598, 599, 600, 601, 602, 603, 604, 605, 606, 607, 608, 609, 610, 611, 612, 613, 614, 615, 616, 617, 618, 619, 620, 621, 622, 623, 624, 625, 626, 627, 628, 629, 630, 631, 632, 633, 634, 635, 636, 637, 638, 639, 640, 641, 642, 643, 644, 645, 646, 647, 648, 649, 650, 651, 652, 653, 654, 655, 656, 657, 658, 659, 660, 661, 662, 663, 664, 665, 666, 667, 668, 669, 670, 671, 672, 673, 674, 675, 676, 677, 678, 679, 680, 681, 682, 683, 684, 685, 686, 687, 688, 689, 690, 691, 692, 693, 694, 695, 696, 697, 698, 699, 700, 701, 702, 703, 704, 705, 706, 707, 708, 709, 710, 711, 712, 713, 714, 715, 716, 717, 718, 719, 720, 721, 722, 723, 724, 725, 726, 727, 728, 729, 730, 731, 732, 733, 734, 735, 736, 737, 738, 739, 740, 741, 742, 743, 744, 745, 746, 747, 748, 749, 750, 751, 752, 753, 754, 755, 756, 757, 758, 759, 760, 761, 762, 763, 764, 765, 766, 767, 768, 769, 770, 771, 772, 773, 774, 775, 776, 777, 778, 779, 780, 781, 782, 783, 784, 785, 786, 787, 788, 789, 790, 791, 792, 793, 794, 795, 796, 797, 798, 799, 800, 801, 802, 803, 804, 805, 806, 807, 808, 809, 810, 811, 812, 813, 814, 815, 816, 817, 818, 819, 820, 821, 822, 823, 824, 825, 826, 827, 828, 829, 830, 831, 832, 833, 834, 835, 836, 837, 838, 839, 840, 841, 842, 843, 844, 845, 846, 847, 848, 849, 850, 851, 852, 853, 854, 855, 856, 857, 858, 859, 860, 861, 862, 863, 864, 865, 866, 867, 868, 869, 870, 871, 872, 873, 874, 875, 876, 877, 878, 879, 880, 881, 882, 883, 884, 885, 886, 887, 888, 889, 890, 891, 892, 893, 894, 895, 896, 897, 898, 899, 900, 901, 902, 903, 904, 905, 906, 907, 908, 909, 910, 911, 912, 913, 914, 915, 916, 917, 918, 919, 920, 921, 922, 923, 924, 925, 926, 927, 928, 929, 930, 931, 932, 933, 934, 935, 936, 937, 938, 939, 940, 941, 942, 943, 944, 945, 946, 947, 948, 949, 950, 951, 952, 953, 954, 955, 956, 957, 958, 959, 960, 961, 962, 963, 964, 965, 966, 967, 968, 969, 970, 971, 972, 973, 974, 975, 976, 977, 978, 979, 980, 981, 982, 983, 984, 985, 986, 987, 988, 989, 990, 991, 992, 993, 994, 995, 996, 997, 998, 999, 1000.

**ELECTRICAL WIRING DIAGRAM**

3.0-5.0 TON SINGLE STAGE GAS/ELECTRIC W/X-13 BLOWER MOTOR AND INTEGRATED FURNACE CONTROL 460V, 3 - PHASE

DR. BY: *MED* APP. BY: DATE: 8-19-10 DWG. NO. 90-23626-20 REV 00









**BEFORE PURCHASING THIS APPLIANCE, READ IMPORTANT ENERGY COST AND EFFICIENCY INFORMATION AVAILABLE FROM YOUR RETAILER.**

**GENERAL TERMS OF LIMITED WARRANTY\***

Rheem will furnish a replacement for any part of this product which fails in normal use and service within the applicable periods stated, in accordance with the terms of the limited warranty.

**Heat Exchanger**

- Factory Standard .....Ten (10) Years
- Stainless Steel/1-Phase & 3-Phase Models
- Commercial Application .....Twenty (20) Years
- Stainless Steel/1-Phase Models
- Residential Application .....Limited Lifetime

**\*For complete details of the Limited and Conditional Warranties, including applicable terms and conditions, contact your local contractor or the Manufacturer for a copy of the product warranty certificate.**

**Conditional Parts (Registration Required)**

- 13 & 14 SEER, 1 Phase,
- Residential Applications .....Ten (10) Years

**Compressor**

- 1 Phase, Residential Applications .....Ten (10) Years
- 1 & 3 Phase, Commercial Applications .....Five (5) Years

**Parts**

- 16 SEER, 1 Phase, Residential Applications ..Ten (10) Years
- 1 & 3 Phase, Commercial Applications .....One (1) Year





Air

Notes

RRNL/RRPL/RRRL Series





Air

Notes

RRNL/RRPL/RRRL Series





Air

Notes

RRNL/RRPL/RRRL Series



INTEGRATED AIR & WATER



The new degree of comfort.™

*In keeping with its policy of continuous progress and product improvement, Rheem reserves the right to make changes without notice.*

Rheem Heating, Cooling & Water Heating • P.O. Box 17010  
Fort Smith, Arkansas 72917 • [www.rheem.com](http://www.rheem.com)

Rheem Canada Ltd./Ltée • 125 Edgeware Road, Unit 1  
Brampton, Ontario • L6Y 0P5



INTEGRATED AIR & WATER

PRINTED IN U.S.A 12/12 DC FORM NO. R11-850