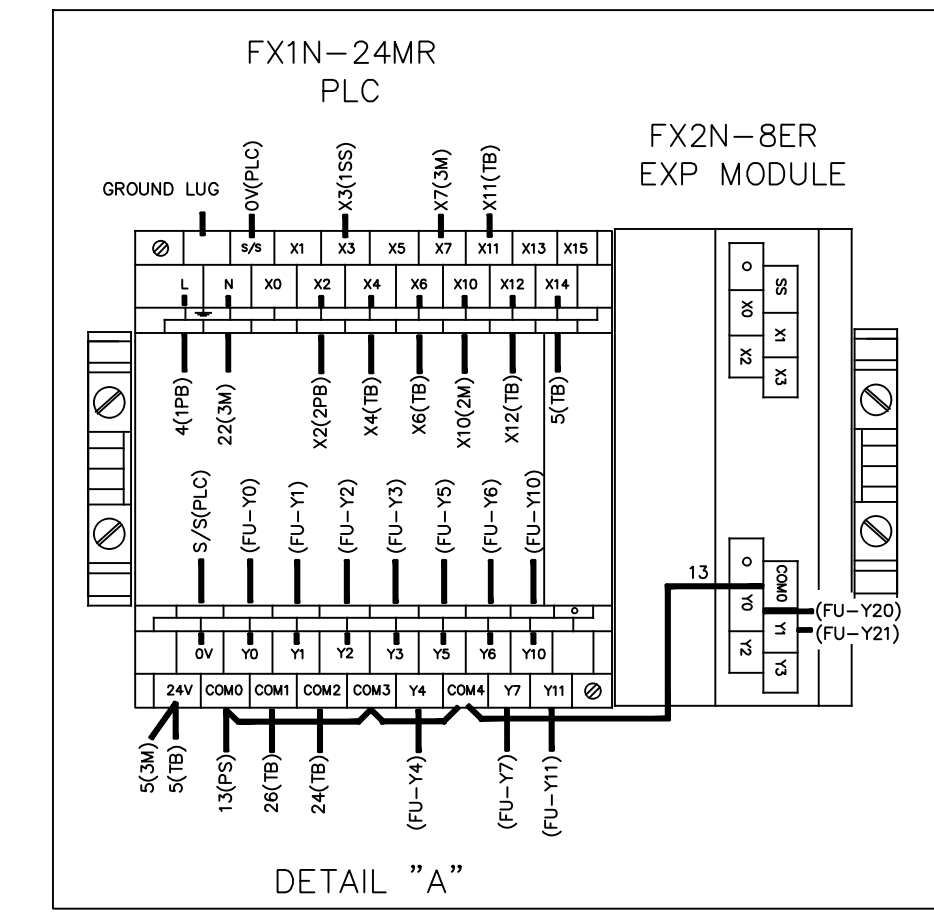
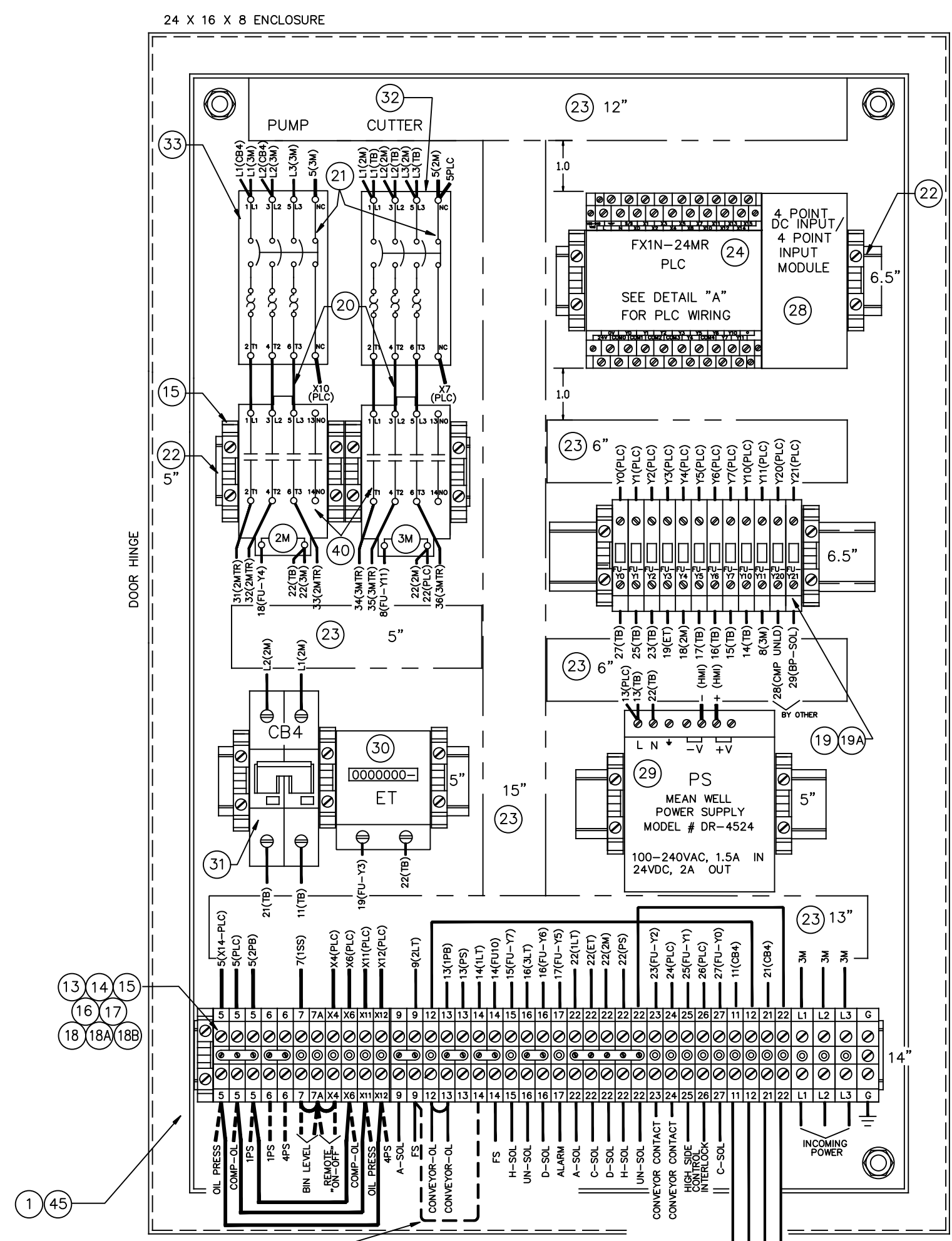
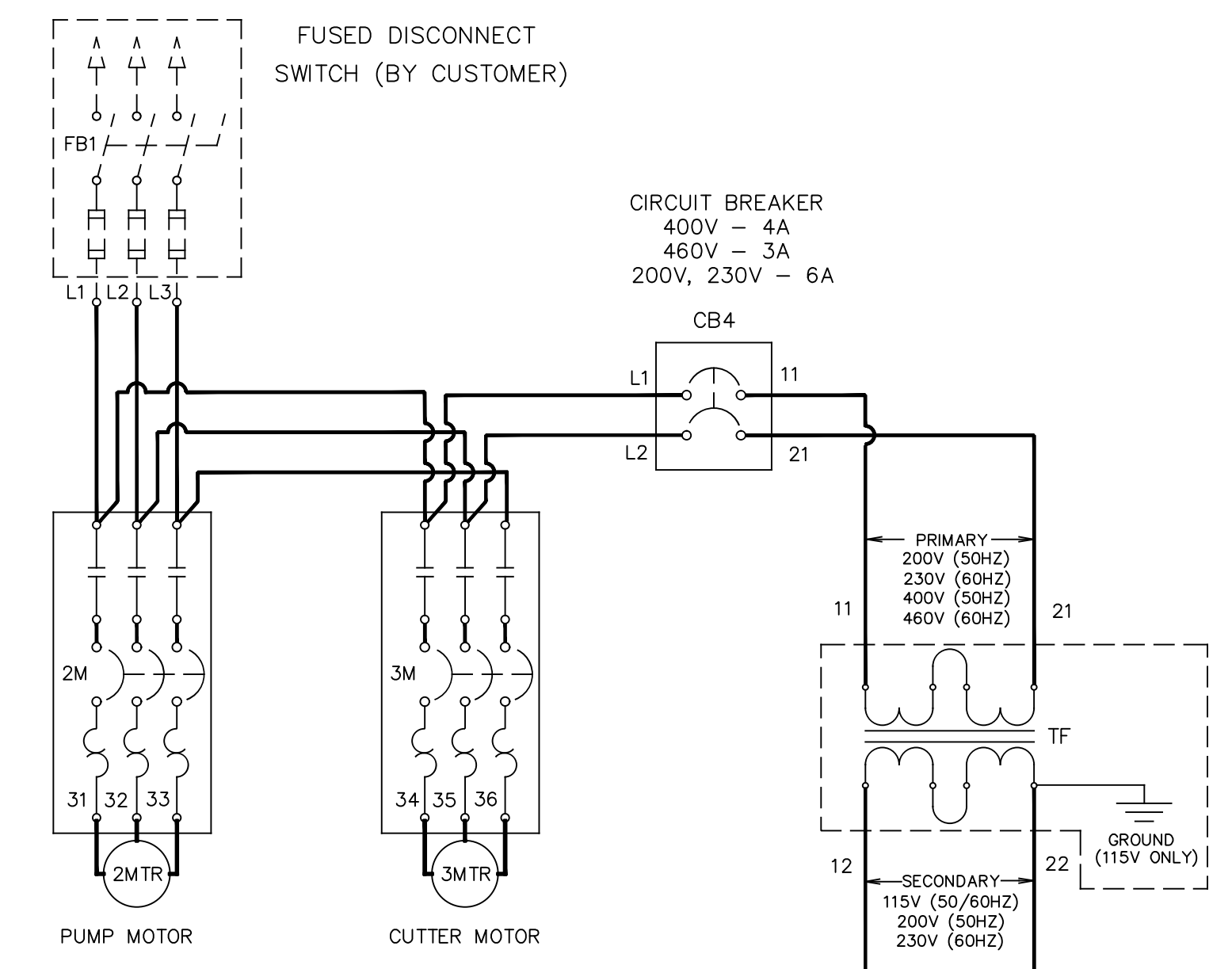


REVISION RECORD				
NO	DATE	FROM	TO	BY
1	12/10/08	ADDED I/O EXP MODULE		MP
2	12/02/09	CHANGE E150 TO E1012, ADD PS, CHANGE AB TO C3 LIGHTS, COMBINE START/HARVEST BTN		MP
3	03/12/12	ADD WASHDOWN DUTY, CRUSHED ICE OPTION		MP
4	05/11/12	ITEM 6 WAS 12A750E57		MR
5	12/15/15	MULTIPLE TB CHANGES		MP

- CUTTER MOTOR - 12A290M0508
1/2HP
208-230V, 1.9-1.84A, 3PH, 60HZ
460V, 0.92A, 3PH, 60HZ
190V, 2.1A, 3PH, 50HZ
380-415V, 1.05A, 3PH, 50HZ
- CRUSHED ICE CUTTER
1HP
208-230V, 1.9-1.84A, 3PH, 60HZ
460V, 0.92A, 3PH, 60HZ
- 60HZ MACHINES
PUMP MOTOR - 12A402G01
FRANKLIN MOTOR
1 1/2HP
208-230V, 4.5-4.8A, 3PH, 60HZ
460V, 2.4A, 3PH, 60HZ
- EMERSON MOTOR
1 1/2HP
208-230V, 4.4-4.2A, 3PH, 60HZ
460V, 2.1A, 3PH, 60HZ
- 50HZ MACHINES
PUMP MOTOR - 12A402G08
FRANKLIN MOTOR
2HP
190V, 6.4A, 3PH, 50HZ
380-415V, 3.2-3.6A, 3PH, 50HZ
- EMERSON MOTOR
2HP
190V, 6.6A, 3PH, 50HZ
380-415V, 3.3-3.5A, 3PH, 50HZ



- LEGEND**
- FS - FREEZER FLOAT SWITCH
 - A-SOL - AUX EQUIPMENT OIL
 - A-SOL - LIQUID FEED SOLENOID VALVE
 - BIN LEVEL - BIN LEVEL CONTROL (CUSTOMER SUPPLIED)
 - C-SOL - SUCTION SOLENOID VALVE-N.C. (CUSTOMER SUPPLIED)
 - CB4 - CONTROL CIRCUIT BREAKER (CUSTOMER SUPPLIED)
 - COMP-OL - COMPRESSOR MOTOR OVERLOAD (CUSTOMER SUPPLIED)
 - CUTTER-OL - CUTTER MOTOR OVERLOAD
 - D-SOL - HOT GAS SOLENOID VALVE
 - ET - ELAPSED TIMER
 - FBI - FUSE DISCONNECT (CUSTOMER SUPPLIED)
 - FU-Y0 TO FU-Y13 - PLC OUTPUT FUSES
 - H-SOL - WATER FLUSH SOLENOID
 - PLC - PROGRAMMABLE LOGIC CONTROLLER
 - PUMP-OL - WATER PUMP MOTOR OVERLOAD
 - REMOTE - REMOTE ON/OFF SWITCH (CUSTOMER SUPPLIED)
 - SBP-SOL - SUCTION BY-PASS SOLENOID (CUSTOMER SUPPLIED)
 - 20A - 2 AMP, 250V, FAST ACTING
 - 21A - 2 AMP, 250V, FAST ACTING
 - CONNECTOR FOR STARTER/CONTACTOR
 - UN-SOL - COMPRESSOR UNLOADER SOLENOID
 - 1LT - HARVEST (THAWING) CYCLE LIGHT
 - 2LT - AMMONIA FEED LIGHT
 - 3LT - FREEZE CYCLE LIGHT
 - 2M - PUMP MOTOR STARTER
 - 3M - CUTTER MOTOR STARTER
 - 2M-OL - PUMP MOTOR OVERLOAD
 - 3M-OL - CUTTER MOTOR OVERLOAD
 - 2MTR - PUMP MOTOR
 - 3MTR - CUTTER MOTOR
 - 1PB - "E-STOP" PUSH BUTTON
 - 2PB - "START" PUSH BUTTON
 - 3PB - "MANUAL HARVEST" BUTTON
 - 1PS - LOW PRESS SAFETY SWITCH (CUSTOMER SUPPLIED)
 - 4PS - HIGH PRESS SAFETY SWITCH (CUSTOMER SUPPLIED)
 - 1SS - SELECTOR SWITCH (CLEAN/OFF/ICE)

BILL OF MATERIAL

PANEL NO.	NO.	PART NO.	DESCRIPTION	QTY.
19T2120M09	1	12A2135M02	ENCLOSURE INSERT, HOFFMAN	1
	2	12A2226D1106	SCREW, 8-32 X 1/2	26
	3	12A3000D27	VOGT NAMEPLATE	1
	4	12A4171T19	STICKERS, LEGEND PLATE STICKERS, MID SIZE MACHINE	1
	4A	12A4171T80	STICKERS, LEGEND PLATE STICKERS, LARGE MACH. PANEL	1
	5	12A7500E56	PUSH BUTTON, MOMENTARY, GREEN (START/HARVEST)	1
	6	12A7500E130	PUSH BUTTON STOP (MUSHROOM) PUSH-PULL, RED	1
	8	12A7500E61	SELECTOR SWITCH, 3 POSITION, BLACK	1
	9	12A7500E73	CONTACT BLOCK, 2 N.O.	1
	10	12A7500E75	CONTACT BLOCK, 1 N.O.	1
	11	12A7500E76	CONTACT BLOCK, 1 N.C.	1
	12	12A7500E78B	BLUE LED LIGHT MODULE W/MNT LATCH, 20-240V AC/DC	1
	12A	12A7500E78R	RED LED LIGHT MODULE W/MNT LATCH, 20-240V AC/DC	1
	12B	12A7500E78W	WHITE LED LIGHT MODULE W/MNT LATCH, 20-240V AC/DC	1
	13	12A7501E46	TERMINAL BLOCK, #22-#8	38
	14	12A7501E47	TERMINAL BLOCK GROUND	1
	15	12A7501E48	TERMINAL BLOCK, #14-#4	3
	16	12A7501E49	TERMINAL BLOCK END STOP	12
	17	12A7501E50	TERMINAL BLOCK END SECTION	1
	18	12A7501E52	TERMINAL BLOCK CENTER JUMPER, 2-POLE	5
	18A	12A7501E53	TERMINAL BLOCK CENTER JUMPER, 3-POLE	1
	18B	12A7501E54	TERMINAL BLOCK CENTER JUMPER, 10-POLE	1
	19	12A7502E09	FUSED TERMINAL BLOCK	12
	19A	12A7504E23	FUSE, 2 AMP, 250V, FAST ACTING	12
	20	12A7505E21	CONNECTOR FOR STARTER/CONTACTOR	2
	21	12A7518E3JUL	AUX CONTACT, 6AMP, 1 NO (FOR 140 MN)	2
	22	12A7534R01	DIN RAIL, 35MM X 7.5MM - CUT TO LENGTH	37
	23	12A7535D05	WIRING DUCT / COVER 1" X 3" - CUT TO LENGTH	57
	24	12A7536M02	PROGRAMMABLE LOGIC CONTROLLER	1
25	12A7536M05	INTERFACE CABLE FOR PLC	1	
26	12A7536M08	INTERFACE FOR PLC, E1012	1	
28	12A7536M09	4 POINT DC INPUT / 4 POINT RELAY OUTPUT MODULE	1	
29	12A7537E03	24VDC POWER SUPPLY, 100-240VAC INPUT	1	

50HZ OR 60HZ POWER	50HZ	30	12B7503E20	ELAPSED TIMER (DIN RAIL MOUNT) 50 HZ	1
	60HZ		12B7503E21	ELAPSED TIMER (DIN RAIL MOUNT) 60 HZ	1

MOTOR VOLTAGE	208-230V (60HZ)	31	12A7515E22S	CONTROL CIRCUIT BREAKER, 2 POLE, 6 AMP	1
		32	12A7530E54UL	CUTTER MANUAL MOTOR STARTER, 1.6-2.5A	1
		33	12A7530E56UL	CUTTER MANUAL MOTOR STARTER, 4.0-6.3A (CRUSHED ICE)	1
		31	12A7515E21S	CONTROL CIRCUIT BREAKER, 2 POLE, 3 AMP	1
		32	12A7530E52UL	CUTTER MANUAL MOTOR STARTER, 0.63-1.0A	1
		33	12A7530E55UL	PUMP MANUAL MOTOR STARTER, 2.5-4.0A	1
		31	12A7515E33S	CONTROL CIRCUIT BREAKER, 2 POLE, 4 AMP	1
		32	12A7530E53UL	CUTTER MANUAL MOTOR STARTER, 1.0-1.6A	1
		33	12A7530E55UL	PUMP MANUAL MOTOR STARTER, 2.5-4.0A	1
		31	12A7515E22S	CONTROL CIRCUIT BREAKER, 2 POLE, 6 AMP	1
		32	12A7530E54UL	CUTTER MANUAL MOTOR STARTER, 1.6-2.5A	1
		33	12A7530E57UL	PUMP MANUAL MOTOR STARTER, 6.3-10.0A	1

CONTROL CIRCUIT VOLTAGE	200/208-240V	40	12A7516E23	CONTACTOR, 9A, 3 POLE, W/1NO AUX, 208/240V COIL	2
	120V		12A7516E40	CONTACTOR, 9A, 3 POLE, W/1NO AUX, 120V COIL	2

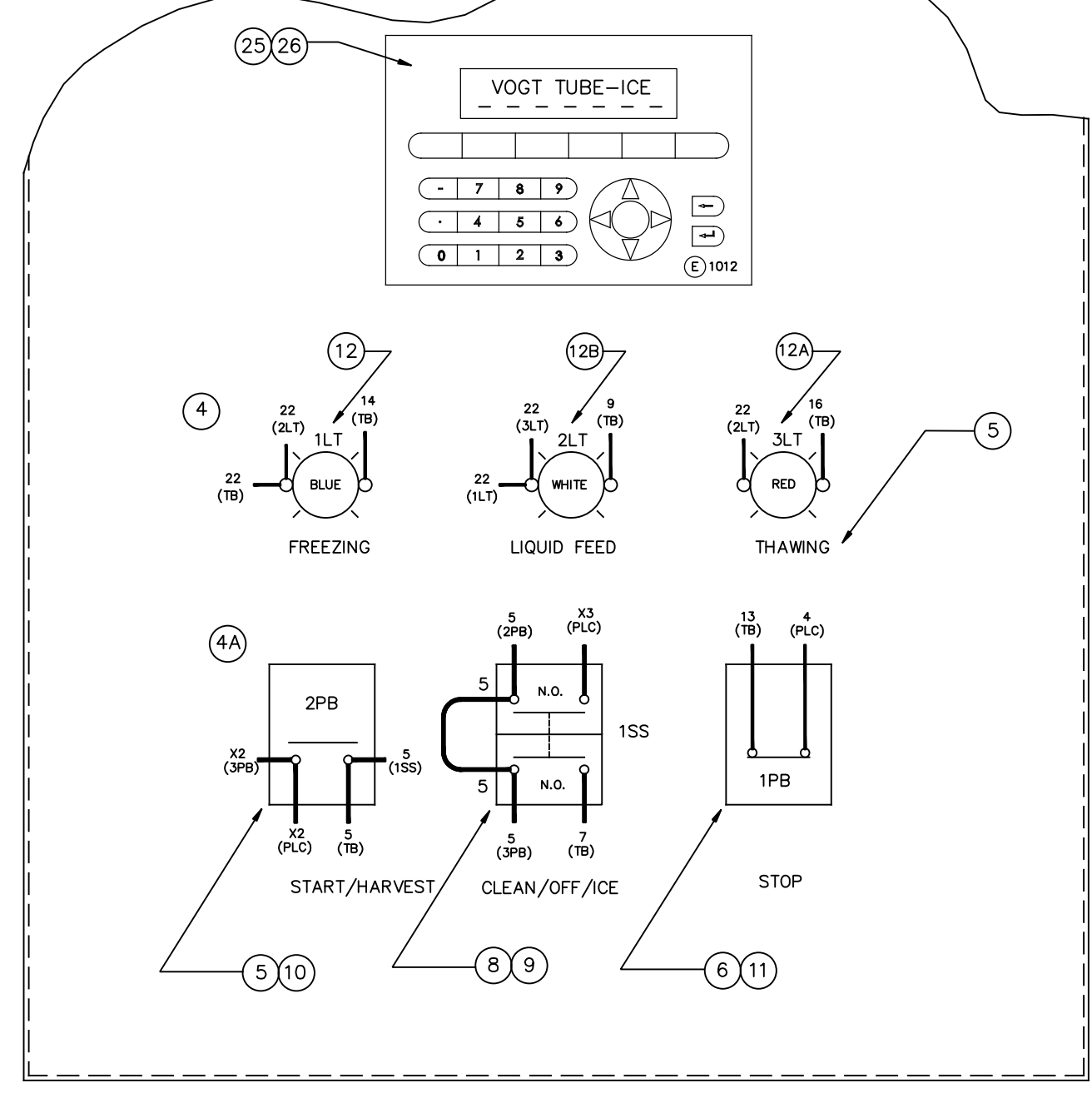
ENCLOSURE	45	12A2125M04	ENCLOSURE, 24 X 16 X 8	1
		12A2125M04SS	ENCLOSURE, 24 X 16 X 8, STAINLESS STEEL	1

NOTE: CONTROL PANEL NUMBERS ENDING WITH "SS" USE STAINLESS STEEL ENCLOSURE

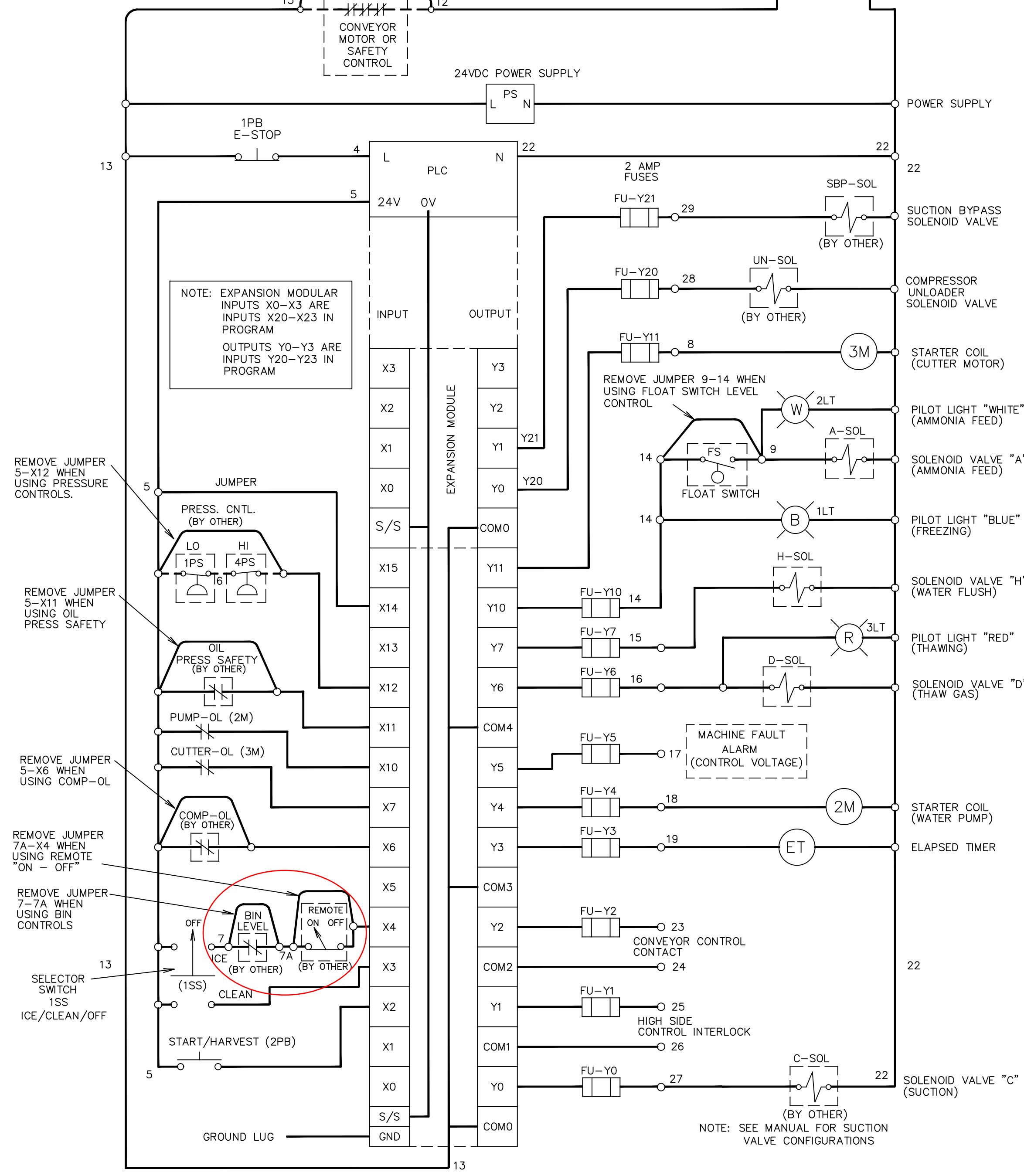
CONTROL VOLTAGE		MOTOR VOLTAGE	
208/230V	120V	208/230V, 60 HZ	
19T2120M0901	19T2120M1001		
19T2120M0901SS	19T2120M1001SS		
19T2120M0901SSC			
19T2120M0902	19T2120M1002	460V, 60 HZ	
19T2120M0902SS	19T2120M1002SS		
19T2120M0903	19T2120M1003	400V, 50 HZ	
19T2120M0903SS	19T2120M1003SS		
19T2120M0904	19T2120M1004	200V, 50 HZ	
19T2120M0904SS	19T2120M1004SS		

NOTE: PANELS ENDING WITH "SS" HAVE STAINLESS ENCLOSURE
PANELS ENDING WITH "SSC" HAVE STAINLESS ENCLOSURE WITH CRUSHED ICE CUTTER

INSTALLATION NOTE
MAIN FUSED DISCONNECT TO BE PROVIDED BY OTHERS
USE COPPER CONDUCTORS RATED 60°C
TORQUE POWER TERMINAL BLOCK SCREWS (L1-L3) TO 18-20 LB-IN
TORQUE GROUND TERMINAL BLOCK SCREWS (G) TO 15.9 LB-IN
TORQUE COMPONENT TERMINAL BLOCK SCREWS TO 12.2-13.4 LB-IN



NOTE:
LOW VOLTAGE CONTROL WIRING (24VDC) - #18 AWG, 600V, BLUE WIRE
HIGH VOLTAGE CONTROL WIRING (120V OR 200/230V) - #14 AWG, 600V, RED WIRE
GROUNDED CONTROL WIRING (#22 ON 115V CONTROLS) - #14 AWG, 600V, WHITE WIRE
POWER WIRING - #12 AWG, 600V, BLACK WIRE



- REMOVE JUMPER 5-X12 WHEN USING PRESSURE CONTROLS.
- REMOVE JUMPER 7A-X4 WHEN USING OIL PRESS SAFETY
- REMOVE JUMPER 5-X11 WHEN USING OIL PRESS SAFETY
- REMOVE JUMPER 5-X6 WHEN USING COMP-OL
- REMOVE JUMPER 7A-X4 WHEN USING REMOTE ON-OFF
- REMOVE JUMPER 7-X7 WHEN USING BIN CONTROLS

DISTRIBUTION LIST
DRAWING CENTER
ELECTRICIANS
PANEL SHOP

DWN. BY PASSANISI
CKD. BY
RLSD. BY
DATE 7/26/07
SCALE NONE

Vogt VOGT ICE LLC
1000 WEST GRASSY AVE
LOUISVILLE, KY 40210
TEL: 502.635.3000

Tube Ice Turbo

P18AL PLC CONTROL PANEL LAYOUT AND WIRING SCHEMATIC
120V & 200-240V CONTROL VOLTAGE
PART NO. - SEE TABLE
DRG. NO. 81792 SHEET 1 OF 1 D