

S-5570-2

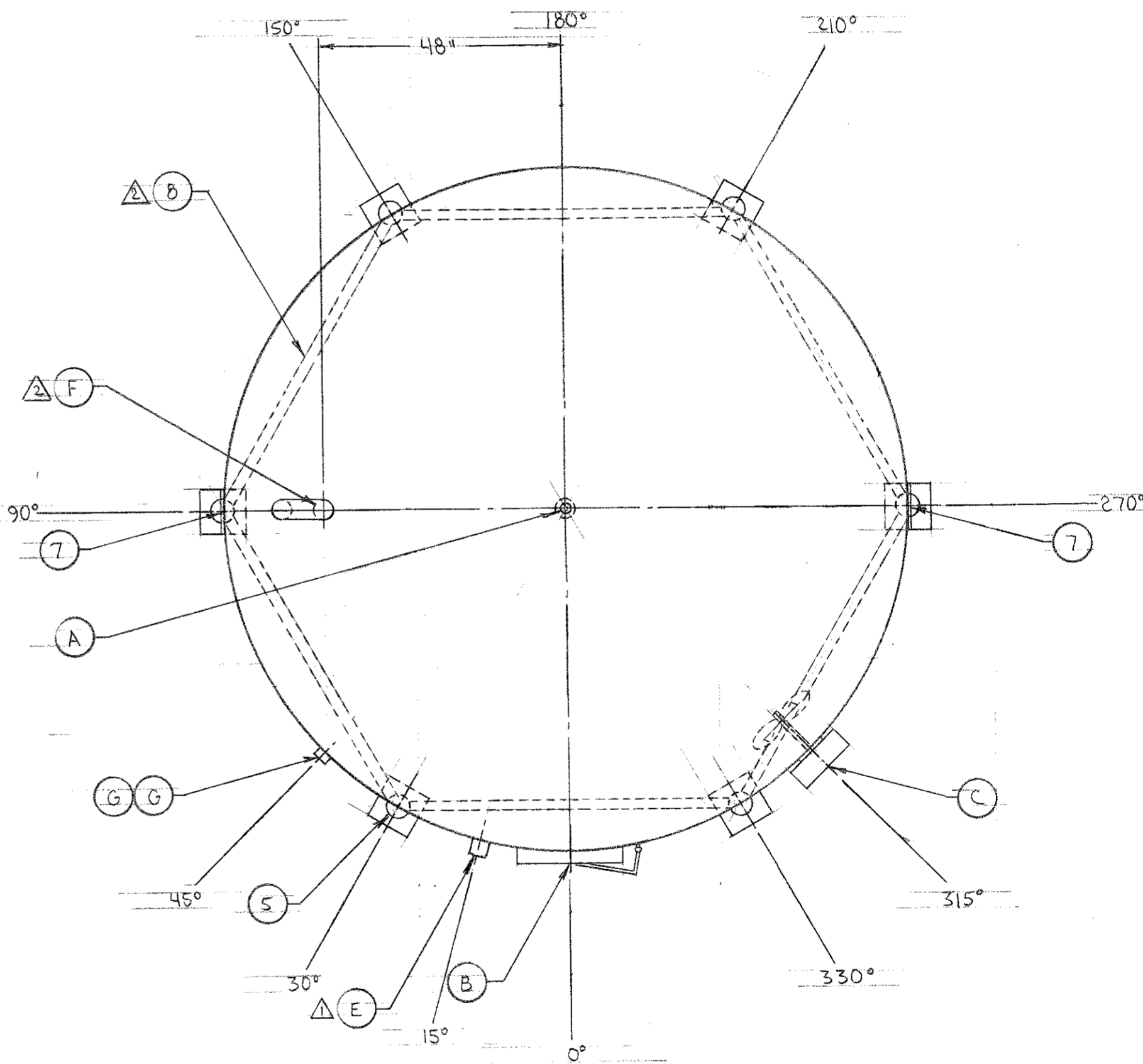
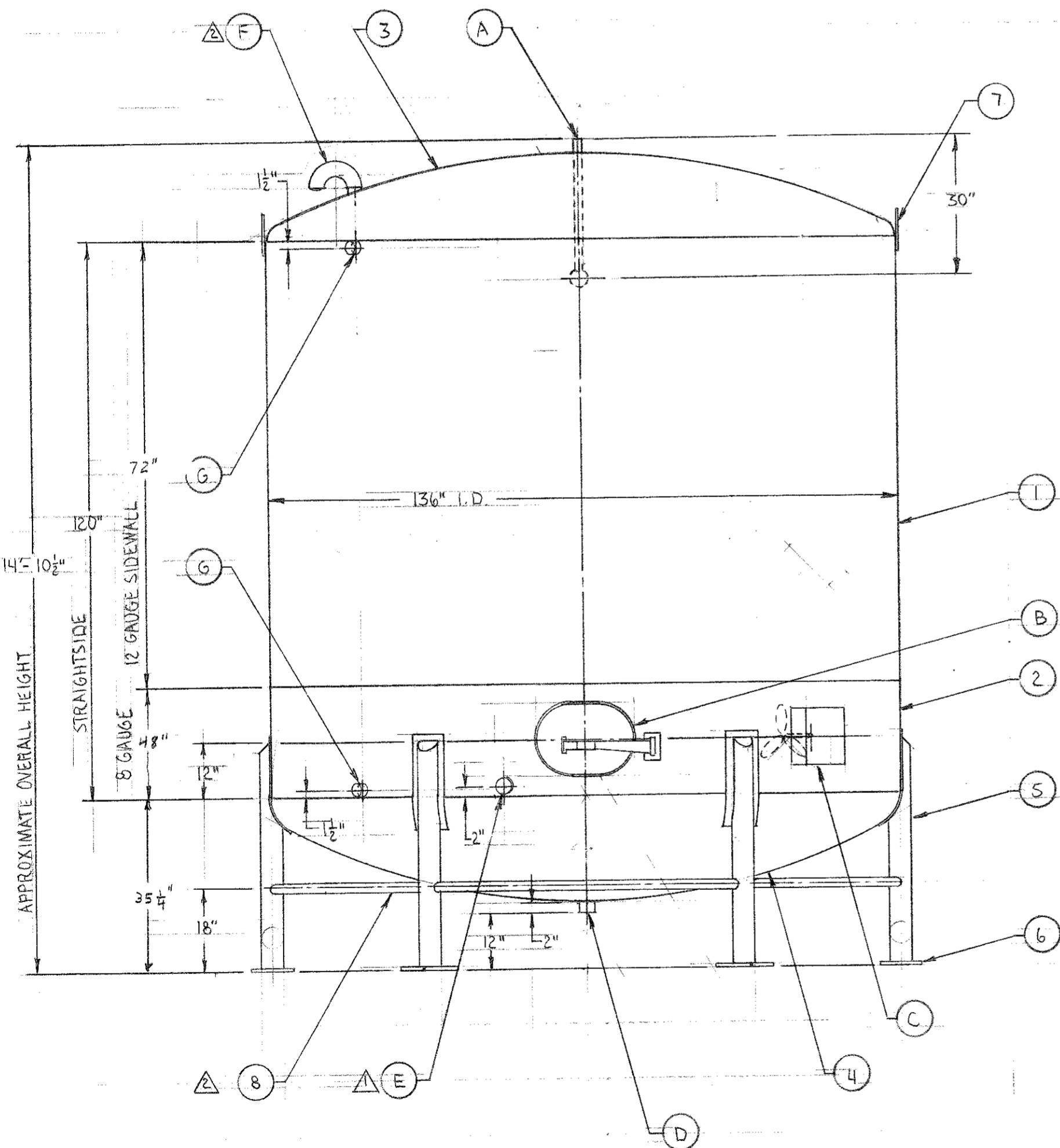
BILL OF MATERIALS

NO	DESCRIPTION	REQ'D
1	SHELL, TOP--12 GAUGE T304 STN STL SIDEWALL ON TOP 8 FT OF SHELL	1
2	SHELL, BOTTOM--8 GAUGE T304 STN STL SIDEWALL ON BOTTOM 2 FT OF SHELL	1
3	TOP HEAD--10 GAUGE T304 STN STL SPUN FLANGED & DISHD HEAD, 150" DIA, 4" RIBBLE RADIUS, 18 1/2" DEEP	1
4	BOTTOM HEAD--8 GAUGE T304 STN STL AGMC TYPE SPUN FLANGED & DISHD HEAD WITH 8 1/4" RIBBLE RADIUS	1
5	LEGS--4" CARBON STEEL SCH 40 PIPE WITH WEAR PADS, PAINTED WHITE	6
6	FLOOR PADS--9" SQUARE 1/2" THICK CARBON STEEL PLATE, PAINTED WHITE	6
7	LIFTING EYES--8 GAUGE T304 STN STL PER DWG # S-5281-B	2
8	LEG BRACING--1 1/2" BLACK IRON PIPE 69" LONG, PAINTED WHITE	6

BILL OF FITTINGS

ITEM	DESCRIPTION	REQ'D
A	C.I.P.--KLENZADE S3-5 SINGLE SPRAYBALL WITH 3" LONG STUB END	1
B	MANHOLE--14 1/2" x 21" OVAL SWING IN/OUT STN STL MANHOLE WITH STN STL HARDWARE & WHITE SANITARY GASKET	1
C	AGITATOR--1 1/2" GEAR HEAD DRIVEN AGITATOR WITH 158 RPM, 24" DIA. THREE BLADE STN STL PROP	1
D	OUTLET--3" SCH 10 STN STL STUB END 2" LONG	1
E	INLET--3" SCH 10 STN STL STUB END 3" LONG	1
F	VENT--3" SCH 10 STN STL 180° SCREENED VENT ELBOW	1
G	LEVEL GAUGE--2" 150# STN STL HALF COUPLINGS CUSTOMER TO INSTALL GAUGE TUBE	2

TANK CONTENTS	APPLE JUICE
SP. GR.	CAPACITY 8396 GALLONS THEOR
OPERATING PRESS.	ATMOSPHERIC
DESIGN PRESS.	ATMOSPHERIC
TEST PRESS.	DYE CHECK
MAX ALLOW PRESS.	ATMOSPHERIC
DESIGN CODE	N/A
STAMPING REQ'D.	NONE
SAFETY/RELIEF DEVICES & SETTING	ATMOSPHERIC BY CUSTOMER
HEAT TRANSFER MEDIA & DUTY	
AGITATOR DESIGN AND DUTY	



TANK FINISH: T304 STN STL, #2B MILL FINISH, WELDS RIBBON CLEANED INSIDE & OUTSIDE

REVISION	DATE	REVISION & USE RECORD
1	5/20/83	ADDED SCREENED VENT ELBOW, ITEM F, & LEG BRACING, ITEM B
2	5/6/83	CHANGED FROM FLAT TOP HEAD & DELETED TOP REINFORCING; MOVED ITEM E, INLET FROM TOP HEAD



TAVARES, FLORIDA 32778

SCALE: 1/2" = 1'-0"	DRAWN BY: STEVE BURTON	CHECKED BY:
SUPSEDES: S-5570-1	DATE: 4-29-83	DATE:

FOUR 8000 GALLON VERTICAL SINGLE SHELL TAN

JOB	NATIONAL FRUIT PRODUCT CO., WINCHESTER, VA.	DRAWING	S-55
-----	---	---------	------

NOTE--DO NOT SCALE THIS DRAWING!