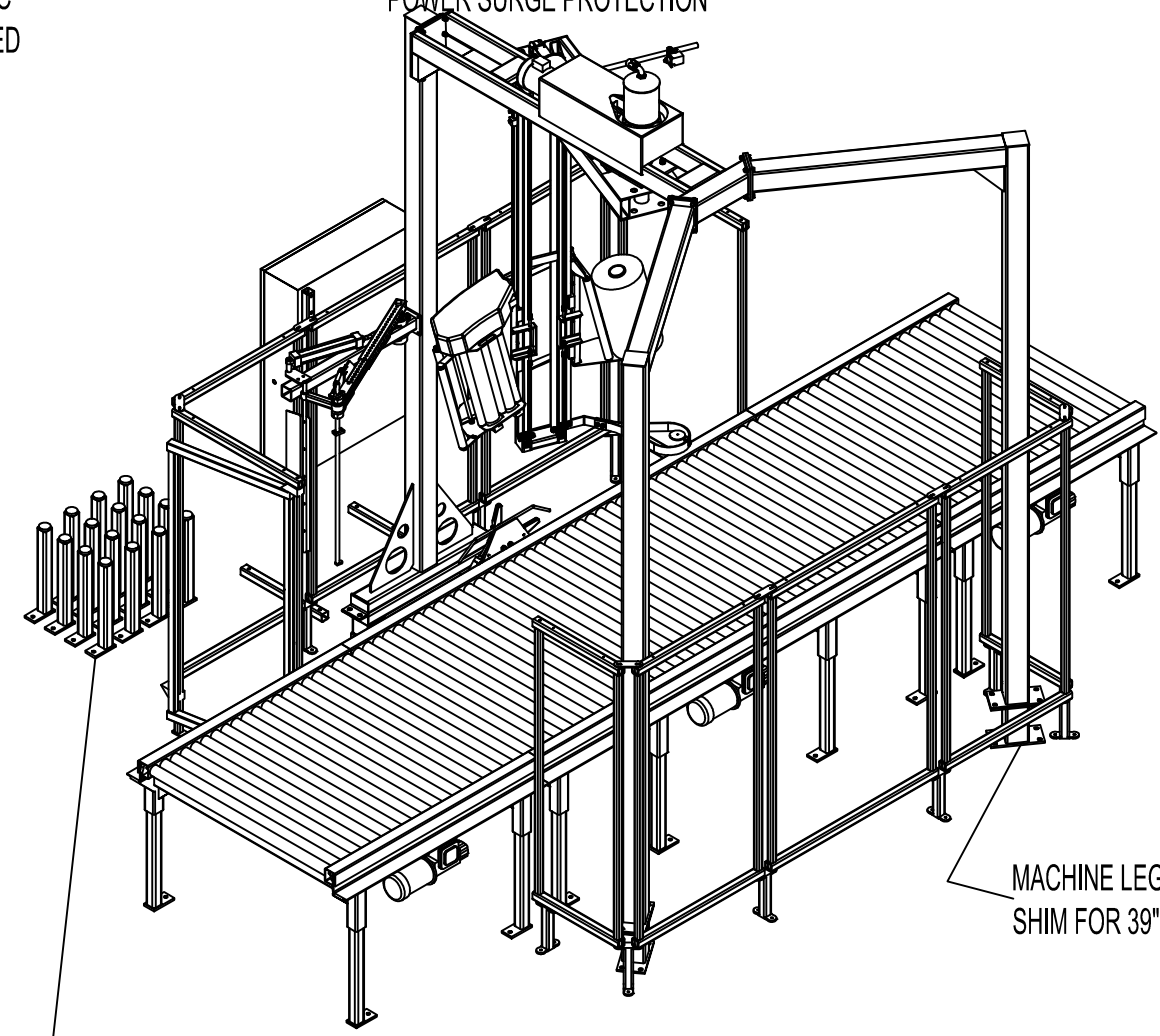
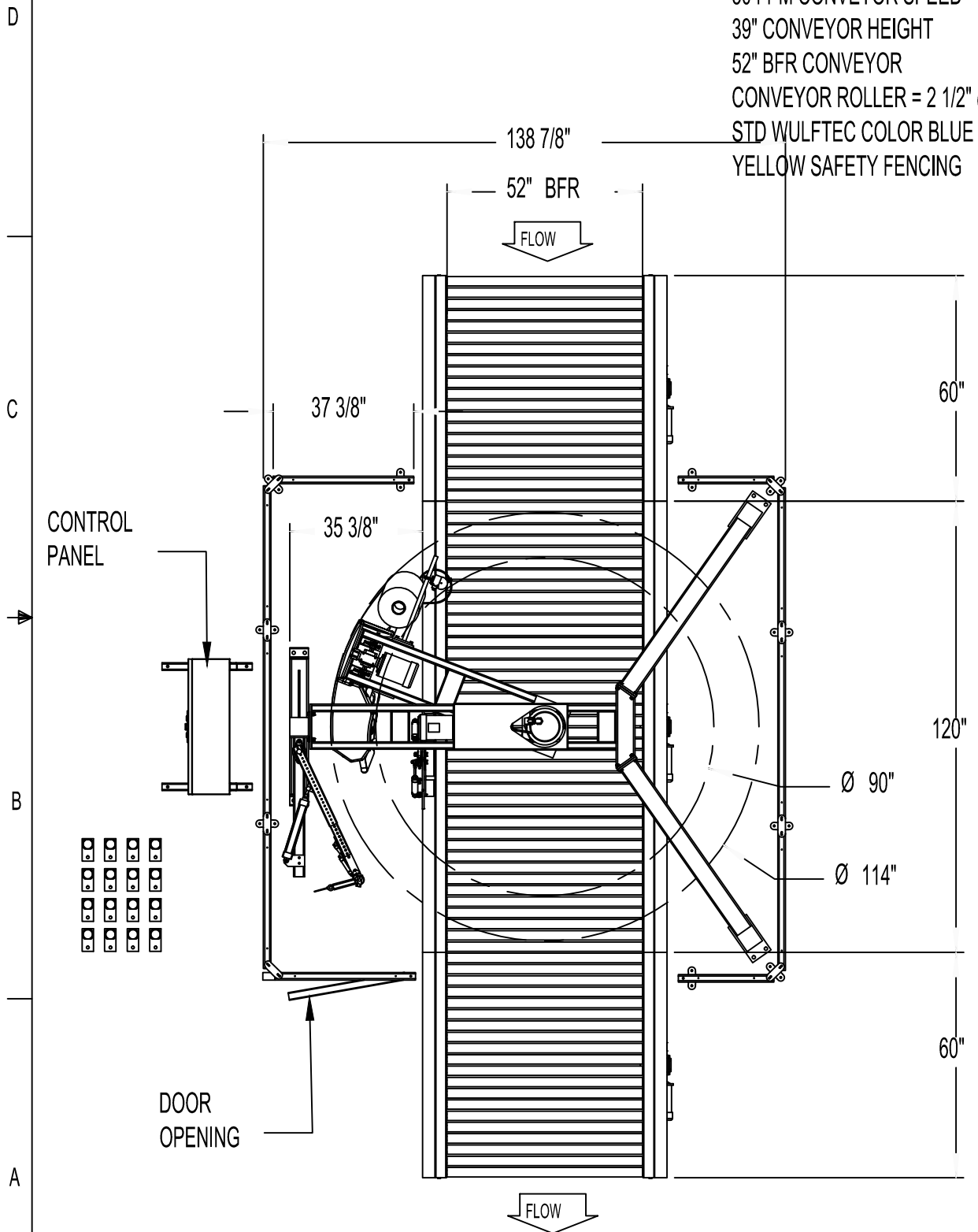


THE INFORMATION CONTAINED IN THIS DRAWING IS THE SOLE PROPERTY OF WULFTEC INTERNATIONAL. ANY REPRODUCTION IN PART OR WHOLE WITHOUT THE WRITTEN PERMISSION OF WULFTEC INTERNATIONAL IS PROHIBITED.

CARRIAGE = NTPS-20" RH, 200% PRESTRETCH
 80" MAX WRAP HEIGHT
 172" MAX MACHINE HEIGHT
 30 FPM CONVEYOR SPEED
 39" CONVEYOR HEIGHT
 52" BFR CONVEYOR
 CONVEYOR ROLLER = 2 1/2" @ 3" C/C
 STD WULFTEC COLOR BLUE AND RED
 YELLOW SAFETY FENCING

POWER SUPPLY = 460VAC/3PH/60HZ (TRANSFORMER)
 PLC = ALLEN BRADLEY 5/05 WITH ETHERNET PORT
 SIEMENS MICROMASTER @ 230 VAC VFD'S FOR WRAPPER
 VFD'S FOR CONVEYOR
 SIEMENS TOUCH SCREEN INTERFACE
 BEACON FOR LOW FILM
 POWER SURGE PROTECTION



Revision Number	Revision Date	Done By	Revision Description

UNLESS OTHERWISE SPECIFIED
 DIMENSIONS ARE IN INCHES
 TOLERANCES ARE:
 FRACTIONS DECIMALS ANGLES
 ±1/32 .XX±.01 ±1°
 .XXX±.005

CAD GENERATED DRAWING. DO NOT MANUALLY UPDATE	
APPROVALS	DATE
DRAWN pascalg	2003/03/19
CHECKED	
RESP ENG	
APPROX WEIGHT (LBS)	12203.2

APPROVED BY (signature)	
PRINT NAME IN BLOCK LETTERS	
DATE (M/D/Y)	

WULFTEC INTERNATIONAL

Wulftec#WCRT0125-00032

SIZE A	Cad File:	REV. 0
Scale 1:52	SHEET 1 OF 1	

DO NOT SCALE DRAWING